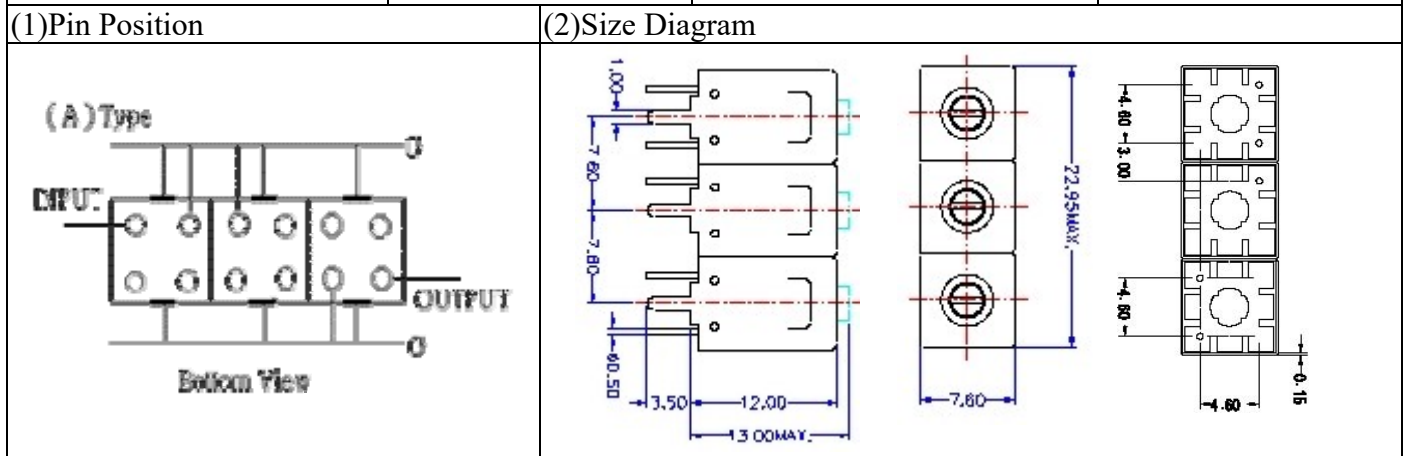


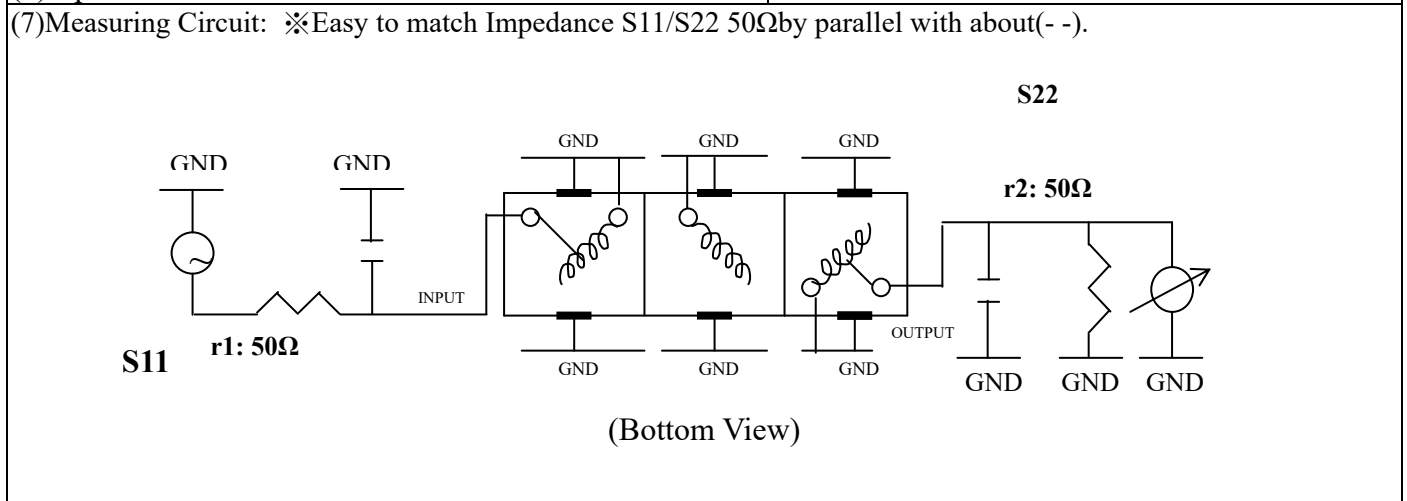
VHF UHF Helical Filter Specification Sheet

Customer Name		Temwell's Part No.	TT63633A-685M
Approval No. /dated	201611026CD	Temwell's Print name	63633A 685M
Work Instruction No.	201611026CD	Date	Jan.06.2017



(3) Electric Chararistic					
Item		Specify		Performance	
Center Freq.(Fo) +/- 0.5 %		685 MHz		685 MHz	
Insertion Loss		Typ. 3.5 dB		2.98 dB	
-3 dB Bandwidth		Typ. 10 MHz		16.7 MHz	
Sensitivity (Attenuation)	Fo - 20 MHz	Typ. 20 dB		24 dB	
	Fo +20 MHz	Typ. 15 dB		19 dB	
	Fo - ()MHz	Typ. dB		dB	
	Fo +()MHz	Typ. dB		dB	
Return Loss		Min. 12 dB		22.2 dB	
Ripple		< 1 dB		dB	
Impedance		In / Out : 50 Ω		In / Out : 50 Ω	
(4) Torque for Tuning Screw		> 60gf • cm			

(5) Temperature Condition:	
Operating Temperature	0°C ~ +60°C
Storage Temperature	-20°C ~ +70°C
(6) Input Power	> 1Watt

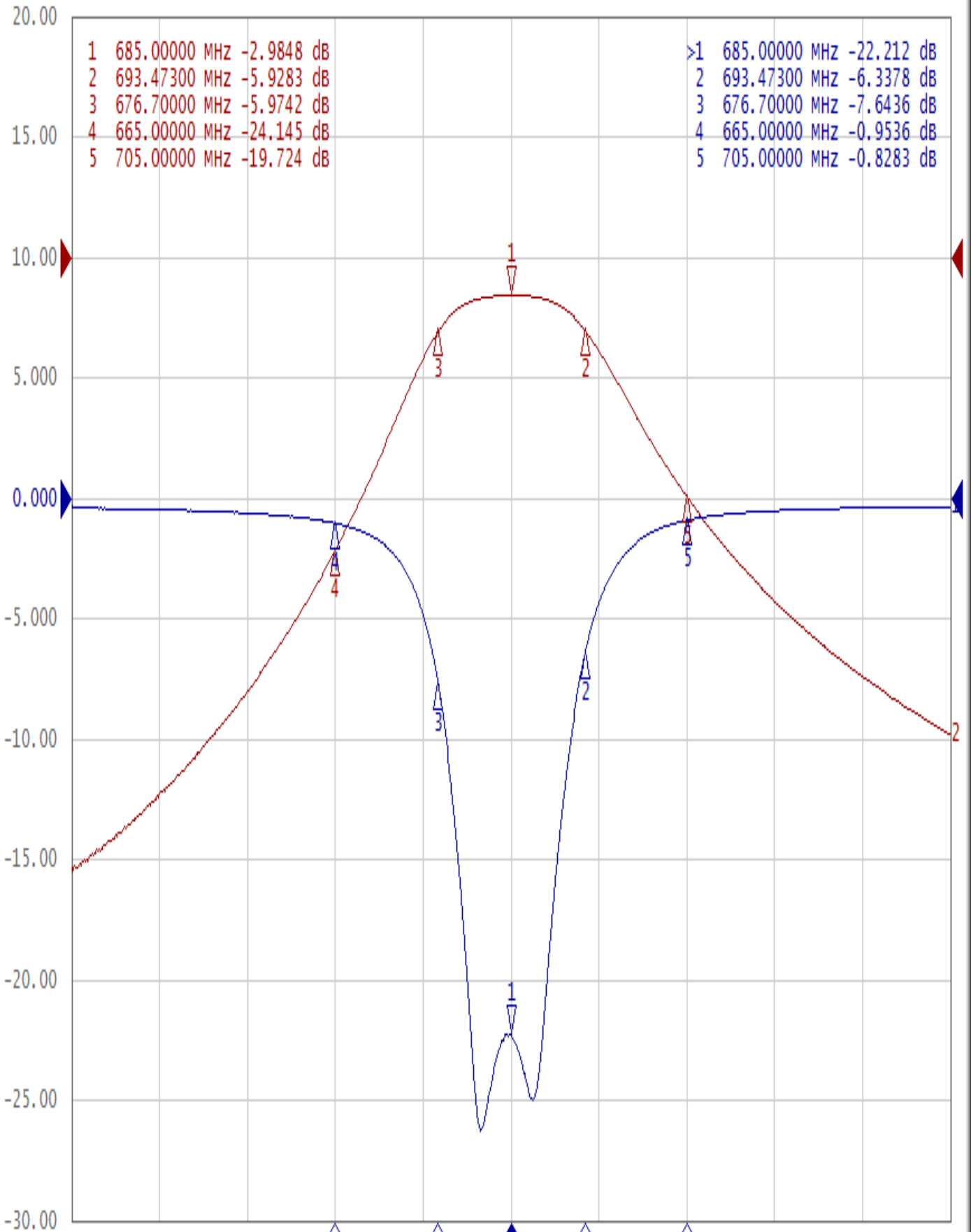


Approval C.Y.Chang	Supervisor C.K.Chang	Designer P.H.Chiang	Aperture size 7H3S(4*5.35)(5.39) 7H046LB4.3 聚 3
TEMWELL CORPORATION			

Performance-TT63633A-685M

201611026CD

Tr1 S11 Log Mag 5.000dB/ Ref 0.000dB [F2]
Tr2 S21 Log Mag 10.00dB/ Ref 0.000dB [F2]



1 Center 685 MHz

IFBW 70 kHz

Span 100 MHz Cor!