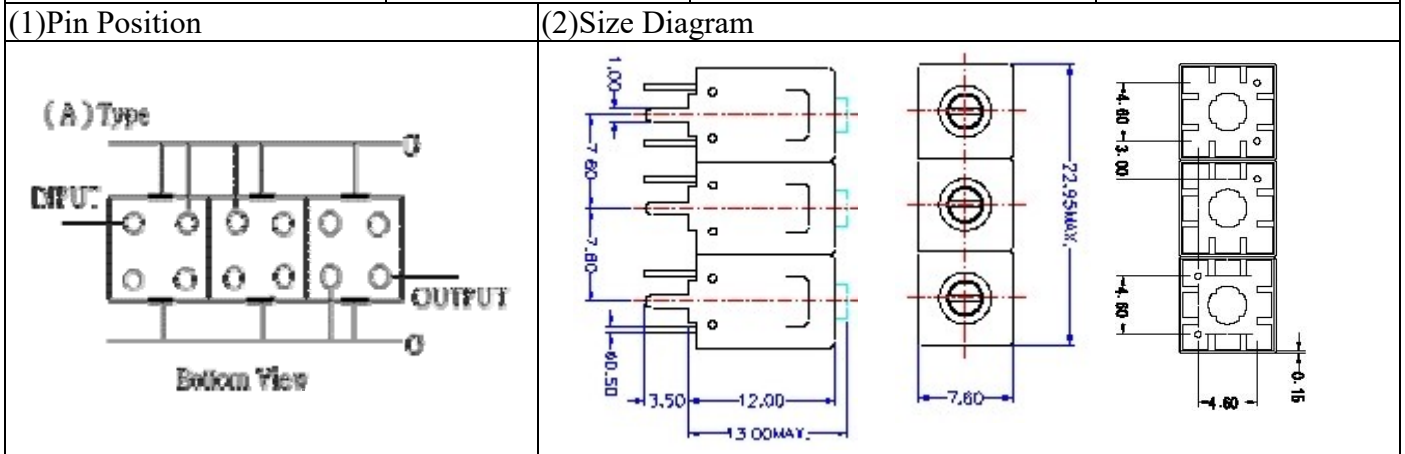


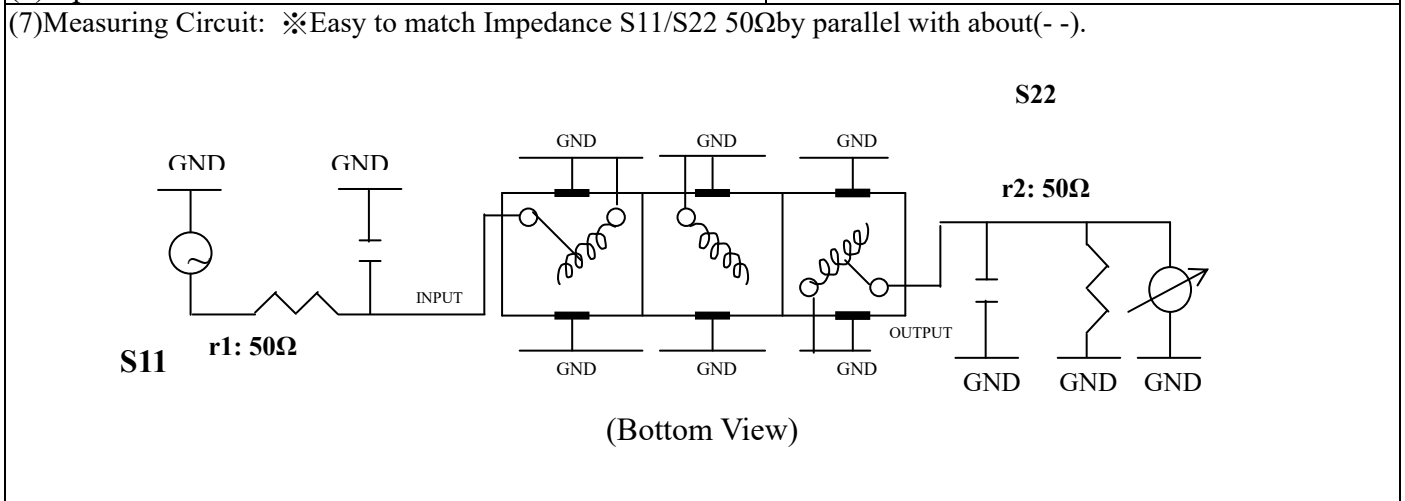
VHF UHF Helical Filter Specification Sheet

Customer Name		Temwell's Part No.	TT63621A-565M
Approval No. /dated		Temwell's Print name	63621A 565M
Work Instruction No.	201611014CD	Date	Dec.08.2016



(3) Electric Chararistic					
Item		Specify		Performance	
Center Freq.(Fo) +/- 0.5 %		565 MHz		565 MHz	
Insertion Loss		Typ. 3.5 dB		3.15 dB	
-3 dB Bandwidth		Typ. 10 MHz		13.2 MHz	
Sensitivity (Attenuation)	Fo - 20 MHz	Typ. 30 dB		33 dB	
	Fo +20 MHz	Typ. 25 dB		27 dB	
	Fo - ()MHz	Typ. dB		dB	
	Fo +()MHz	Typ. dB		dB	
Return Loss		Min. 12 dB		24.4 dB	
Ripple		< 1 dB		dB	
Impedance		In / Out : 50 Ω		In / Out : 50 Ω	
(4) Torque for Tuning Screw		> 60gf • cm			

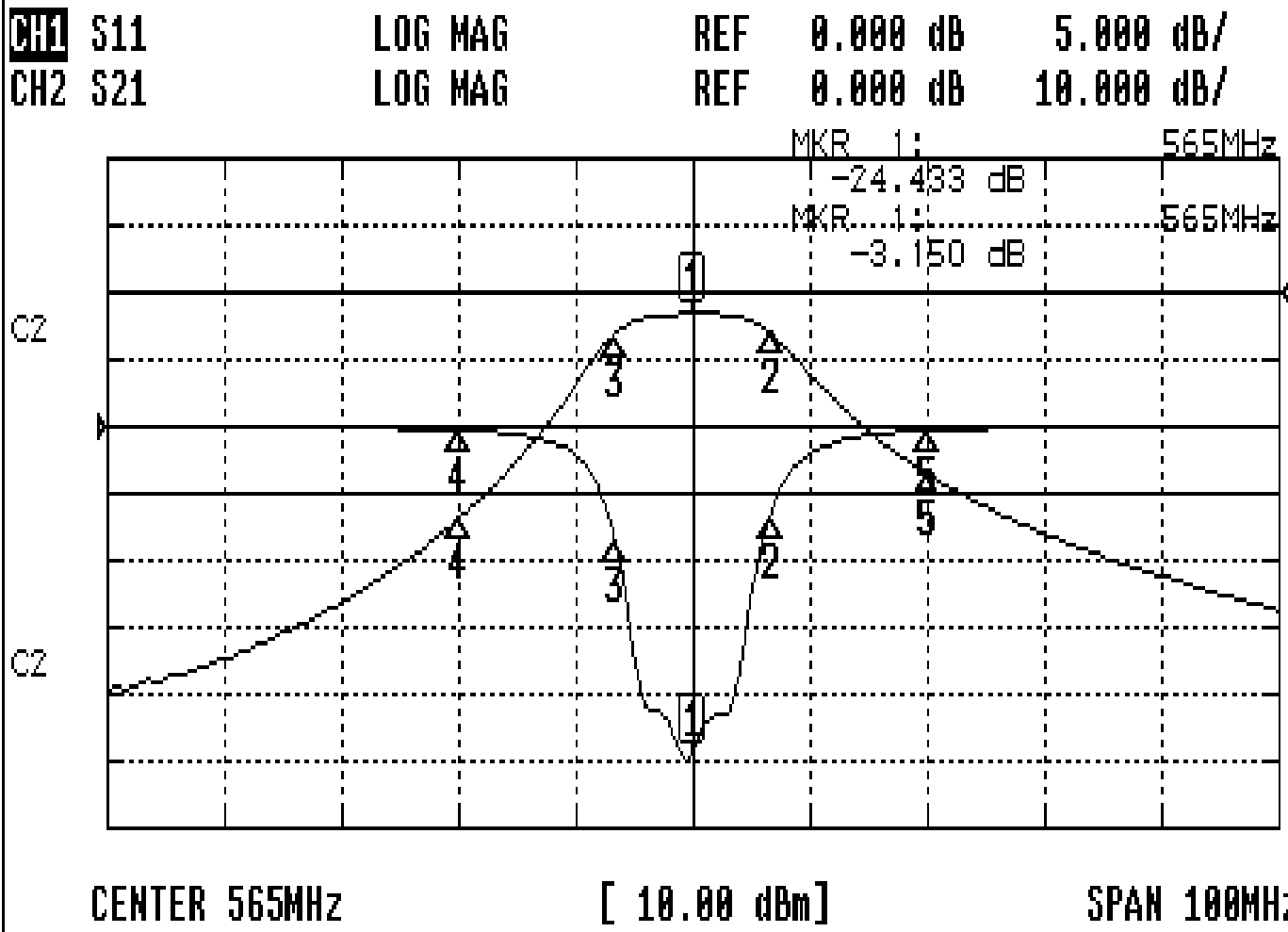
(5) Temperature Condition:	
Operating Temperature	0°C ~ +60°C
Storage Temperature	-20°C ~ +70°C
(6) Input Power	> 1Watt



Approval C.Y.Chang	Supervisor C.K.Chang	Designer M.Y.Kang	Aperture size 7H3S(4*5.5)(5.57) 7H046LB4.3 聚 3
TEMWELL CORPORATION			

Performance-TT63621A-565M

201611014CD



CH1 MARKER LIST

1:	565.000MHz	-24.433	dB
2:	571.666MHz	-6.555	dB
3:	558.416MHz	-8.597	dB
4:	545.000MHz	-0.288	dB
5:	585.000MHz	-0.295	dB
6:			
7:			
8:			
9:			
10:			

CH2 MARKER LIST

1:	565.000MHz	-3.150	dB
2:	571.666MHz	-6.149	dB
3:	558.416MHz	-6.177	dB
4:	545.000MHz	-33.781	dB
5:	585.000MHz	-27.048	dB
6:			
7:			
8:			
9:			
10:			