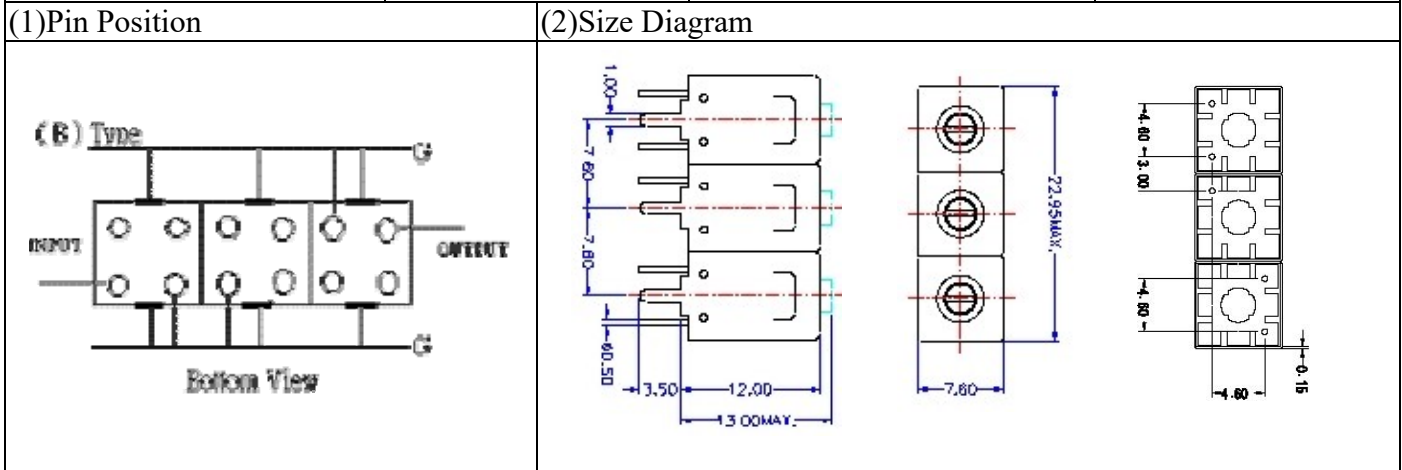


VHF UHF Helical Filter Specification Sheet

Customer Name		Temwell's Part No.	TT63620B-555M
Approval No. /dated		Temwell's Print name.	63620B 555M
Work Instruction No.	201611013CD	Date	Dec.07.2016



(3) Electric Characteristic

Item	Specify	Performance	
Center Freq.(Fo) +/- 0.5 %	555 MHz	555 MHz	
Insertion Loss	Typ. 3.5 dB	3.07 dB	
-3 dB Bandwidth	Typ. 10 MHz	13.4 MHz	
Sensitivity (Attenuation)	Fo - 20 MHz	Typ. 30 dB	34 dB
	Fo + 20 MHz	Typ. 25 dB	27 dB
	Fo - () MHz	Typ. dB	dB
	Fo + () MHz	Typ. dB	dB
Return Loss	Min. 12 dB	18.8 dB	
Ripple	< 1 dB	dB	
Impedance	In / Out : 50 Ω	In / Out : 50 Ω	

(4) Torque for Tuning Screw > 60gf · cm

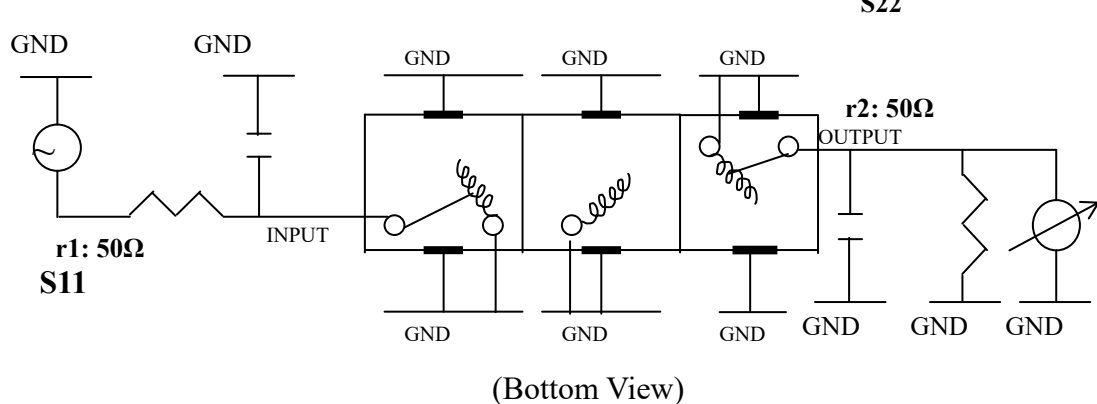
(5) Temperature Condition:

Operating Temperature 0°C ~ +60°C

Storage Temperature -20°C ~ +70°C

(6) Input Power > 1Watt

(7) Measuring Circuit: ※ Easy to match Impedance S11/S22 50Ω by parallel with about(--).



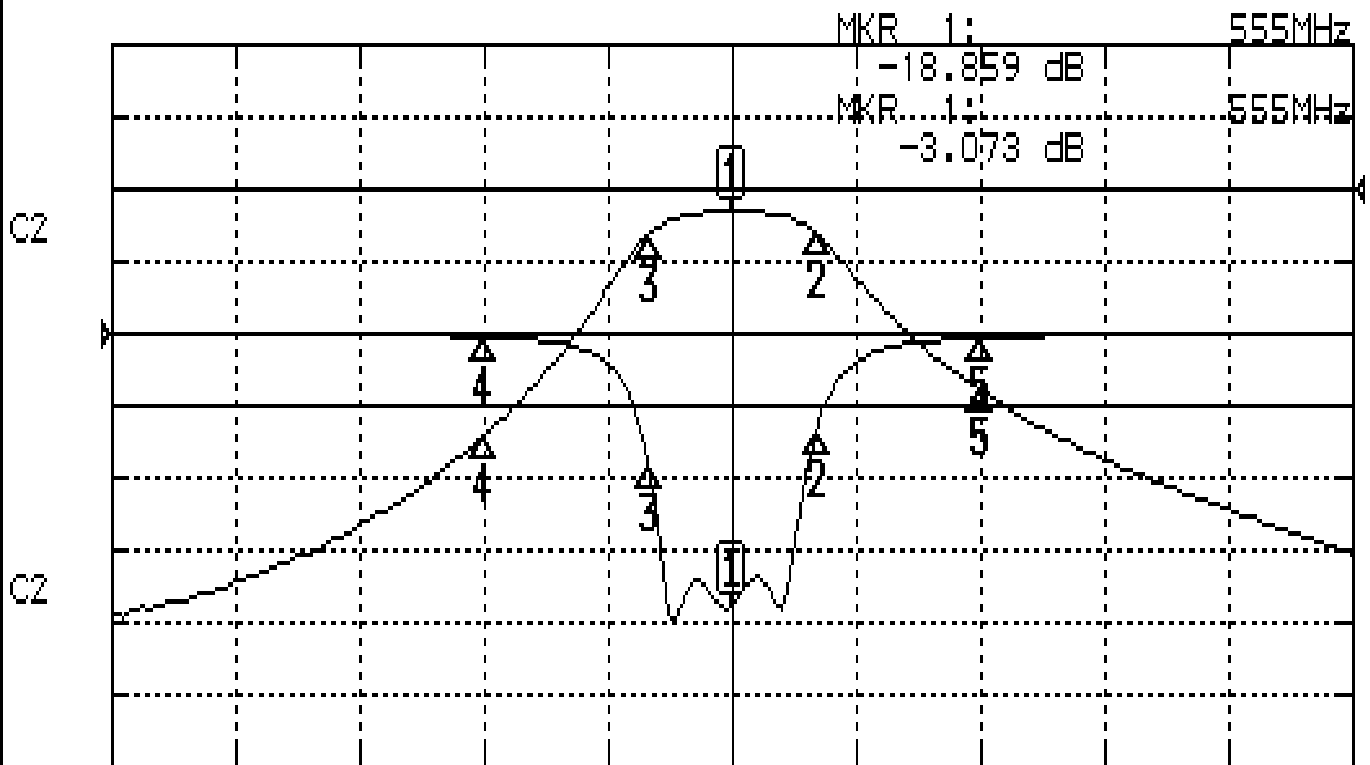
Approval	Supervisor	Designer	Aperture size
C.Y.Chang	C.K.Chang	M.Y.Kang	7H3S(4*5.35)(5.42) 7H046RB4

TEMWELL CORPORATION

Performance-TT63620B-555M

201611013CD

CH1 S11 LOG MAG REF 0.000 dB 5.000 dB/
CH2 S21 LOG MAG REF 0.000 dB 10.000 dB/



CENTER 555MHz

[10.00 dBm]

SPAN 100MHz

CH1 MARKER LIST

1:	555.000MHz	-18.859	dB
2:	561.800MHz	-6.892	dB
3:	548.333MHz	-9.249	dB
4:	535.000MHz	-0.222	dB
5:	575.000MHz	-0.285	dB

CH2 MARKER LIST

1:	555.000MHz	-3.073	dB
2:	561.800MHz	-6.062	dB
3:	548.333MHz	-6.017	dB
4:	535.000MHz	-24.121	dB
5:	575.000MHz	-27.932	dB