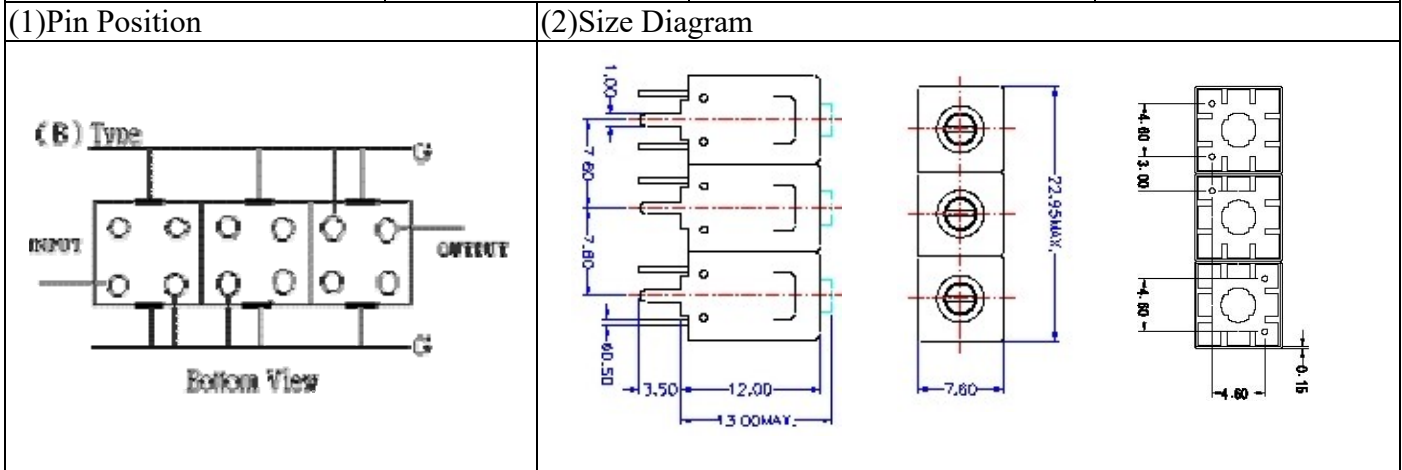


VHF UHF Helical Filter Specification Sheet

Customer Name		Temwell's Part No.	TT63618B-535M
Approval No. /dated		Temwell's Print name.	63618B 535M
Work Instruction No.	201611011CD	Date	Dec.05.2016



(3) Electric Characteristic

Item	Specify	Performance	
Center Freq.(Fo) +/- 0.5 %	535 MHz	535 MHz	
Insertion Loss	Typ. 3.5 dB	2.96 dB	
-3 dB Bandwidth	Typ. 10 MHz	13.1 MHz	
Sensitivity (Attenuation)	Fo - 20 MHz	Typ. 30 dB	33 dB
	Fo + 20 MHz	Typ. 25 dB	27 dB
	Fo - () MHz	Typ. dB	dB
	Fo + () MHz	Typ. dB	dB
Return Loss	Min. 12 dB	24.0 dB	
Ripple	< 1 dB	dB	
Impedance	In / Out : 50 Ω	In / Out : 50 Ω	

(4) Torque for Tuning Screw > 60gf · cm

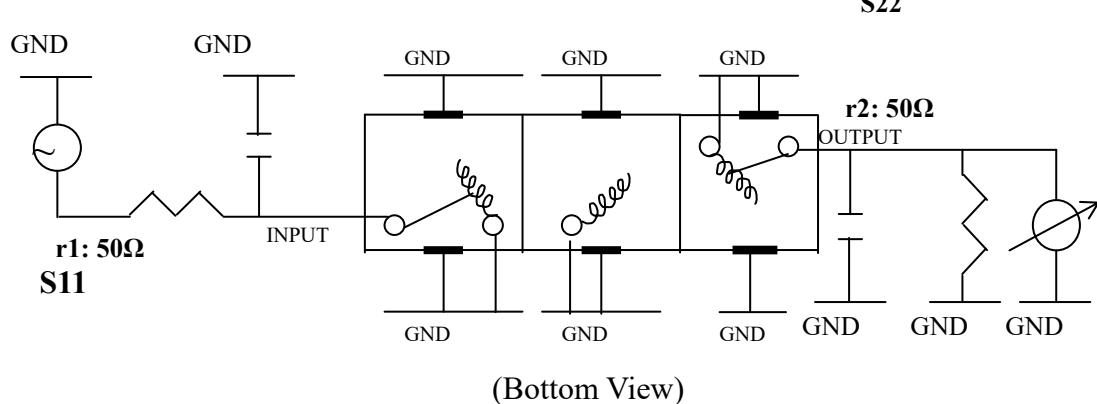
(5) Temperature Condition:

Operating Temperature 0°C ~ +60°C

Storage Temperature -20°C ~ +70°C

(6) Input Power > 1Watt

(7) Measuring Circuit: ※ Easy to match Impedance S11/S22 50Ω by parallel with about(--).



Approval	Supervisor	Designer	Aperture size
C.Y.Chang	C.K.Chang	M.Y.Kang	7H3S(4*5.35)(5.42) 7H046RB4

TEMWELL CORPORATION

TEMWELL

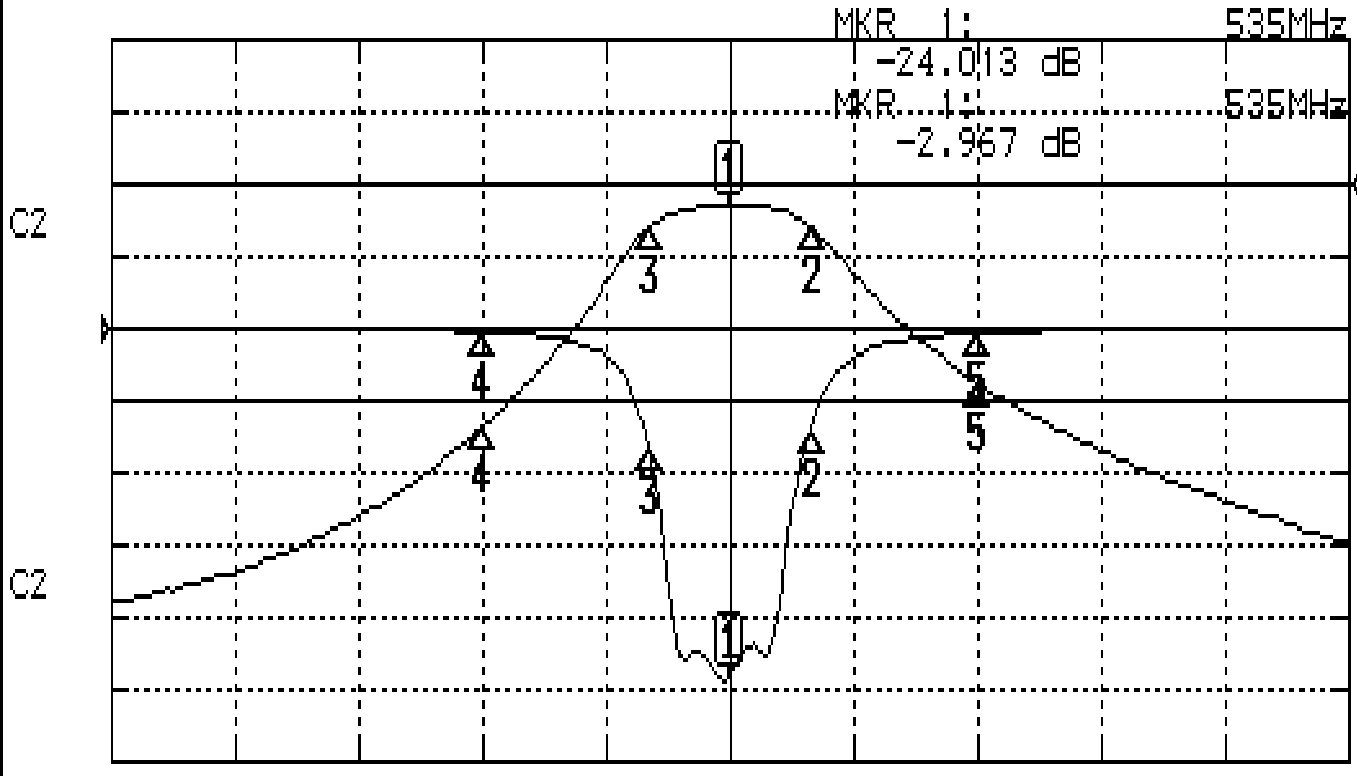
Form10-7H3B Vision D

RP (M.Y)

Performance-TT63618B-535M

201611011CD

CH1 S11 LOG MAG REF 0.000 dB 5.000 dB/
CH2 S21 LOG MAG REF 0.000 dB 10.000 dB/



CENTER 535MHz

[10.00 dBm]

SPAN 100MHz

CH1 MARKER LIST

1:	535.000MHz	-24.013	dB
2:	541.583MHz	-6.724	dB
3:	528.460MHz	-8.233	dB
4:	515.000MHz	-0.215	dB
5:	555.000MHz	-0.292	dB

CH2 MARKER LIST

1:	535.000MHz	-2.967	dB
2:	541.583MHz	-9.158	dB
3:	528.460MHz	-9.466	dB
4:	515.000MHz	-33.634	dB
5:	555.000MHz	-27.448	dB