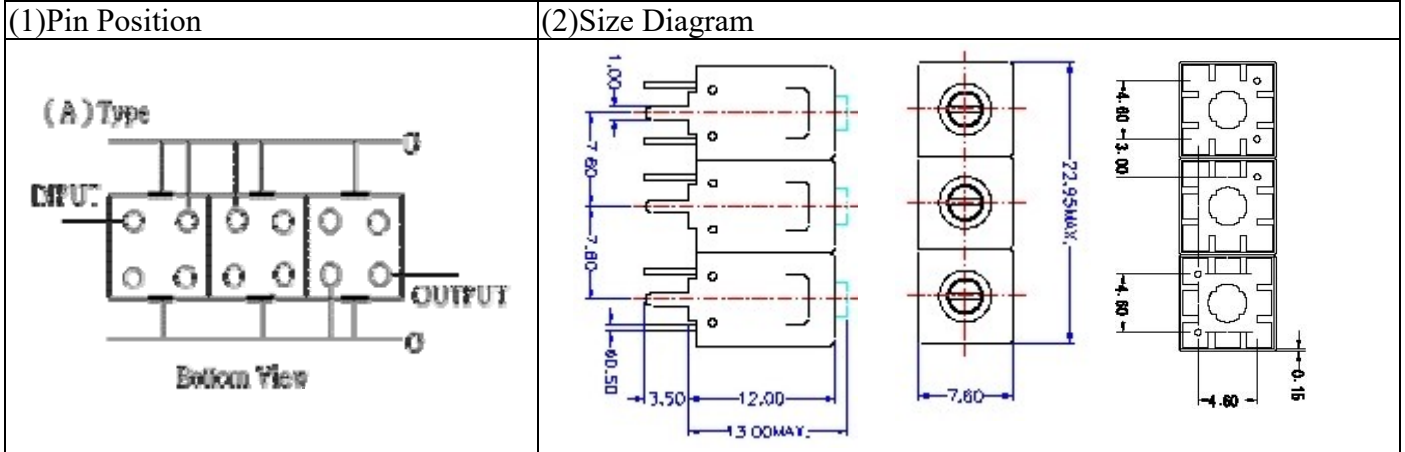
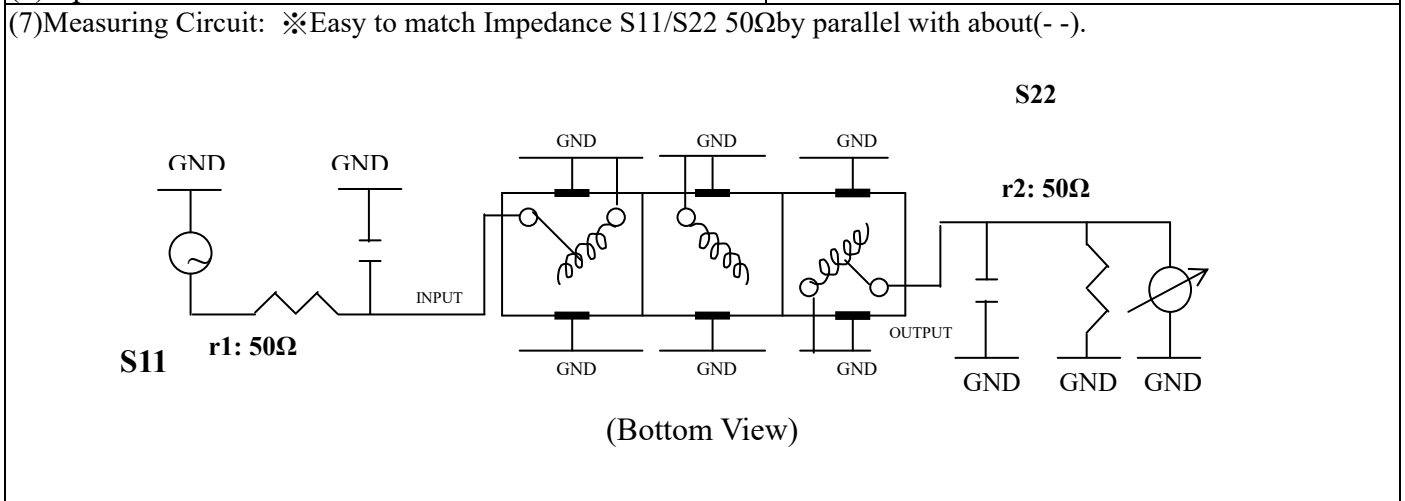


VHF UHF Helical Filter Specification Sheet

Customer Name		Temwell's Part No.	TT63615A-505M
Approval No. /dated	201611008CD	Temwell's Print name	63615A 505M
Work Instruction No.	201611008CD	Date	Dec.22.2016



(3) Electric Chararistic					
Item		Specify		Performance	
Center Freq.(Fo) +/- 0.5 %		505 MHz		505 MHz	
Insertion Loss		Typ. 3.5 dB		2.96 dB	
-3 dB Bandwidth		Typ. 10 MHz		14.0 MHz	
Sensitivity (Attenuation)	Fo - 20 MHz	Typ. 30 dB		35 dB	
	Fo +20 MHz	Typ. 25 dB		27 dB	
	Fo - ()MHz	Typ. dB		dB	
	Fo +()MHz	Typ. dB		dB	
Return Loss		Min. 12 dB		15.6 dB	
Ripple		< 1 dB		dB	
Impedance		In / Out : 50 Ω		In / Out : 50 Ω	
(4) Torque for Tuning Screw		> 60gf • cm			
(5) Temperature Condition:					
Operating Temperature		0°C ~ +60°C			
Storage Temperature		-20°C ~ +70°C			
(6) Input Power		> 1Watt			



Approval	Supervisor	Designer	Aperture size
C.Y.Chang	C.K.Chang	P.H.Chiang	7H3S(4*5.6)(5.65) 7H046LB4.3 聚 3
TEMWELL CORPORATION			

Performance-TT63615A-505M

201611008CD

