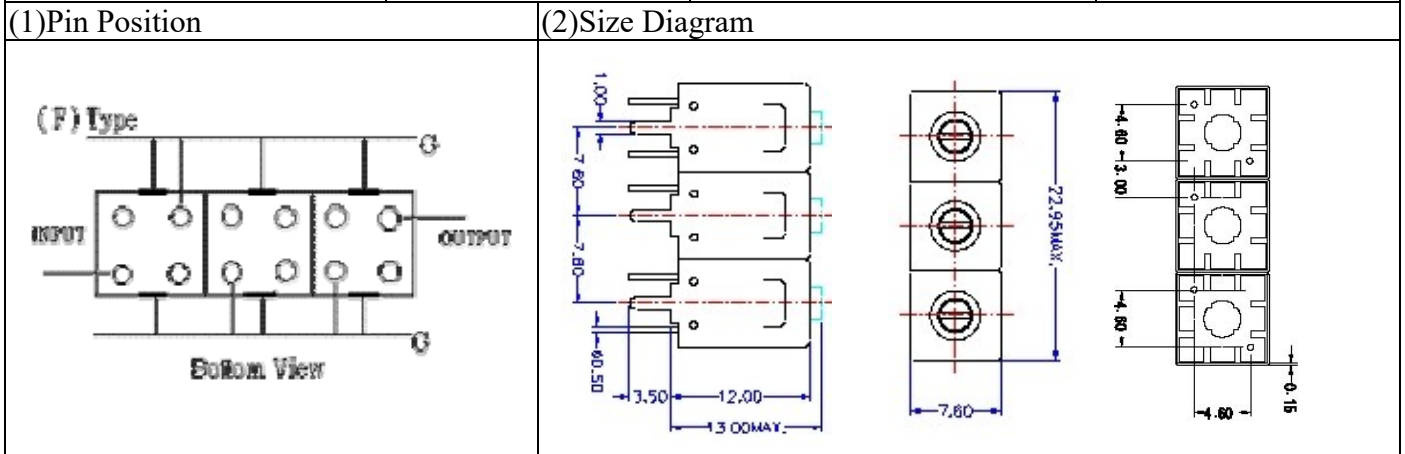


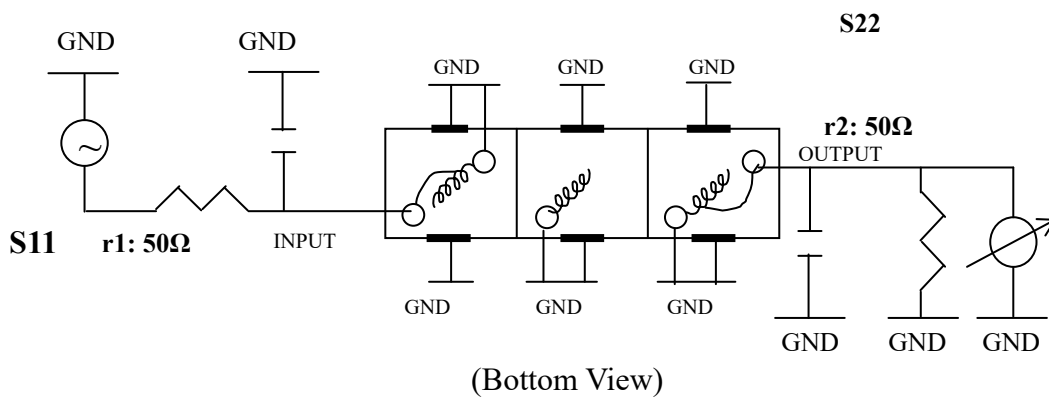
# VHF UHF Helical Filter Specification Sheet

Customer Name		Temwell's Part No.	TT63614F-495M
Approval No. /dated		Temwell's print name	63614F 495M
Work Instruction No.	201611007CD	Date	Nov.30.2016



(3) Electric Characteristic			
Item		Specify	Performance
Center Freq.(Fo) +/- 0.5 %		495 MHz	495 MHz
Insertion Loss		Typ. 3.5 dB	2.97 dB
-3 dB Bandwidth		Typ. 10 MHz	12.1 MHz
Sensitivity (Attenuation)	Fo - 20 MHz	Typ. 30 dB	35 dB
	Fo + 20 MHz	Typ. 25 dB	27 dB
	Fo - ( )MHz	Typ. dB	dB
	Fo +( )MHz	Typ. dB	dB
Return Loss		Min. 12 dB	19.2 dB
Ripple		< 1 dB	dB
Impedance		In / Out : 50 Ω	In / Out : 50 Ω
(4) Torque for Tuning Screw		> 60gf · cm	
(5) Temperature Condition:			
Operating Temperature		0°C ~ +60°C	
Storage Temperature		-20°C ~ +70°C	
(6) Input Power		> 1Watt	

(7) Measuring Circuit: ※Easy to match Impedance S11/S22 50Ω by parallel with about(- -).



Approval	Supervisor	Designer	Aperture size
C.Y.Chang	C.K.Chang	C.S.Chang	7H3S(4*5.5)(5.52) 7H046LB4.3 聚 3
TEMWELL CORPORATION			

# Performance-TT63614F-495M

## 201611007CD

Tr1 S11 Log Mag 5.000dB/ Ref 0.000dB [F2]  
Tr2 S21 Log Mag 10.00dB/ Ref 0.000dB [F2]

