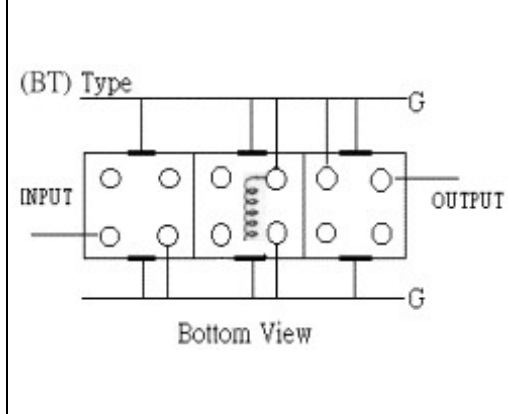


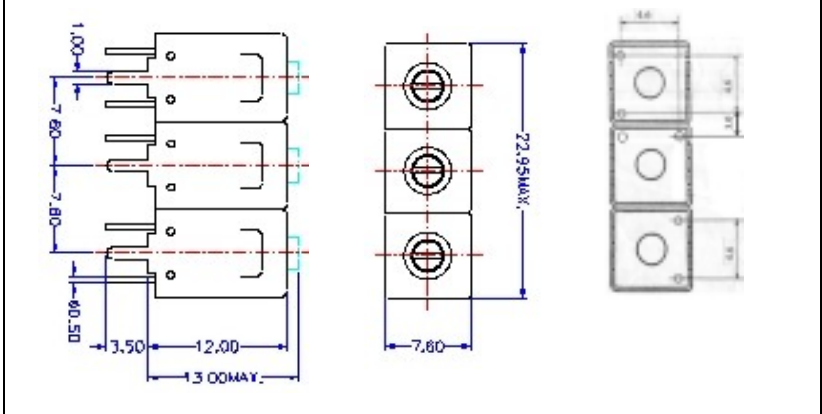
# VHF UHF Helical Filter Specification Sheet

Customer Name		Temwell's Part No.	K3BT-465M-15M
Approval No. /dated	20402073DC	Customer's Part No.	
Work Instruction No.	20402073DC	Date	Feb.27.2004

## (1) Pin Position



## (2) Size Diagram



## (3) Electric Characteristic

Item	Specify
Center Freq.(Fo ) +/- 0.5 %	465 MHz
Insertion Loss	Typ. 3.0 dB
-3 dB Bandwidth	Typ. 15 MHz
Sensitivity (Attenuation )	Fo - 50 MHz Typ. 40 dBc
	Fo + 50 MHz Typ. 30 dBc
	Fo - ( )MHz Typ. dBc
	Fo +( )MHz Typ. dBc
Return Loss	Min. 12 dB
Ripple	< 1 dB
Impedance	In / Out : 50 Ω
(4)Torque for Tuning Screw	> 60gf cm

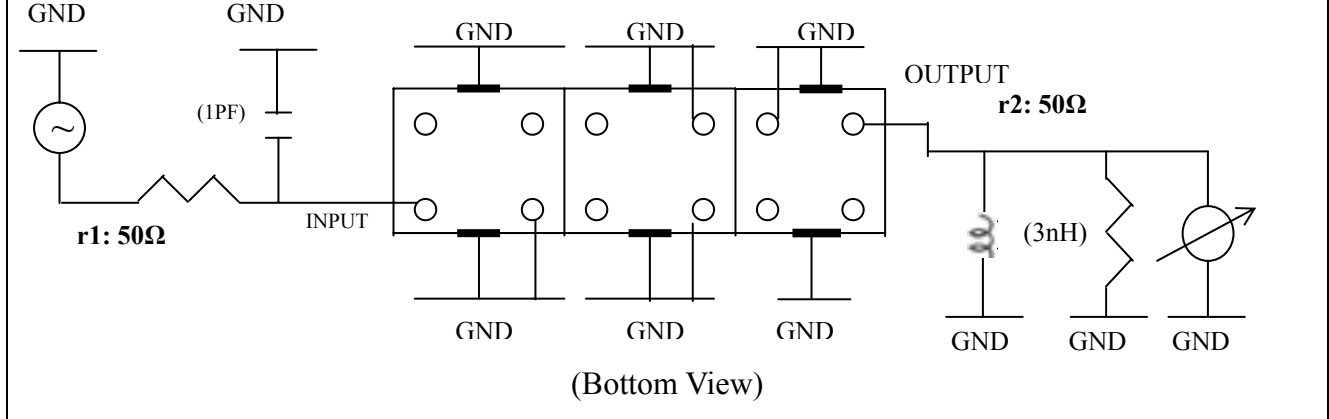
## (5)Temperature Condition:

Operating Temperature	0 ~ +60
Storage Temperature	20 ~ +70

## (6)Input Power

(6)Input Power	> 1Watt
----------------	---------

## (7)Measuring Circuit: Easy to match Impedance S11/S22 50Ω by parallel with about( 1P) / (3nH).

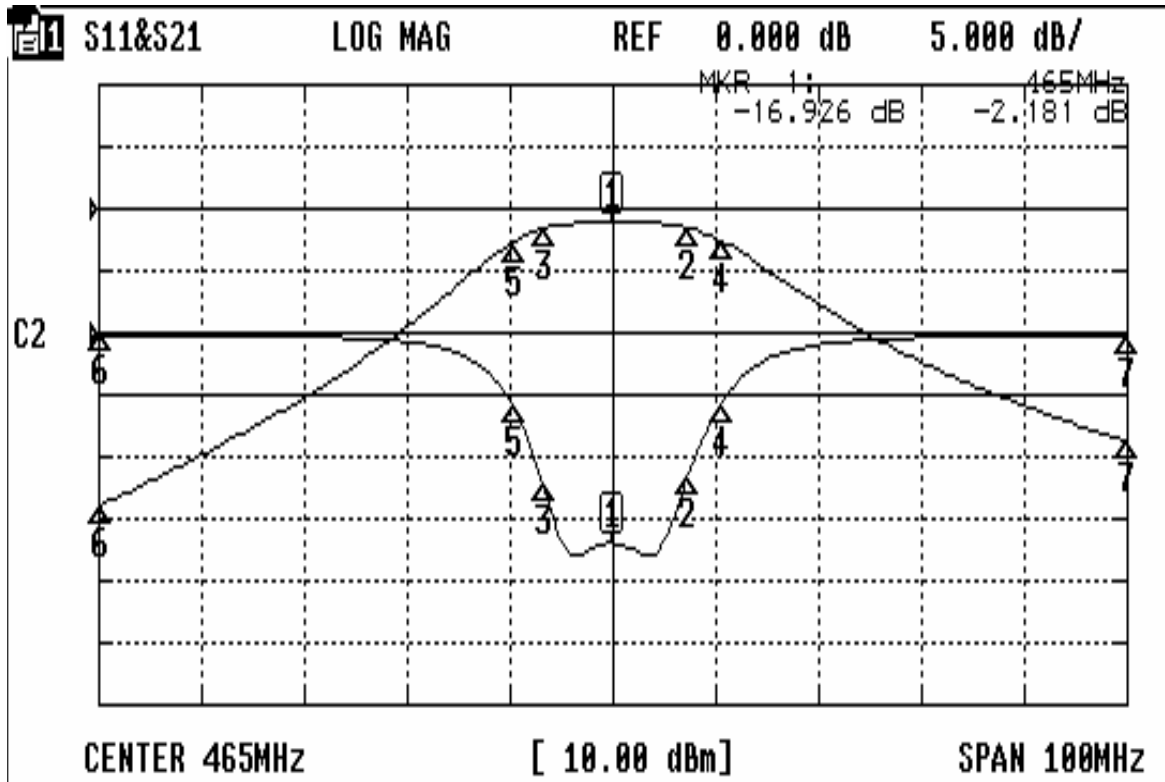


Approval	Supervisor	Designer	Aperture size
	C.S.Chang	Enlan	7H3(4*7.5)(7.4)F

TEMWELL CORPORATION

# Performance- K3BT-465M-15M

20402073DC



## CH1 MARKER LIST

1:	465.000MHz	-16.922 dB	-2.177 dB
2:	472.416MHz	-11.496 dB	-3.118 dB
3:	458.250MHz	-12.130 dB	-3.171 dB
4:	475.583MHz	-5.659 dB	-5.169 dB
5:	455.416MHz	-5.970 dB	-5.182 dB
6:	415.000MHz	-0.130 dB	-48.033 dB
7:	515.000MHz	-0.168 dB	-37.398 dB
8:			
9:			
10:			