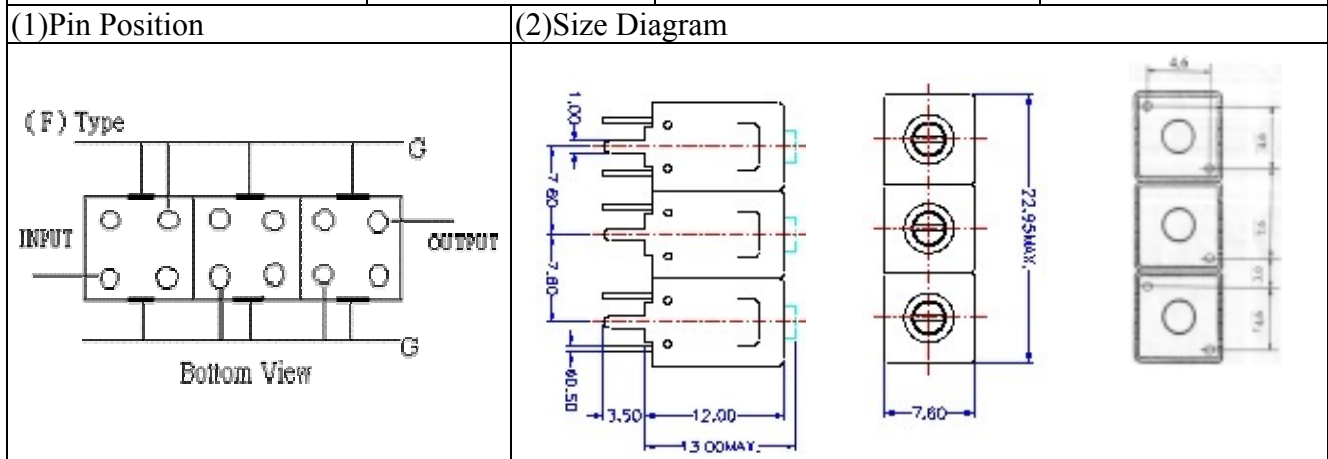
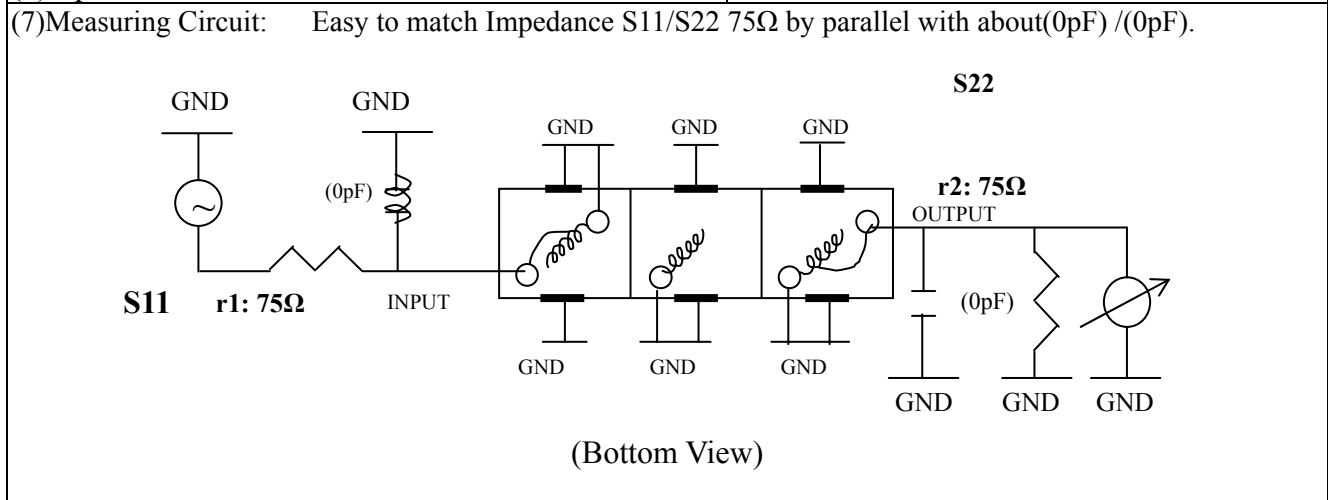


VHF UHF Helical Filter Specification Sheet

Customer Name		Temwell's Part No.	TTL6324F-533M
Approval No. /dated	0611049APR	Acceptable Specify Fo Range	516~555 MHz
Work Instruction No.	0611049DC	Date	Nov.23.2006



(3) Electric Characteristic		Item	Specify
		Center Freq.(Fo) +/- 0.5 %	533 MHz
		Tunable Range	533±5 MHz
		Insertion Loss	Typ. 6.0 dB
		-3 dB Bandwidth	Typ. 6 MHz
Sensitivity (Attenuation)	Fo - 15 MHz	Typ.	30 dB
	Fo + 15 MHz	Typ.	24 dB
	Fo - ()MHz	Typ.	dB
	Fo +()MHz	Typ.	dB
		Return Loss	Min. 12 dB
		Ripple	< 1 dB
		Impedance	In / Out : 75 Ω
(4) Torque for Tuning Screw			> 60gf cm
(5) Temperature Condition:			
Operating Temperature			-0 ~ +60
Storage Temperature			-20 ~ +70
(6) Input Power			> 1Watt



Approval	Supervisor	Designer	Aperture size
C.Y.Chang	C.S.Chang	C.S.Chang	7H3(4*4.65)F 7H046LB4 聚 3

TEMWELL CORPORATION

Performance-TTL6324F-533M

0611049DC

