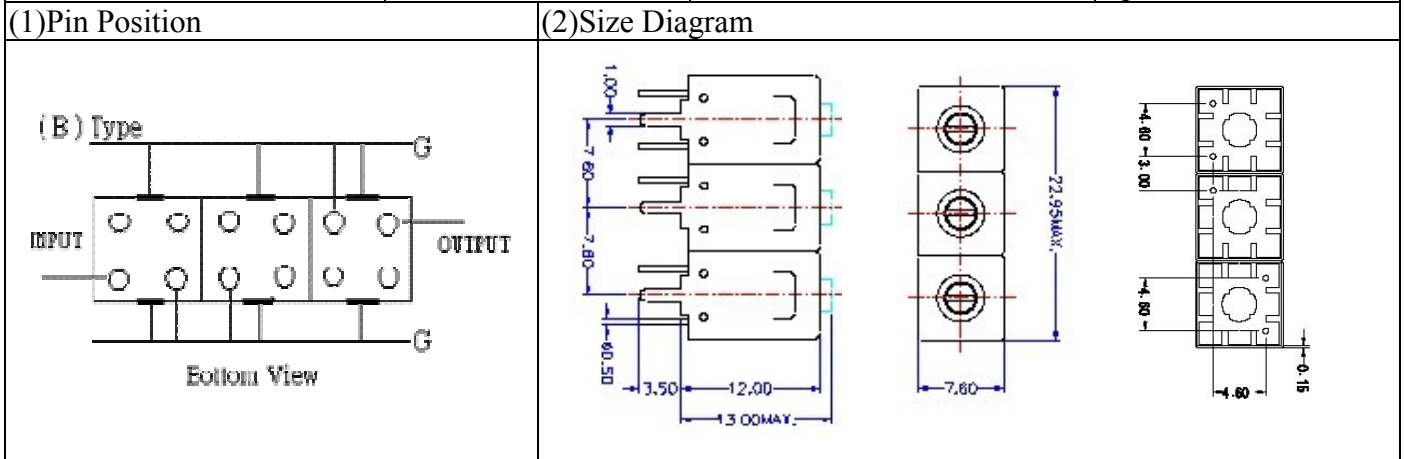
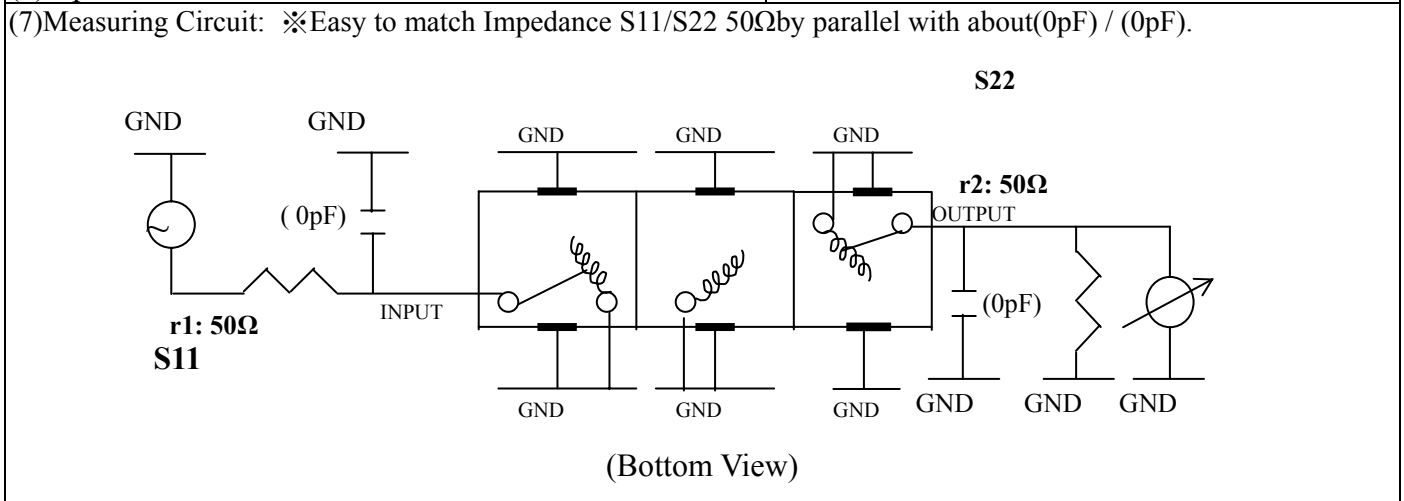


VHF UHF Helical Filter Specification Sheet

Customer Name		Temwell's Part No.	TT6834B-265M
Approval No. /dated		Customer's Print Name.	6834B 265M
Work Instruction No.	0801088CD	Date	Apr.09.2008



(3) Electric Characteristic		Item	Specify
		Center Freq.(Fo) +/- 0.5 %	265 MHz
		Insertion Loss	Max. 4.0 dB
		-3 dB Bandwidth	Typ. 4 MHz
Sensitivity (Attenuation)	Fo - 30 MHz	Typ. 50 dBc	
	Fo + 30 MHz	Typ. 54 dBc	
	Fo - ()MHz	Typ. dBc	
	Fo +()MHz	Typ. dBc	
		Return Loss	Min. 12 dB
		Ripple	< 1 dB
		Impedance	In / Out : 50 Ω
(4) Torque for Tuning Screw		> 100gf · cm	
(5) Temperature Condition:			
Operating Temperature		0°C ~ +60°C	
Storage Temperature		-20°C ~ +70°C	
(6) Input Power		> 1 Watt	

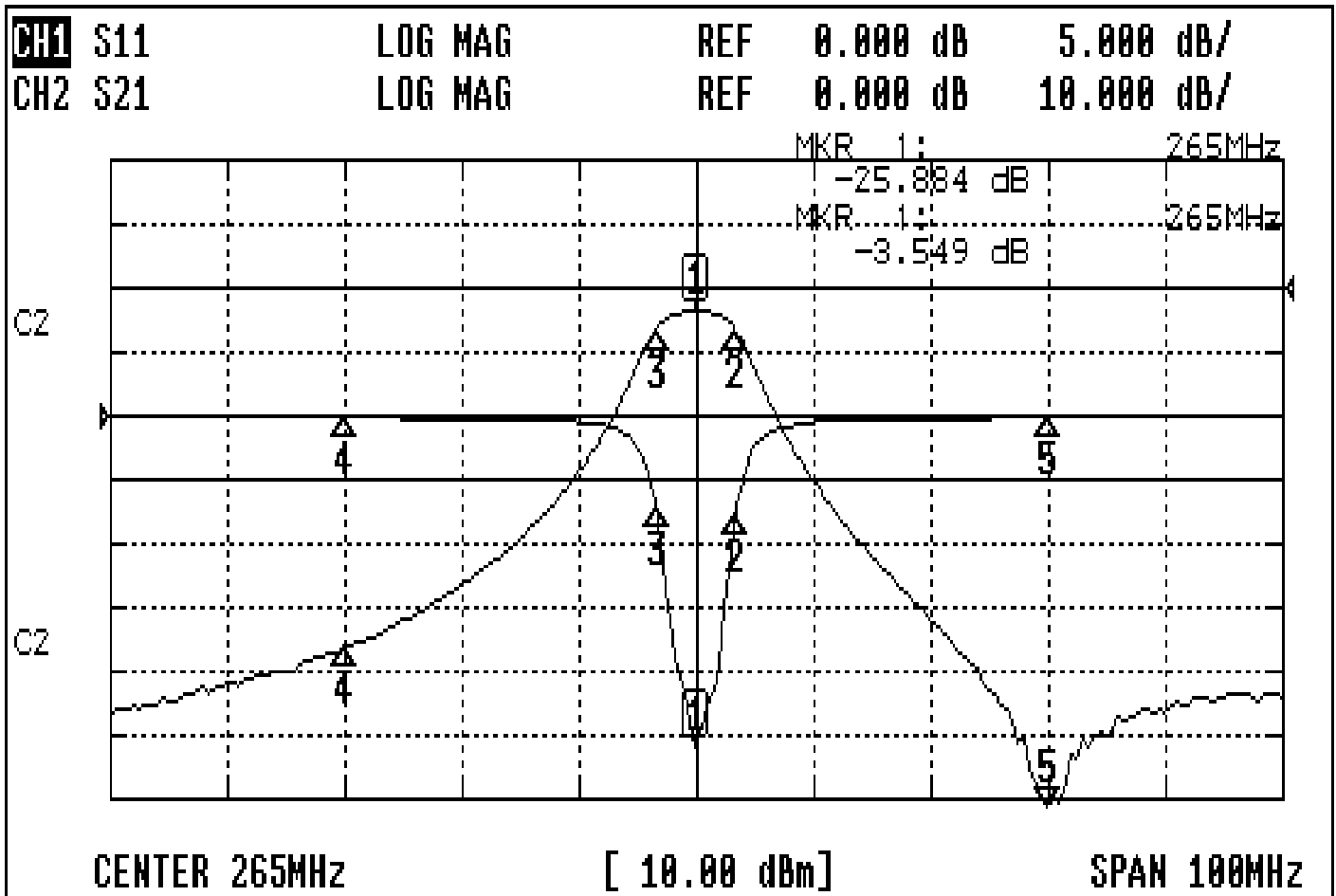


Approval	Supervisor	Designer	Aperture size
C.Y.Chang	C.S.Chang	Y.H.Yeh	7H3(4*4.65F)(4.0B)

TEMWELL CORPORATION

Performance-TT6834B-265M

0801088CD



CH1 MARKER LIST			
1:	265.000MHz	-25.855	dB
2:	268.410MHz	-7.736	dB
3:	261.560MHz	-7.111	dB
4:	235.000MHz	-0.132	dB
5:	295.000MHz	-0.133	dB

CH2 MARKER LIST			
1:	265.000MHz	-3.549	dB
2:	268.410MHz	-7.736	dB
3:	261.560MHz	-7.111	dB
4:	235.000MHz	-0.132	dB
5:	295.000MHz	-0.133	dB