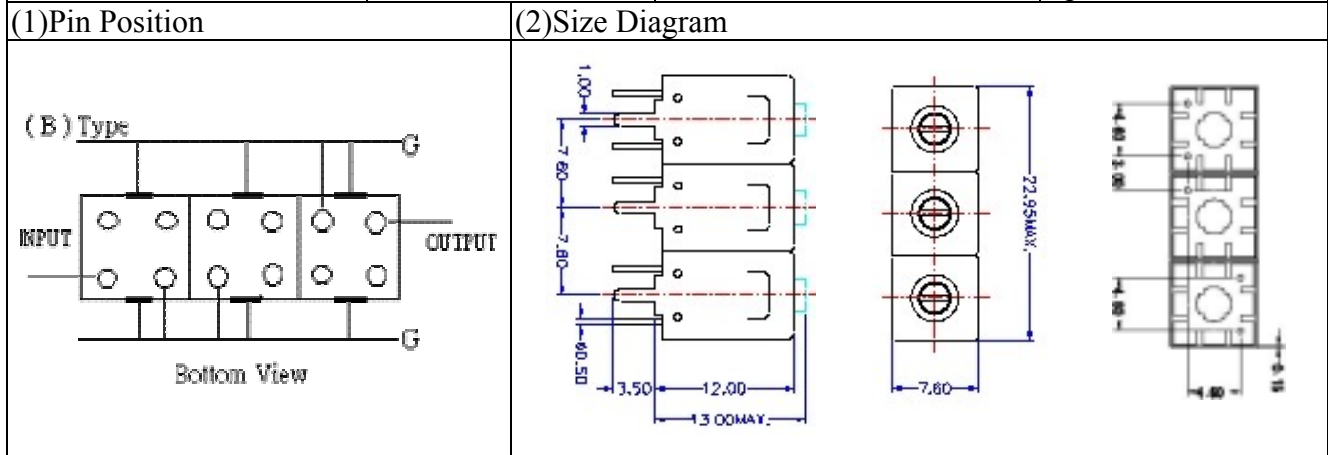


VHF UHF Helical Filter Specification Sheet

Customer Name		Temwell's Part No.	TT6832B-231.65M
Approval No. /dated	0801087APR	Customer's Print Name.	6832B 231.65M
Work Instruction No.	0801087CD	Date	Apr.10.2008



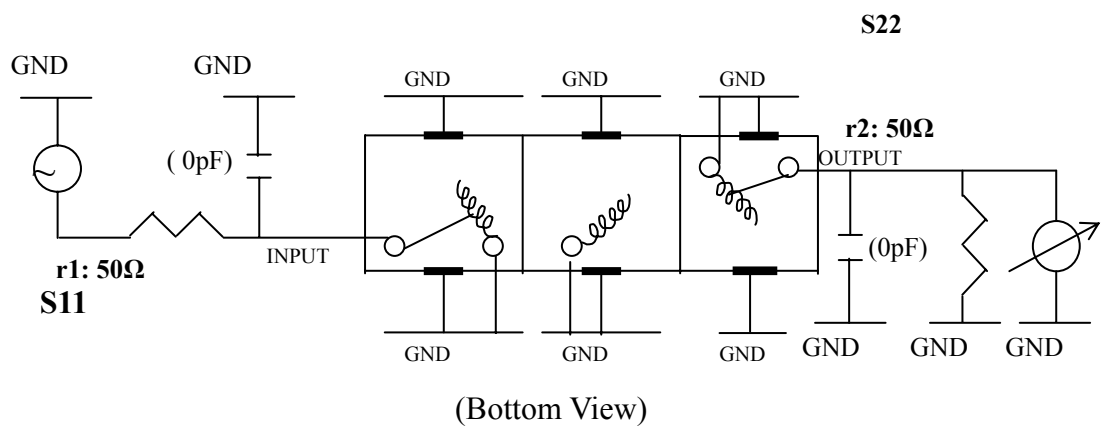
(3) Electric Characteristic	
Item	Specify
Center Freq.(Fo) +/- 0.5 %	231.65 MHz
Insertion Loss	Typ. 6.0 dB
-3 dB Bandwidth	Typ. 2 MHz
Sensitivity (Attenuation)	Fo - 10 MHz Typ. 29 dBc
	Fo + 10 MHz Typ. 29 dBc
	Fo - ()MHz Typ. dBc
	Fo +()MHz Typ. dBc
Return Loss	Min. 12 dB
Ripple	< 1 dB
Impedance	In / Out : 50 Ω

(4) Torque for Tuning Screw > 100gf cm

(5) Temperature Condition:	
Operating Temperature	0 ~ +60
Storage Temperature	-20 ~ +70

(6) Input Power > 1 Watt

(7) Measuring Circuit: Easy to match Impedance S11/S22 50Ω by parallel with about(0pF) / (0pF).

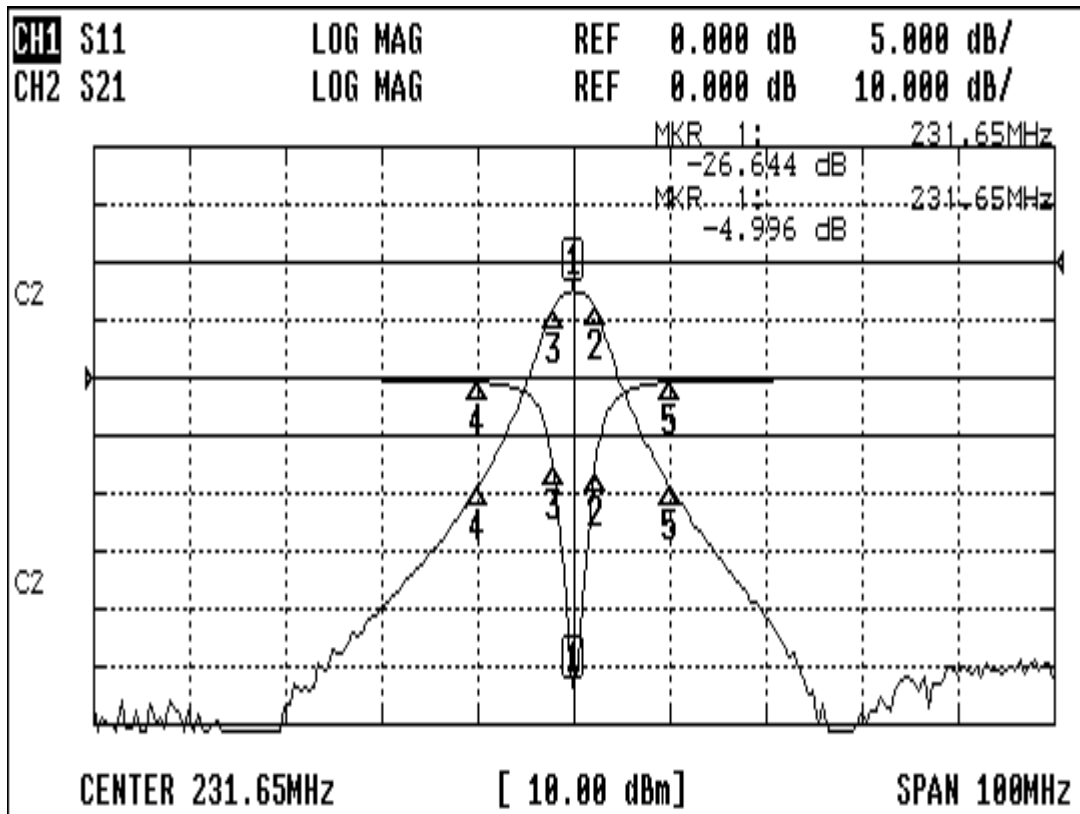


Approval	Supervisor	Designer	Aperture size
C.Y.Chang	C.S.Chang	Y.H.Chuan	7H3(4*4.65F)*(4.0B) 7H024LB4

TEMWELL CORPORATION

Performance-TT6832B-231.65M

0801087CD



CH1 MARKER LIST

1:	231.650MHz	-26.644 dB
2:	233.900MHz	-8.096 dB
3:	229.566MHz	-7.859 dB
4:	221.650MHz	-0.366 dB
5:	241.650MHz	-0.373 dB

CH2 MARKER LIST

1:	231.650MHz	-4.996 dB
2:	233.900MHz	-7.970 dB
3:	229.566MHz	-7.910 dB
4:	221.650MHz	-39.074 dB
5:	241.650MHz	-38.663 dB