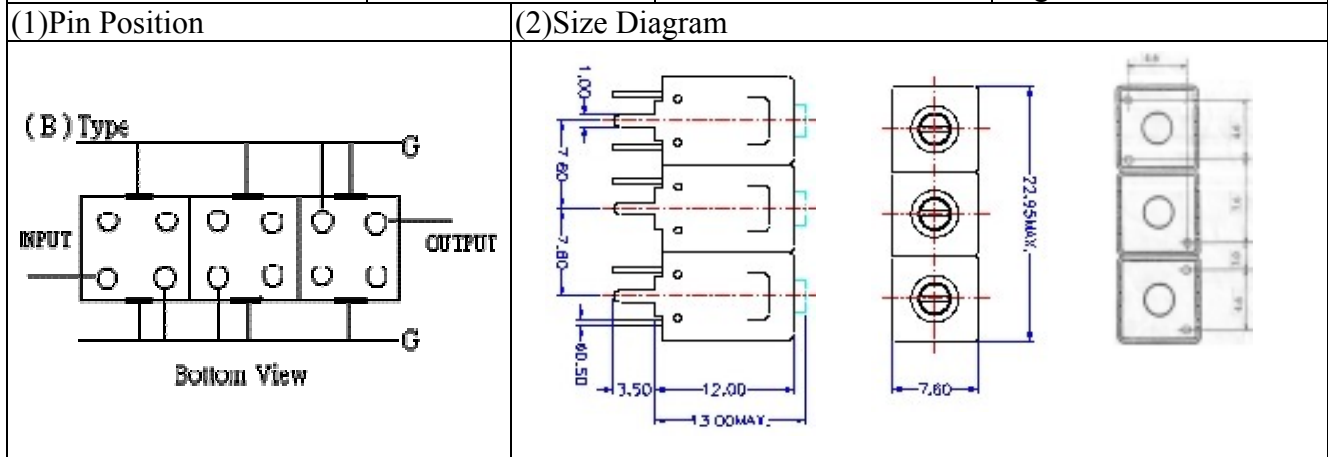
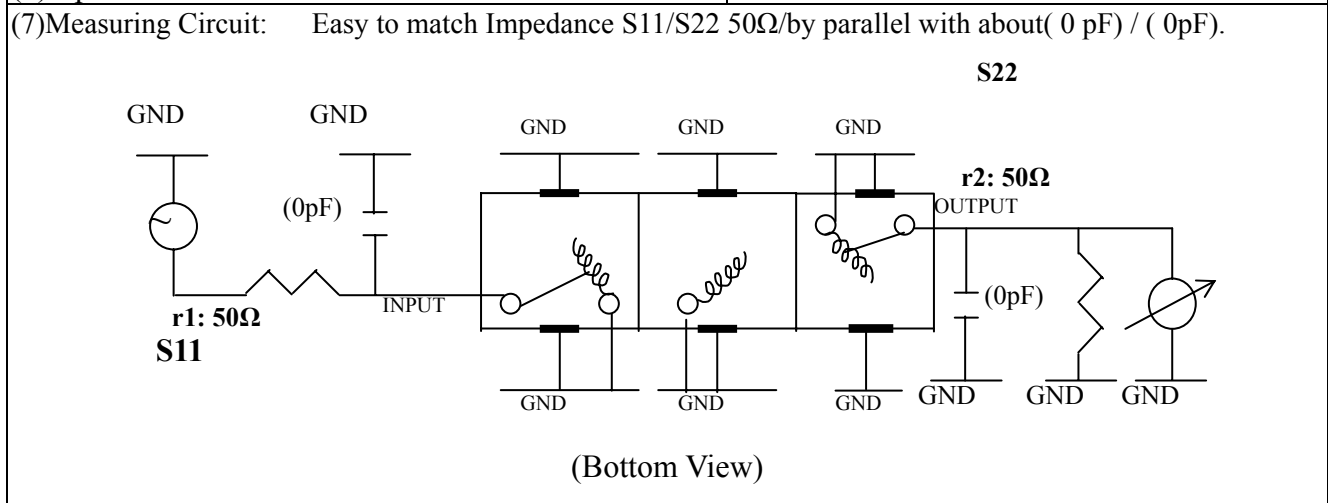


# VHF UHF Helical Filter Specification Sheet

Customer Name		Temwell's Part No.	TT6829B1-196.7M
Approval No. /dated	0607017APR	Acceptable Specify Fo Range	196~220MHz
Work Instruction No.	0607017DC	Date	Aug.08.2006



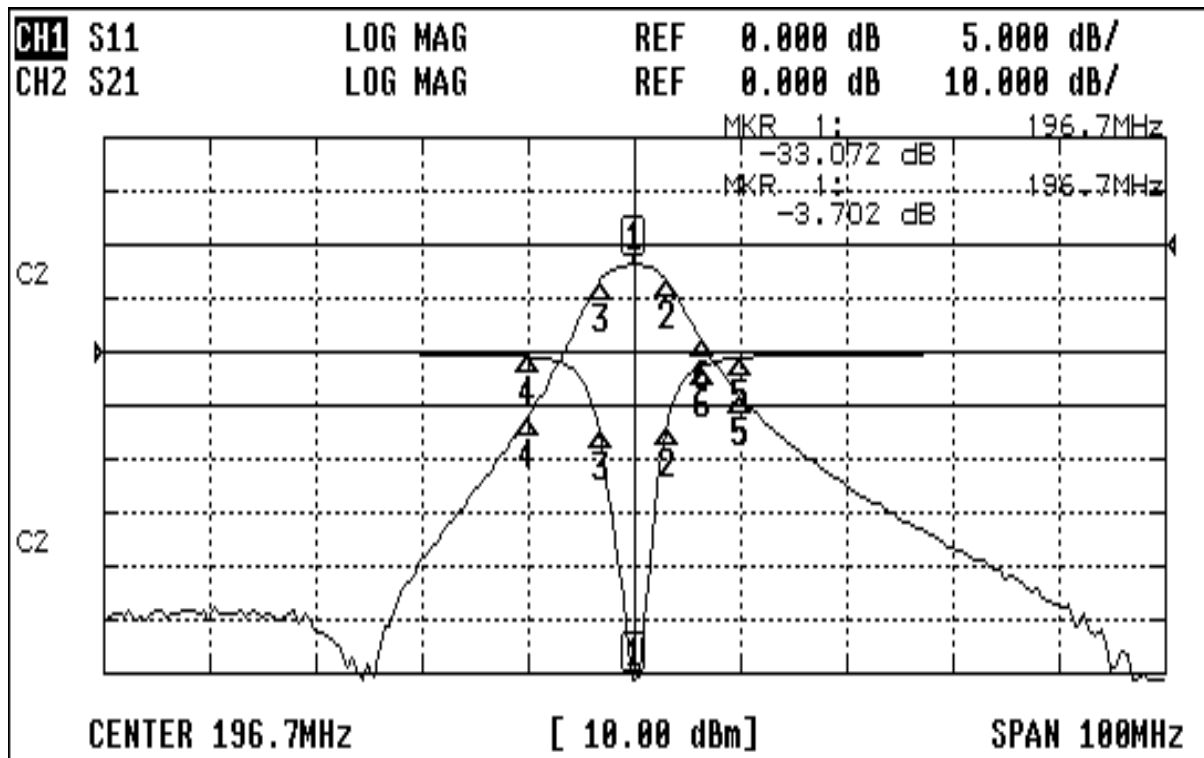
(3) Electric Character			
Item		Specify	
Center Freq.(Fo) +/- 0.5 %		196.7	MHz
Insertion Loss		Typ. 5	dB
-3 dB Bandwidth		Typ. 5	MHz
Sensitivity (Attenuation)	Fo - 10 MHz	Typ. 29	dB
	Fo + 10 MHz	Typ. 25	dB
	Fo - ( )MHz	Typ	dB
	Fo +( )MHz	Typ	dB
Return Loss		Min. 12	dB
Ripple		< 1	dB
Impedance		In / Out : 50 Ω	
(4) Torque for Tuning Screw		> 100gf cm	
(5) Temperature Condition:			
Operating Temperature		0 ~ +60	
Storage Temperature		-20 ~ +70	
(6) Input Power		> 1Watt	



Approval	Supervisor	Designer	Aperture size
C.Y.Chang	C.S.Chang	P.H.Chiang	7H3(4*5.5)F 7H024LB4
TEMWELL CORPORATION			

# Performance-TT6829B1-196.7M

## 0607017DC



### CH1 MARKER LIST

1:	196.700MHz	-33.072 dB
2:	199.866MHz	-6.860 dB
3:	193.450MHz	-7.515 dB
4:	186.700MHz	-0.442 dB
5:	206.700MHz	-0.547 dB
6:	203.100MHz	-1.295 dB
7:		
8:		
9:		
10:		

### CH2 MARKER LIST

1:	196.700MHz	-3.702 dB
2:	199.866MHz	-6.850 dB
3:	193.450MHz	-6.726 dB
4:	186.700MHz	-3.286 dB
5:	206.700MHz	-28.078 dB
6:	203.100MHz	-18.027 dB
7:		
8:		
9:		
10:		