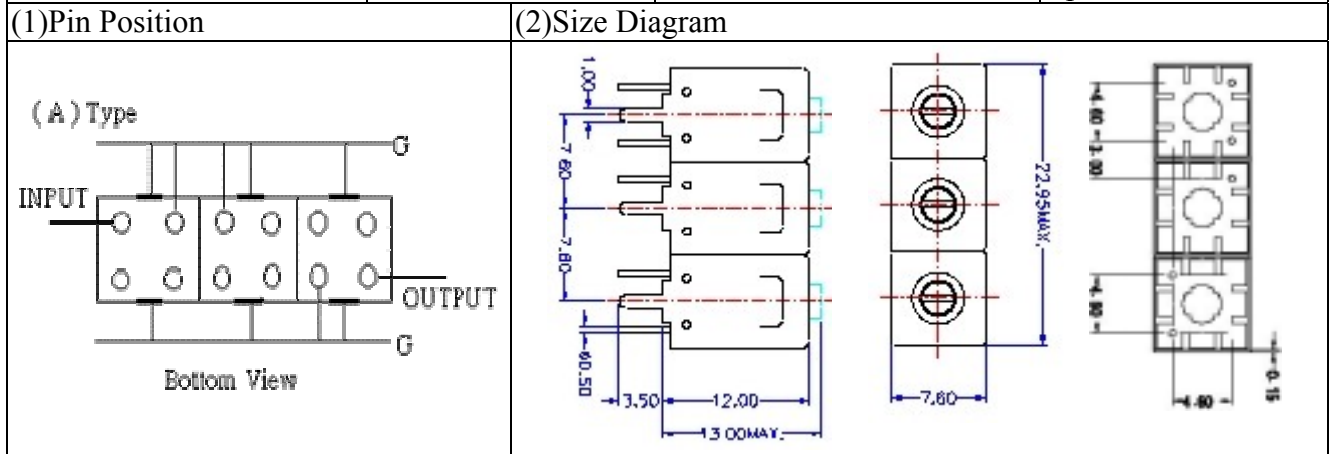
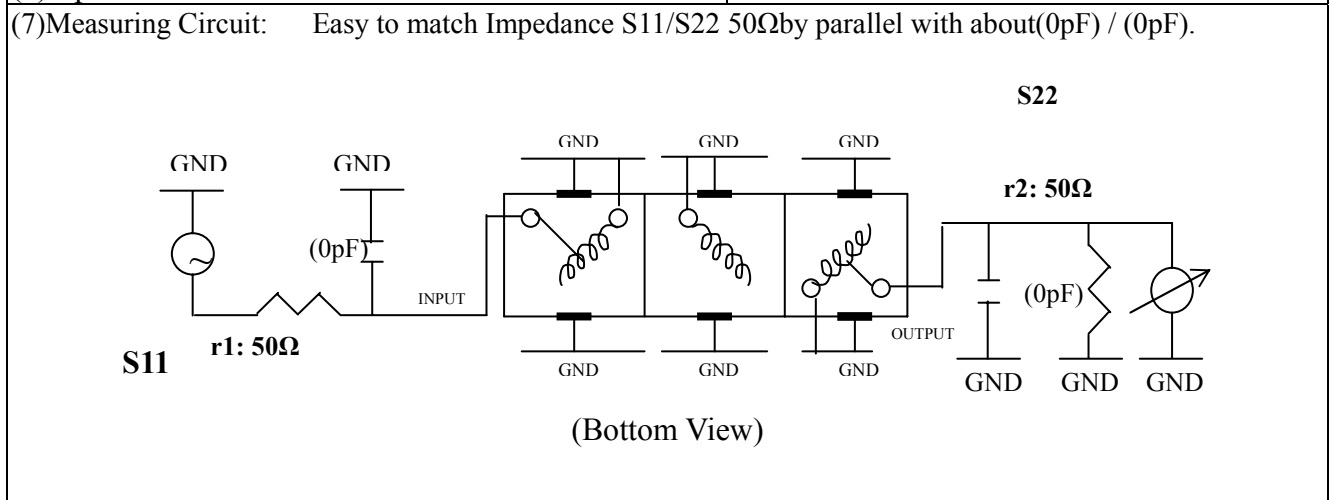


VHF UHF Helical Filter Specification Sheet

Customer Name		Temwell's Part No.	TT6829A-210M
Approval No. /dated	0801083APR	Customer's Print Name.	6829A 210M
Work Instruction No.	0801083CD	Date	Apr.09.2008



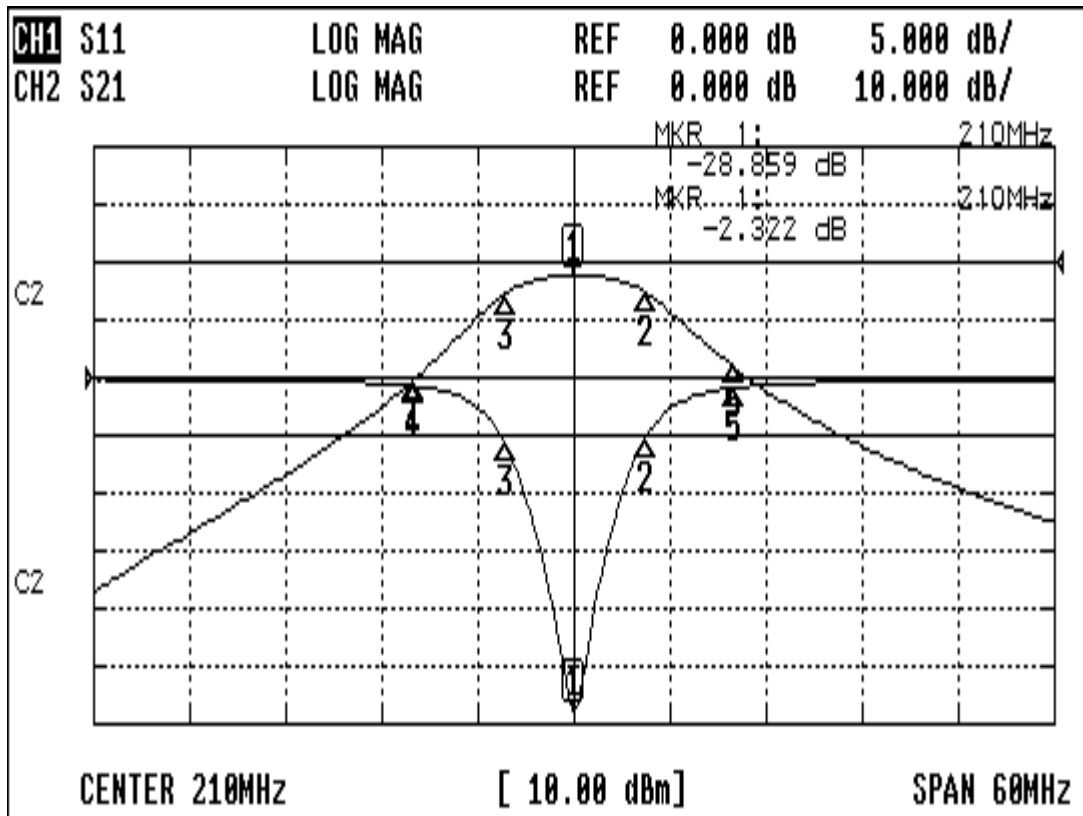
(3)Electric Charasteric	
Item	Specify
Center Freq.(Fo) +/- 0.5 %	210 MHz
Insertion Loss	Typ. 3.5 dB
-3 dB Bandwidth	Typ. 6 MHz
Sensitivity (Attenuation)	Fo - 10 MHz Typ. 16 dBc
	Fo + 10 MHz Typ. 14 dBc
	Fo - ()MHz Typ. dBc
	Fo +()MHz Typ. dBc
Return Loss	Min. 12 dB
Ripple	< 1 dB
Impedance	In / Out : 50 Ω
(4)Torque for Tuning Screw	> 100gf cm
(5)Temperature Condition:	
Operating Temperature	0 ~ +60
Storage Temperature	-20 ~ +70
(6)Input Power	> 1Watt



Approval C.Y.Chang	Supervisor C.S.Chang	Designer Y.H.Chuan	Aperture size 7H3(4*5.5F)*(4.0B) 7H024LB4
TEMWELL CORPORATION			

Performance-TT6829A-210M

0801083CD



CH1 MARKER LIST

1:	210.000MHz	-28.859 dB
2:	214.550MHz	-5.106 dB
3:	205.750MHz	-5.739 dB
4:	200.000MHz	-0.728 dB
5:	220.000MHz	-0.865 dB

CH2 MARKER LIST

1:	210.000MHz	-2.322 dB
2:	214.550MHz	-5.407 dB
3:	205.750MHz	-5.379 dB
4:	200.000MHz	-20.395 dB
5:	220.000MHz	-18.101 dB