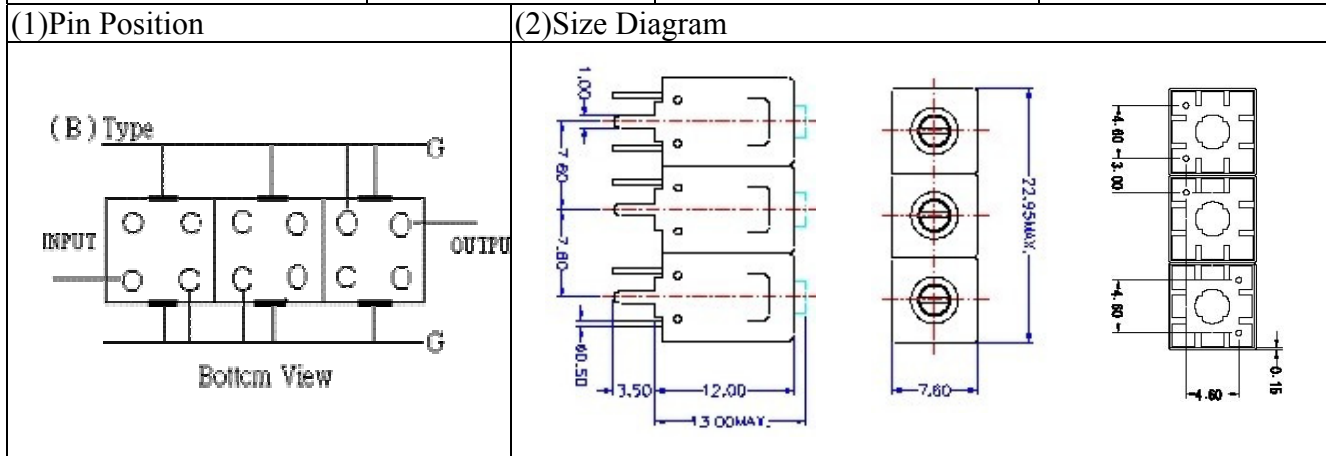


VHF UHF Helical Filter Specification Sheet

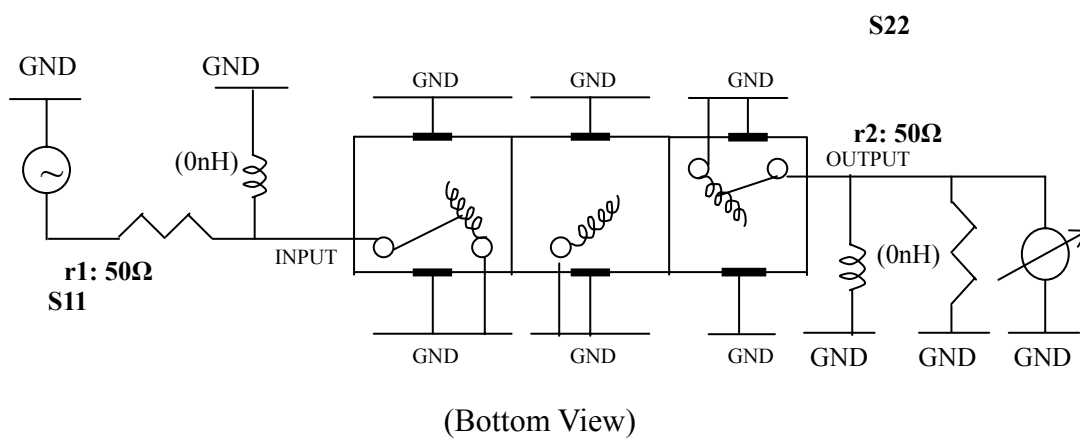
Customer Name		Temwell's Part No.	TT6806B1-70M
Approval No. /dated		Temwell's Print name	6806B1 70M
Work Instruction No.	200912093C	Date	Jan.15.2010



(3) Electric Characteristic

Item	Specify	
Center Freq.(Fo) +/- 0.5 %	70	MHz
Insertion Loss	Typ. 6.5	dB
-3 dB Bandwidth	Typ. 1.5	MHz
Sensitivity (Attenuation)	Fo - 10 MHz	Typ. 60 dBc
	Fo + 10 MHz	Typ. 45 dBc
	Fo - ()MHz	Typ. dBc
	Fo +()MHz	Typ. dBc
Return Loss	Min. 12	dB
Ripple	< 1	dB
Impedance	In / Out : 50 Ω	
(4) Torque for Tuning Screw	> 100gf · cm	
(5) Temperature Condition:		
Operating Temperature	0°C ~ +60°C	
Storage Temperature	-20°C ~ +70°C	
(6) Input Power	> 1Watt	

(7) Measuring Circuit: ※Easy to match Impedance S11/S22 50Ω by parallel with about(0nH) / (0nH).

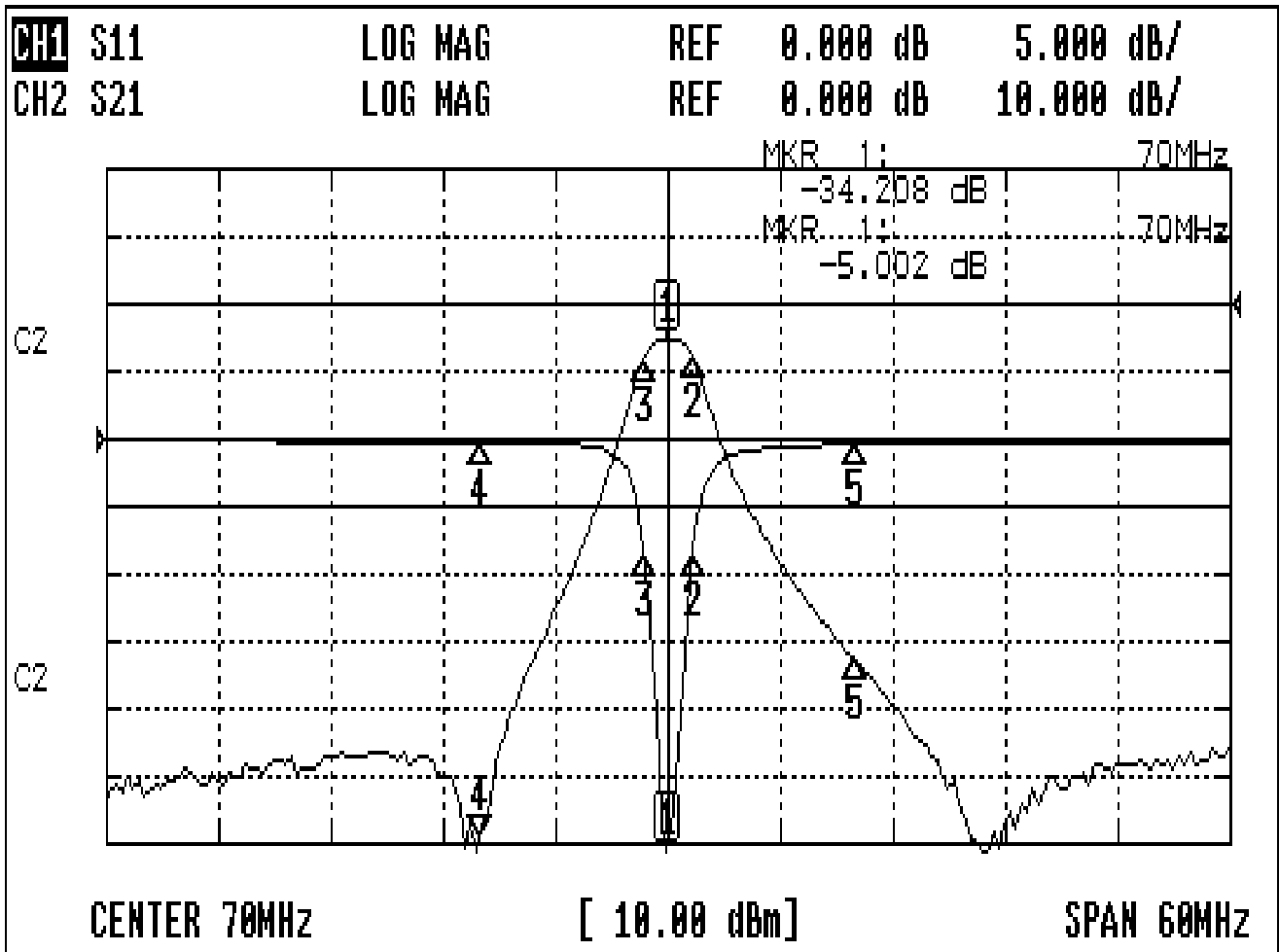


Approval	Supervisor	Designer	Aperture size
C.Y.Chang	C.K.Chang	C.H.Yeh	7H3S(4*5.5)(5.55) 7H00LB4

TEMWELL CORPORATION

Performance-TT6806B1-70M

200912093C



CH1 MARKER LIST

1	70.000MHz	-34.208	dB
2	71.340MHz	-1.682	dB
3	68.750MHz	-1.478	dB
4	60.000MHz	-1.207	dB
5	80.000MHz	-0.388	dB

CH2 MARKER LIST

1	70.000MHz	-5.000	dB
2	71.340MHz	-0.015	dB
3	68.750MHz	-0.072	dB
4	60.000MHz	-2.271	dB
5	80.000MHz	-2.764	dB