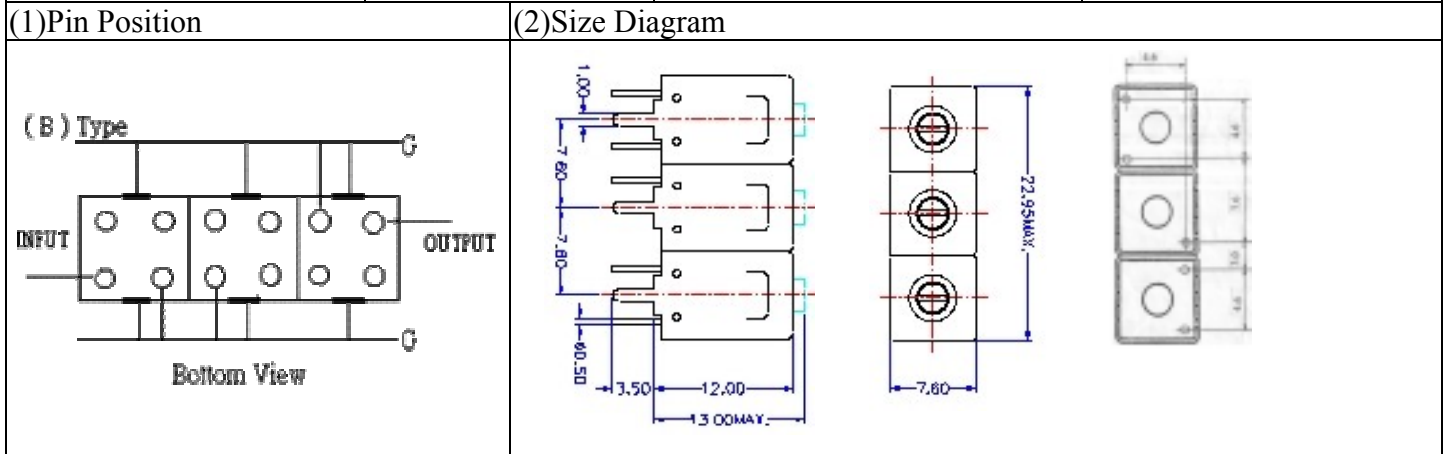


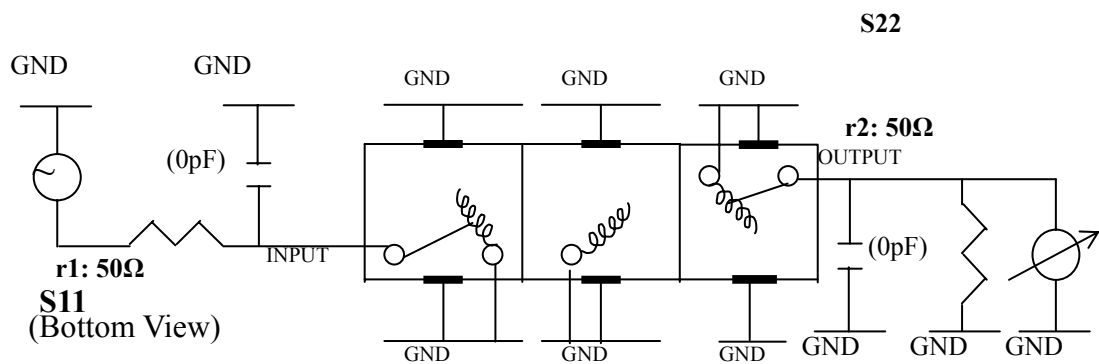
VHF UHF Helical Filter Specification Sheet

Customer Name		Temwell's Part No.	TT67854B-365M
Approval No. /dated	0511003DC	Customer Print Name	TT67854B 365M
Work Instruction No.	0511003DC	Date	Nov.10.2005



(3) Electric Character		Item	Specify
		Center Freq.(Fo) +/- 0.5 %	365 MHz
		Tunable Range	365±4 MHz
		Insertion Loss	Typ. 2.0 dB
		-3 dB Bandwidth	Typ. 70 MHz
Sensitivity (Attenuation)	Fo - 100 MHz	Typ.	27 dBc
	Fo + 100 MHz	Typ.	16 dBc
	Fo - ()MHz	Typ.	dBc
	Fo + ()MHz	Typ.	dBc
		Return Loss	Min. 12 dB
		Ripple	< 1 dB
		Impedance	In / Out : 50 Ω
(4) Torque for Tuning Screw		> 60gf cm	
(5) Temperature Condition:			
Operating Temperature		-0 ~ +60	
Storage Temperature		-20 ~ +70	
(6) Input Power		> 1Watt	

(7) Measuring Circuit: Easy to match Impedance S11/S22 50Ω/by parallel with about (0 pF) / (0 pF).



Approval	Supervisor	Designer	Aperture size
C.Y. Chang	C.S. Chang	C.S. Chang	7H3S(4*7.5)(4*7.6) 7H046RB6.5

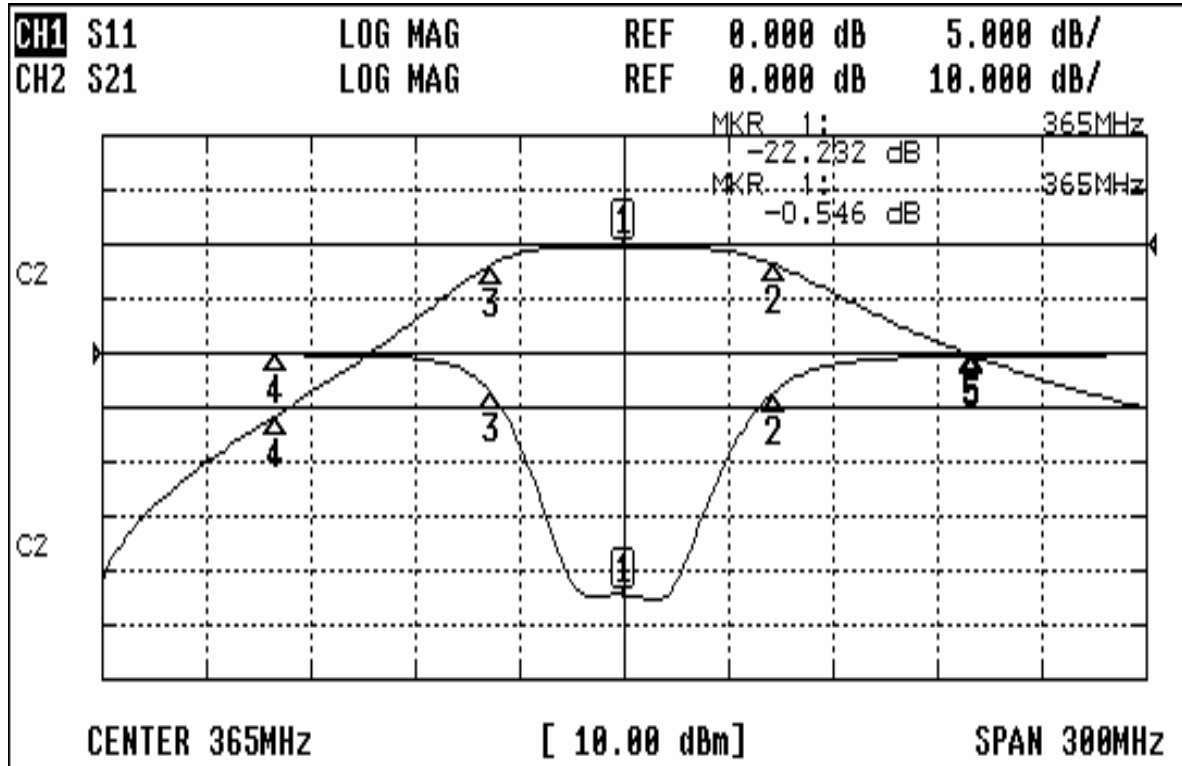
TEMWELL CORPORATION

TEMWELL

Form RP: C.S. Chang

Performance-TT67854B-365M

0511003DC



CH1 MARKER LIST

1:	365.000MHz	-22.232 dB
2:	407.750MHz	-3.685 dB
3:	327.000MHz	-3.723 dB
4:	265.000MHz	-0.139 dB
5:	465.000MHz	-0.244 dB

CH2 MARKER LIST

1:	365.000MHz	-0.546 dB
2:	407.750MHz	-3.540 dB
3:	327.000MHz	-3.527 dB
4:	265.000MHz	-31.448 dB
5:	465.000MHz	-20.435 dB