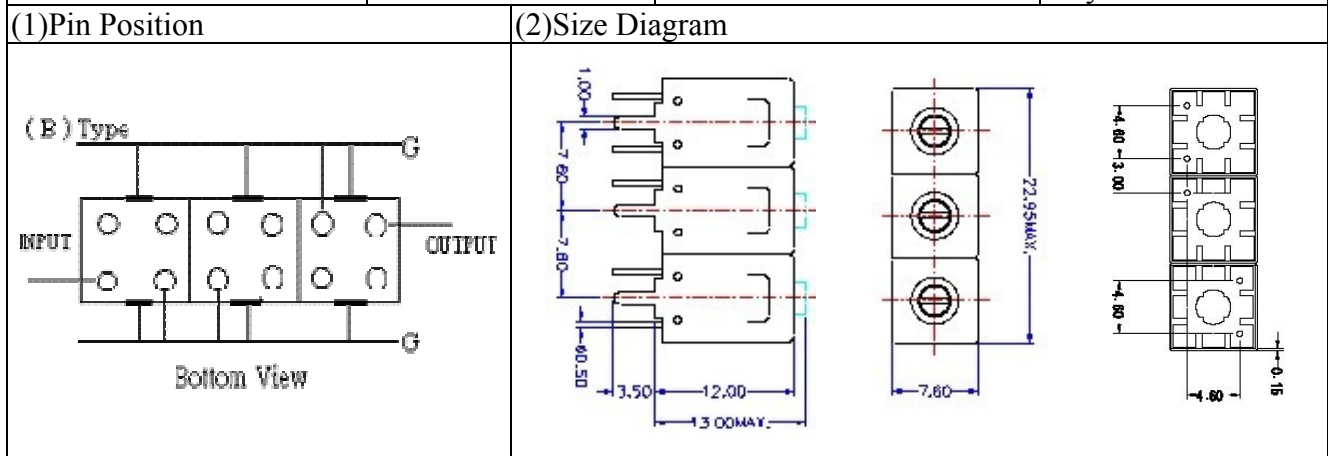


VHF UHF Helical Filter Specification Sheet

Customer Name		Temwell's Part No.	TT6778B-415M
Approval No. /dated	201205046CD	Customer's Print Name.	6778B 415M
Work Instruction No.	201205046CD	Date	May.16.2012



(3) Electric Charasteric

Item	Specify	
Center Freq.(Fo) +/- 0.5 %	415	MHz
Insertion Loss	Typ. 3.0	dB
-3 dB Bandwidth	Typ. 20	MHz
Sensitivity (Attenuation)	Fo - 50 MHz	Typ. 46 dBc
	Fo + 50 MHz	Typ. 36 dBc
	Fo - ()MHz	Typ. dBc
	Fo +()MHz	Typ. dBc
Return Loss	Min. 12	dB
Ripple	< 1	dB
Impedance	In / Out : 50 Ω	

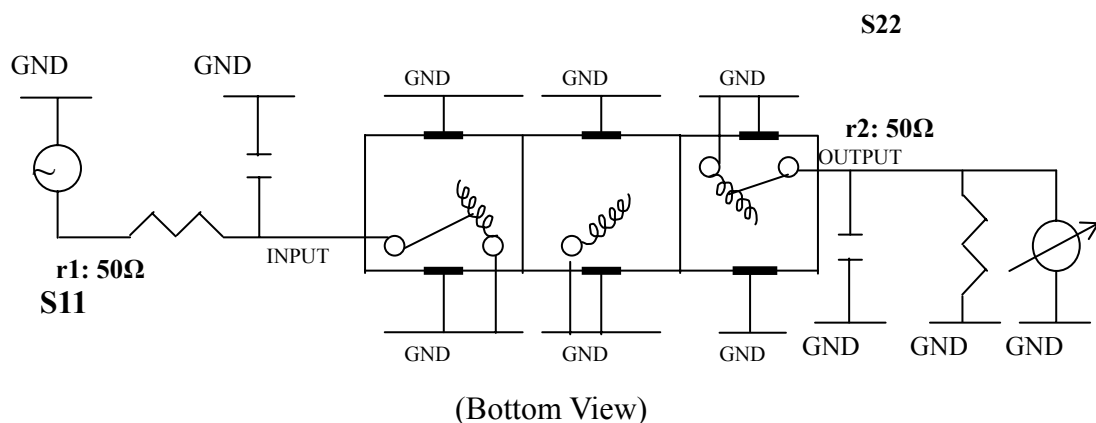
(4) Torque for Tuning Screw > 60gf cm

(5) Temperature Condition:

Operating Temperature	0 ~ +60
Storage Temperature	-20 ~ +70

(6) Input Power > 1Watt

(7) Measuring Circuit: Easy to match Impedance S11/S22 50Ω by parallel with about(--)

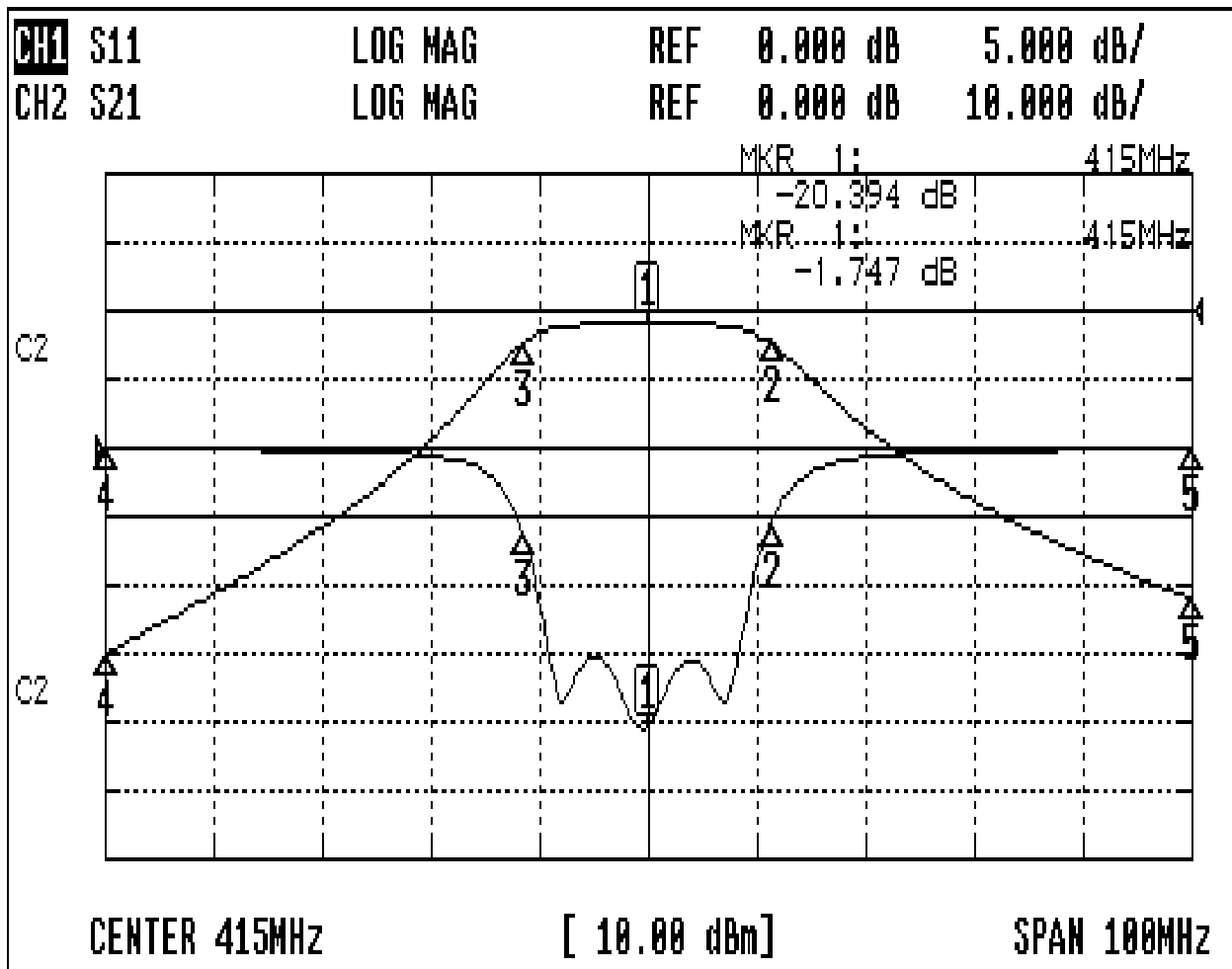


Approval C.Y.Chang	Supervisor C.K.Chang	Designer M.Y.Kang	Aperture size 7H3S(4*7.35)(7.39) 7H046LB4.3 聚 3
-----------------------	-------------------------	----------------------	-------------------------------------------------------

TEMWELL CORPORATION

Performance-TT6778B-415M

201205046CD



CH1 MARKER LIST

1	415.000MHz	-20.383	dB
2	426.333MHz	-15.438	dB
3	403.500MHz	-16.033	dB
4	365.000MHz	-0.092	dB
5	465.000MHz	-0.101	dB

CH2 MARKER LIST

1	415.000MHz	-1.747	dB
2	426.333MHz	-4.724	dB
3	403.500MHz	-4.707	dB
4	365.000MHz	-50.185	dB
5	465.000MHz	-41.955	dB