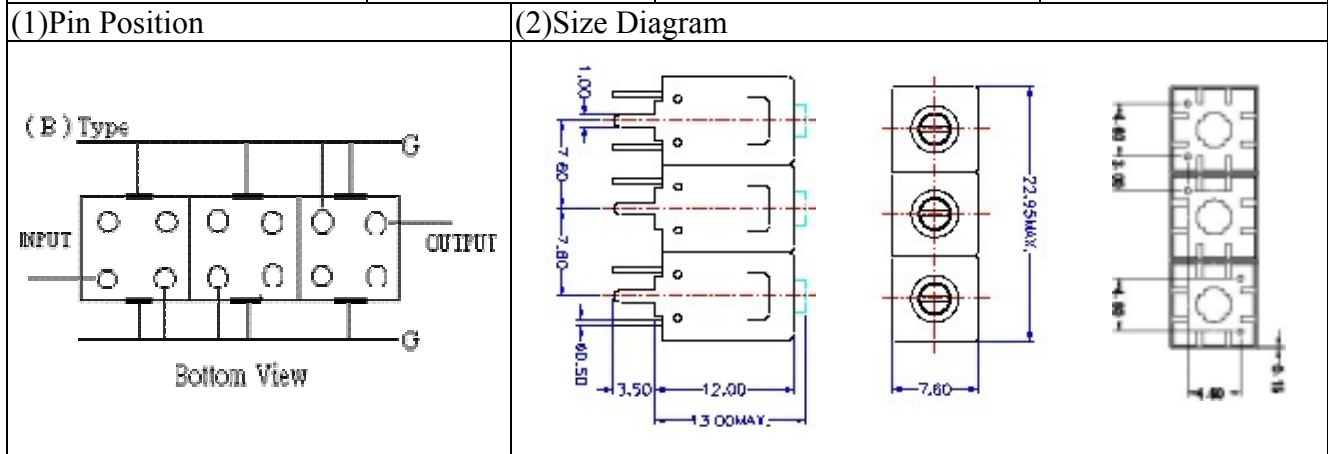


# VHF UHF Helical Filter Specification Sheet

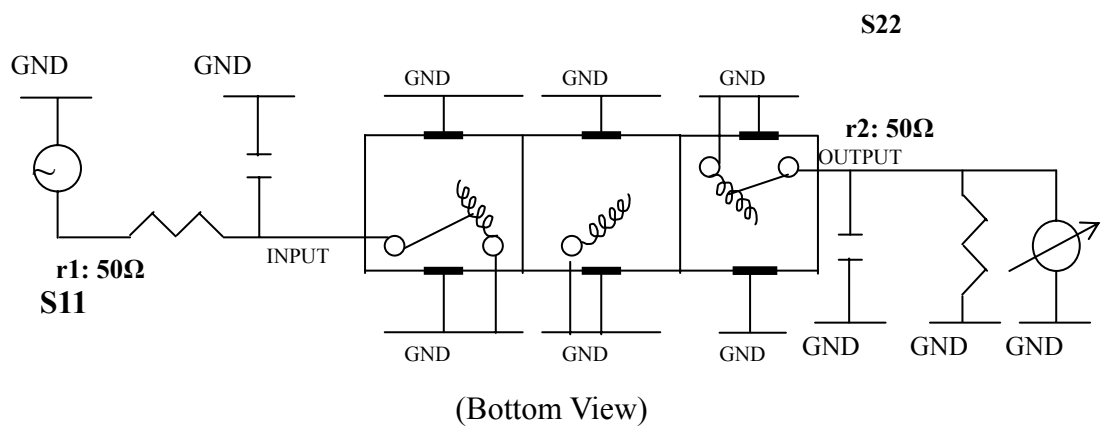
Customer Name		Temwell's Part No.	TT67699B-400M
Approval No. /dated		Temwell's Print name.	67699B 400M
Work Instruction No.	20111115CD	Date	Nov.24.2011



(3) Electric Charasteric

Item	Specify
Center Freq.(Fo ) +/- 0.5 %	400 MHz
Insertion Loss	Typ. 2.0 dB
-3 dB Bandwidth	Typ. 30 MHz
Sensitivity (Attenuation )	Fo - ( 50 ) MHz Typ. 29 dBc
	Fo + ( 50 ) MHz Typ. 23 dBc
	Fo - ( ) MHz Typ. dBc
	Fo + ( ) MHz Typ. dBc
Return Loss	Min. 12 dB
Ripple	< 1 dB
Impedance	In / Out : 50 Ω
(4) Torque for Tuning Screw	> 60gf cm
(5) Temperature Condition:	
Operating Temperature	0 ~ +60
Storage Temperature	-20 ~ +70
(6) Input Power	> 1Watt

(7) Measuring Circuit: Easy to match Impedance S11/S22 50Ω by parallel with about ( ) / ( ).



Approval C.Y.Chang	Supervisor C.K.Chang	Designer C.S.Chang	Aperture size 7H3S(4*6.5)(6.64) 7H046LB5
-----------------------	-------------------------	-----------------------	--

TEMWELL CORPORATION

# Performance-TT67699B-400M

## 20111115CD

