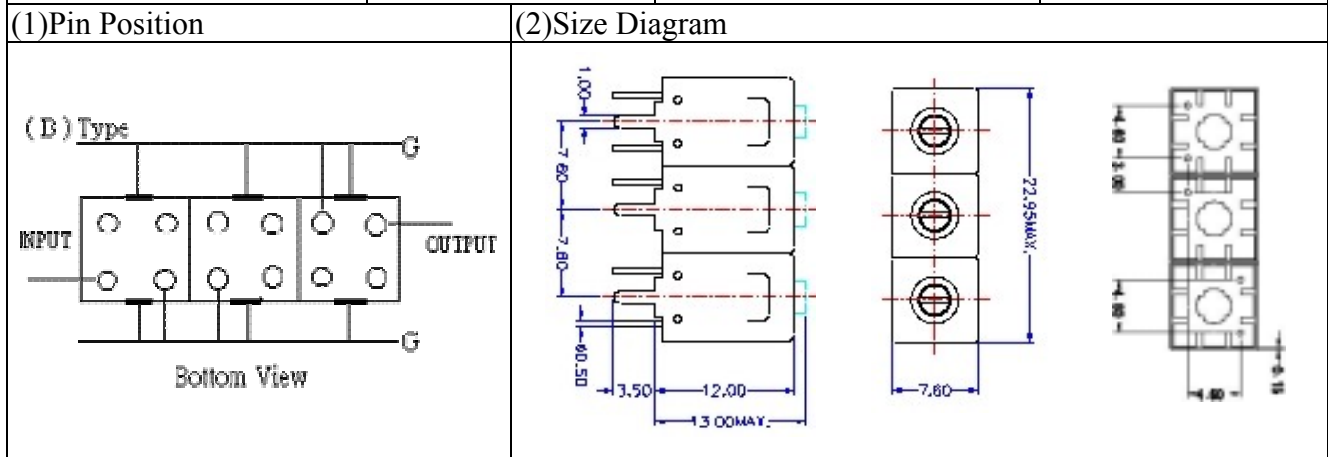


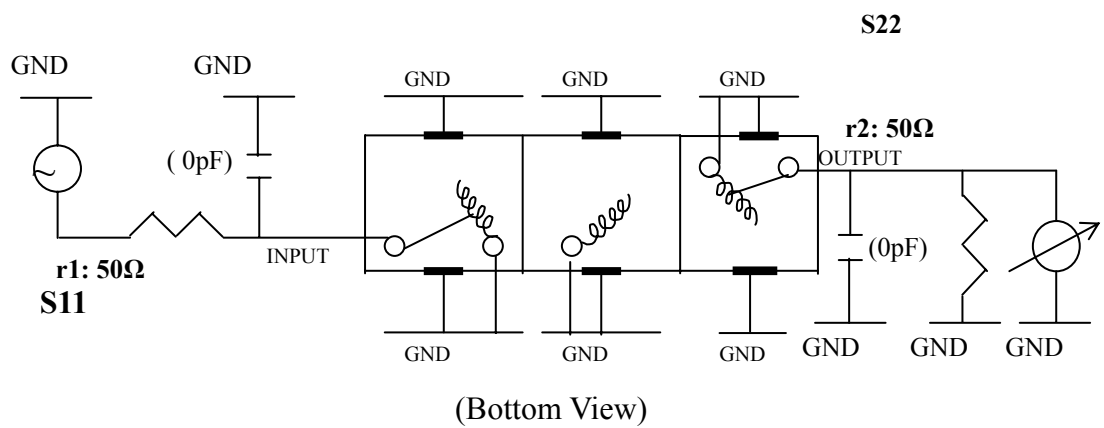
# VHF UHF Helical Filter Specification Sheet

Customer Name		Temwell's Part No.	TT6763B-240M
Approval No. /dated	1001050CD	Customer's Print Name.	6763B 240M
Work Instruction No.	201001050CD	Date	Mar.18.2010



(3) Electric Characteristic	
Item	Specify
Center Freq.(Fo) +/- 0.5 %	240 MHz
Insertion Loss	Typ. 3.0 dB
-3 dB Bandwidth	Typ. 12 MHz
Sensitivity (Attenuation)	Fo - 20 MHz Typ. 28 dBc
	Fo + 20 MHz Typ. 24 dBc
	Fo - ( )MHz Typ. dBc
	Fo +( )MHz Typ. dBc
Return Loss	Min. 12 dB
Ripple	< 1 dB
Impedance	In / Out : 50 Ω
(4) Torque for Tuning Screw > 100gf cm	
(5) Temperature Condition:	
Operating Temperature	0 ~ +60
Storage Temperature	-20 ~ +70
(6) Input Power	> 1Watt

(7) Measuring Circuit: Easy to match Impedance S11/S22 50Ω by parallel with about(0pF) / (0pF).

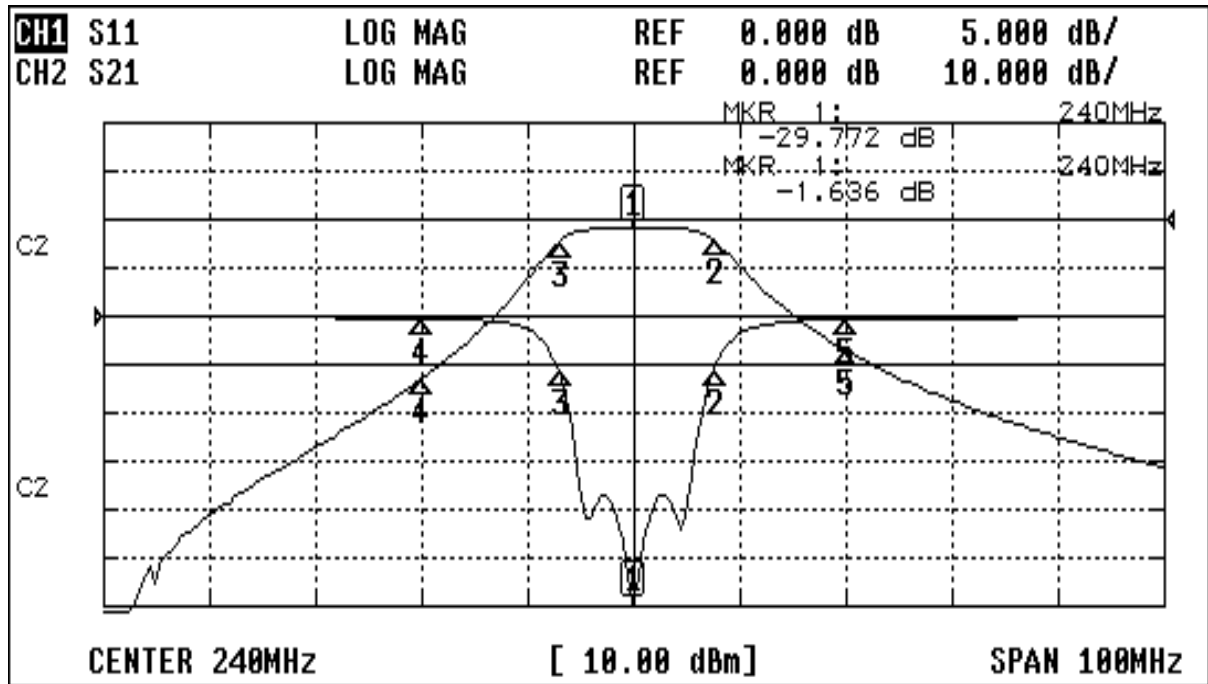


Approval	Supervisor	Designer	Aperture size
C.Y.Chang	C.K.Chang	J.F.Lin	7H3S(4*6.5F)(6.53) (7H024LB4)

TEMWELL CORPORATION

# Performance-TT6763B-240M

## 201001050CD



### CH1 MARKER LIST

Marker	Frequency (MHz)	Magnitude (dB)
1	240.000	-29.772
2	247.666	-15.366
3	233.000	-15.731
4	220.000	-0.224
5	260.000	-0.293

### CH2 MARKER LIST

Marker	Frequency (MHz)	Magnitude (dB)
1	240.000	-1.636
2	247.666	-4.629
3	233.000	-4.675
4	220.000	-32.961
5	260.000	-27.063