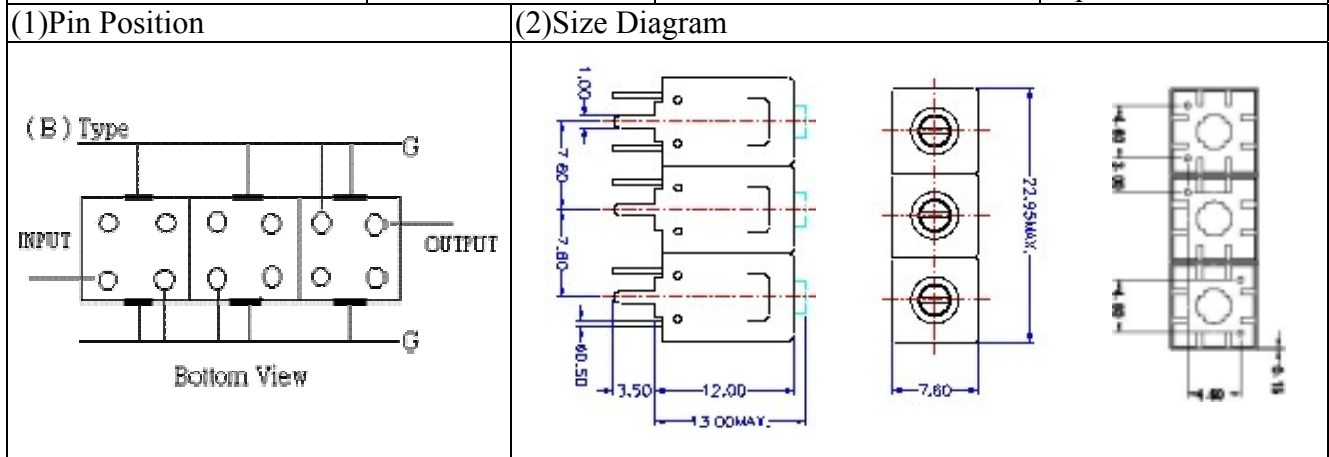


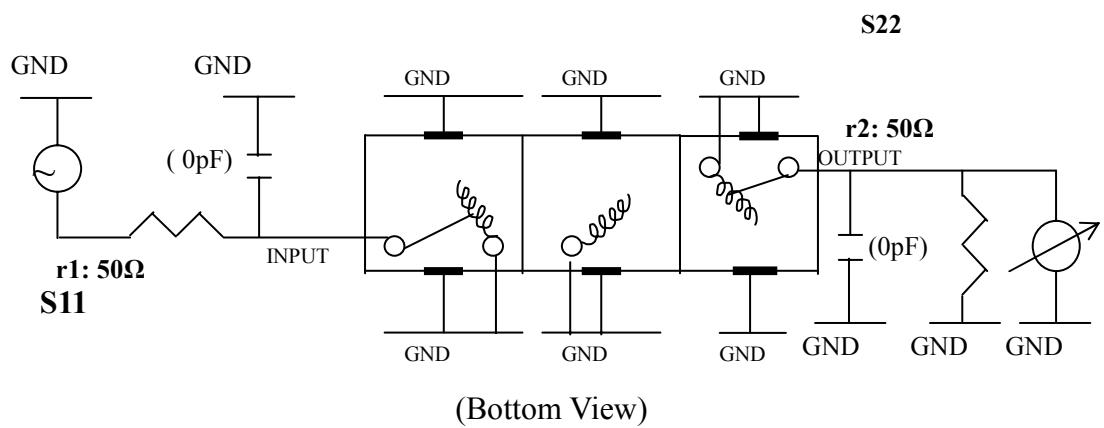
# VHF UHF Helical Filter Specification Sheet

Customer Name		Temwell's Part No.	TT6762B-218M
Approval No. /dated	200808123C	Customer's Print Name.	6762B 218M
Work Instruction No.	200808123C	Date	Sep.01.2008



(3) Electric Characteristic		Item	Specify
		Center Freq.(Fo) +/- 0.5 %	218 MHz
		Insertion Loss	Typ. 3.0 dB
		-3 dB Bandwidth	Typ. 9 MHz
Sensitivity (Attenuation)	Fo - 20 MHz	Typ. 38 dBc	
	Fo + 20 MHz	Typ. 34 dBc	
	Fo - ( )MHz	Typ. dBc	
	Fo +( )MHz	Typ. dBc	
		Return Loss	Min. 12 dB
		Ripple	< 1 dB
		Impedance	In / Out : 50 Ω
(4) Torque for Tuning Screw		> 100gf cm	
(5) Temperature Condition:			
Operating Temperature		0 ~ +60	
Storage Temperature		-20 ~ +70	
(6) Input Power		> 1 Watt	

(7) Measuring Circuit: Easy to match Impedance S11/S22 50Ω by parallel with about(0pF) / (0pF).

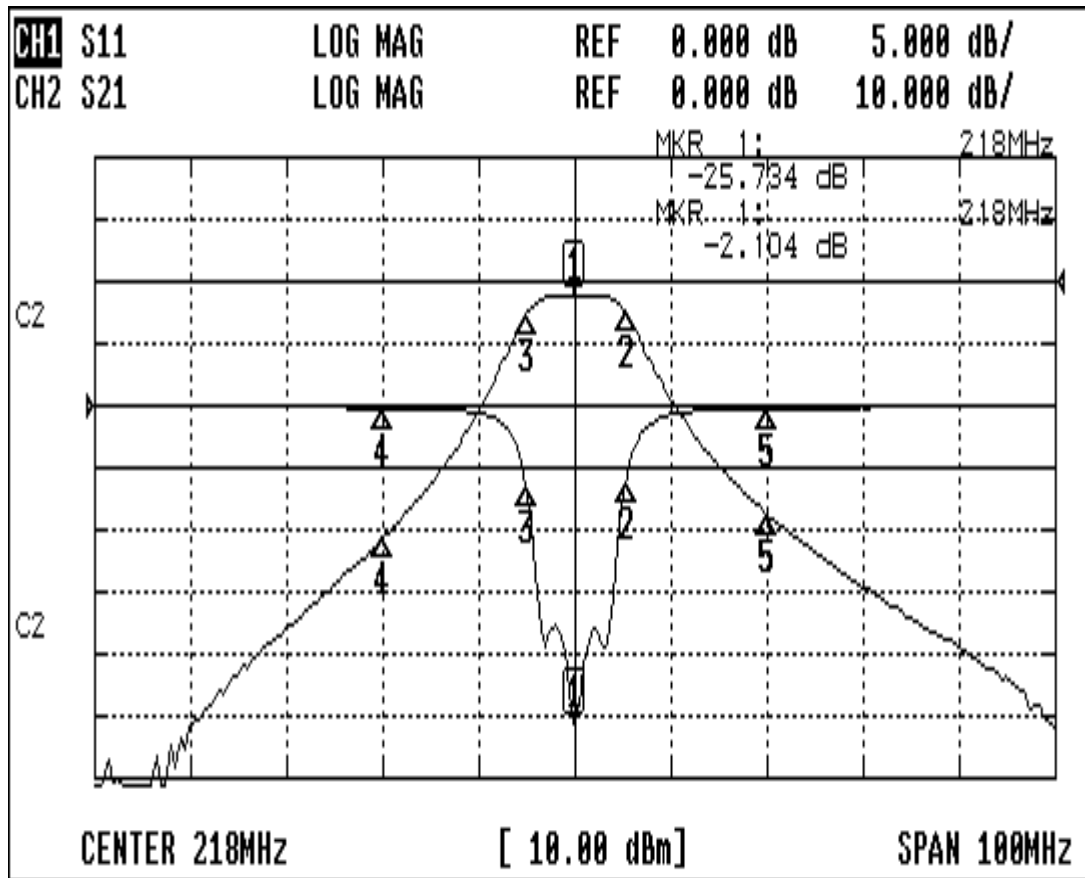


Approval	Supervisor	Designer	Aperture size
C.Y.Chang	C.S.Chang	C.H.Yeh	7H3S(4*5.5F) (7H024LB4)

TEMWELL CORPORATION

# Performance-TT6762B-218M

## 200808123C



### CH1 MARKER LIST

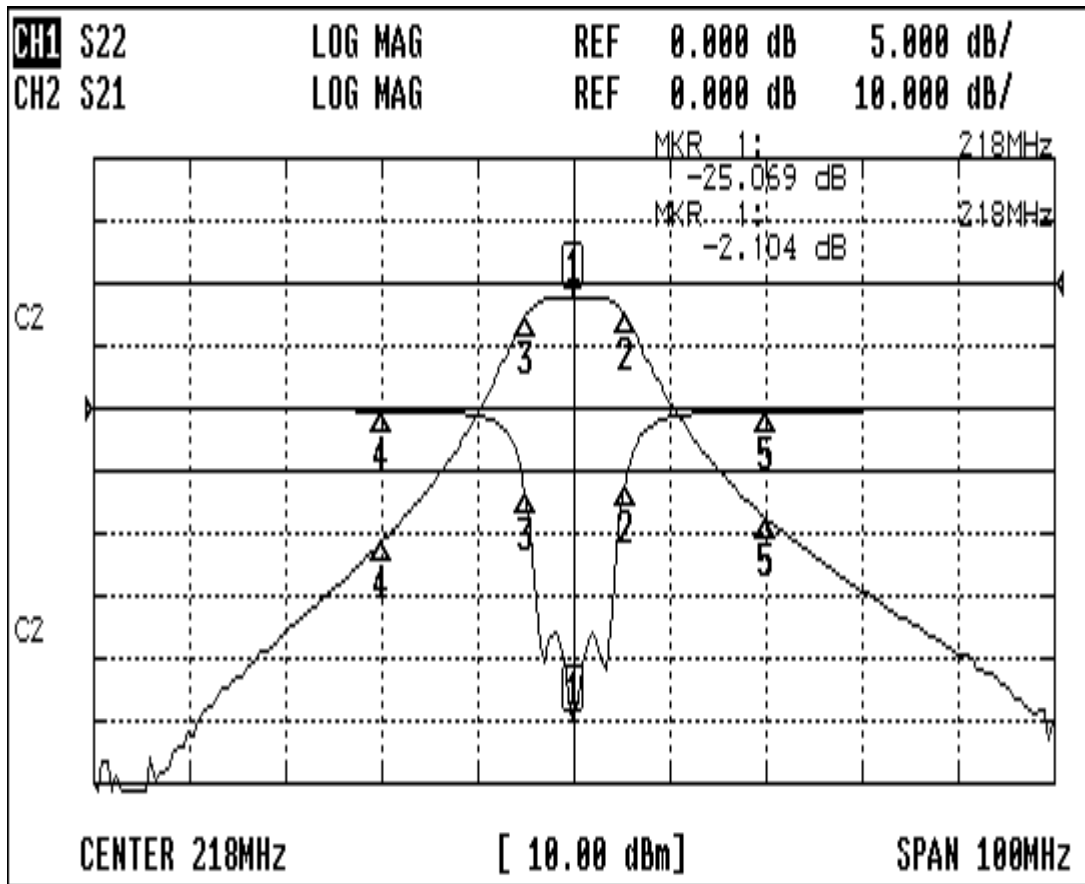
1:	218.000MHz	-25.718 dB
2:	223.416MHz	-5.910 dB
3:	213.000MHz	-6.523 dB
4:	198.000MHz	-0.177 dB
5:	238.000MHz	-0.212 dB
6:		
7:		
8:		
9:		
10:		

### CH2 MARKER LIST

1:	218.000MHz	-2.104 dB
2:	223.416MHz	-5.183 dB
3:	213.000MHz	-5.035 dB
4:	198.000MHz	-41.448 dB
5:	238.000MHz	-37.403 dB
6:		
7:		
8:		
9:		
10:		

# Performance-TT6762B-218M

## 200808123C



**CH1 MARKER LIST**

1:	218.000MHz	-25.072 dB
2:	223.416MHz	-6.034 dB
3:	213.000MHz	-6.656 dB
4:	198.000MHz	-0.177 dB
5:	238.000MHz	-0.212 dB
6:		
7:		
8:		
9:		
10:		

**CH2 MARKER LIST**

1:	218.000MHz	-2.104 dB
2:	223.416MHz	-5.195 dB
3:	213.000MHz	-5.037 dB
4:	198.000MHz	-41.463 dB
5:	238.000MHz	-37.449 dB
6:		
7:		
8:		
9:		
10:		