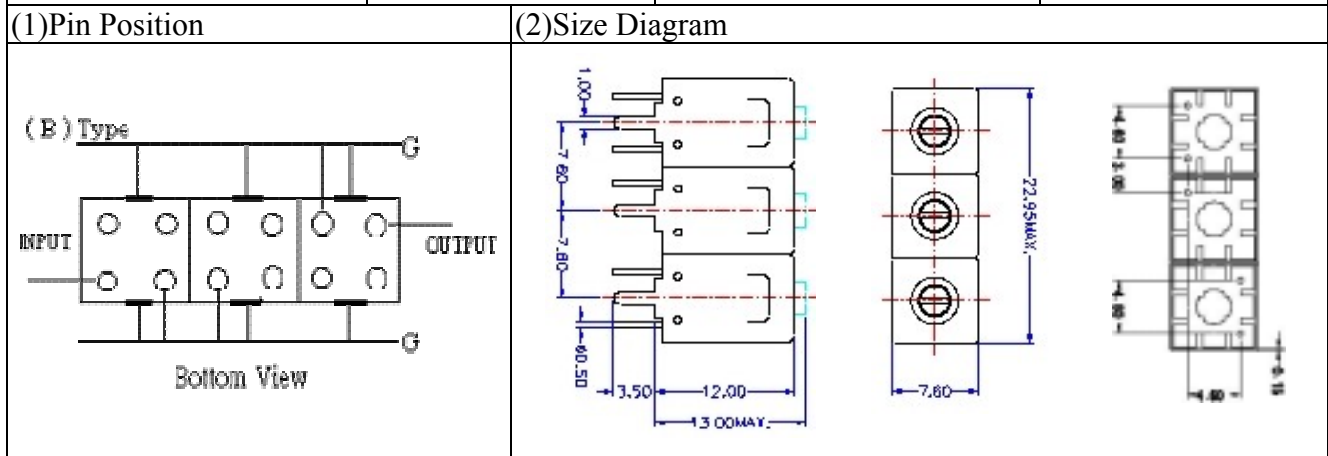


VHF UHF Helical Filter Specification Sheet

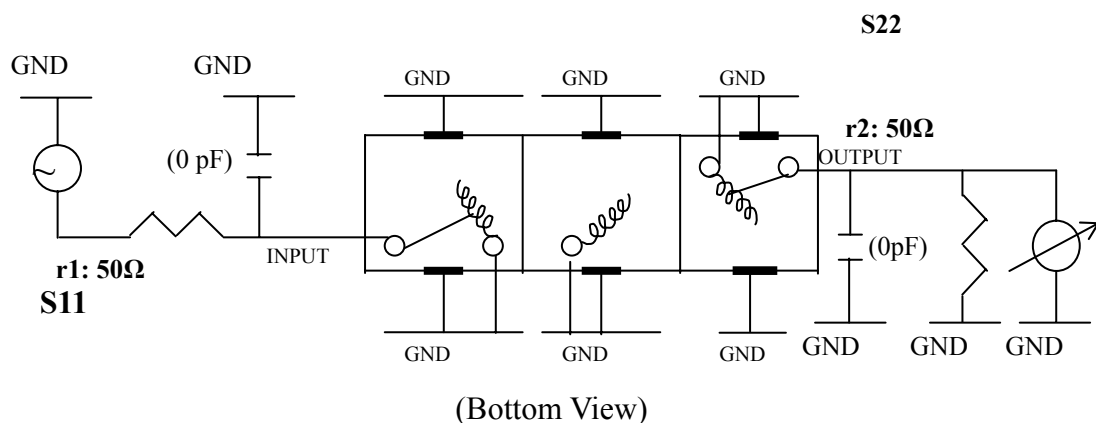
Customer Name		Temwell's Part No.	TT6761B-200M
Approval No. /dated	1001048CD	Temwell's Print name.	6761B 200M
Work Instruction No.	201001048CD	Date	Mar.18.2010



(3) Electric Charasteric

Item	Specify		
Center Freq.(Fo) +/- 0.5 %	200		MHz
Insertion Loss	Typ.	3.0	dB
-3 dB Bandwidth	Typ.	11	MHz
Sensitivity (Attenuation)	Fo - (20) MHz	Typ.	25 dBc
	Fo + (20) MHz	Typ.	20 dBc
	Fo - () MHz	Typ.	dBc
	Fo + () MHz	Typ.	dBc
Return Loss	Min.	12	dB
Ripple		< 1	dB
Impedance	In / Out : 50 Ω		
(4)Torque for Tuning Screw	> 60gf cm		
(5)Temperature Condition:			
Operating Temperature	0 ~ +60		
Storage Temperature	-20 ~ +70		
(6)Input Power	> 1Watt		

(7)Measuring Circuit: Easy to match Impedance S11/S22 50Ωby parallel with about(0pF) / (0pF).

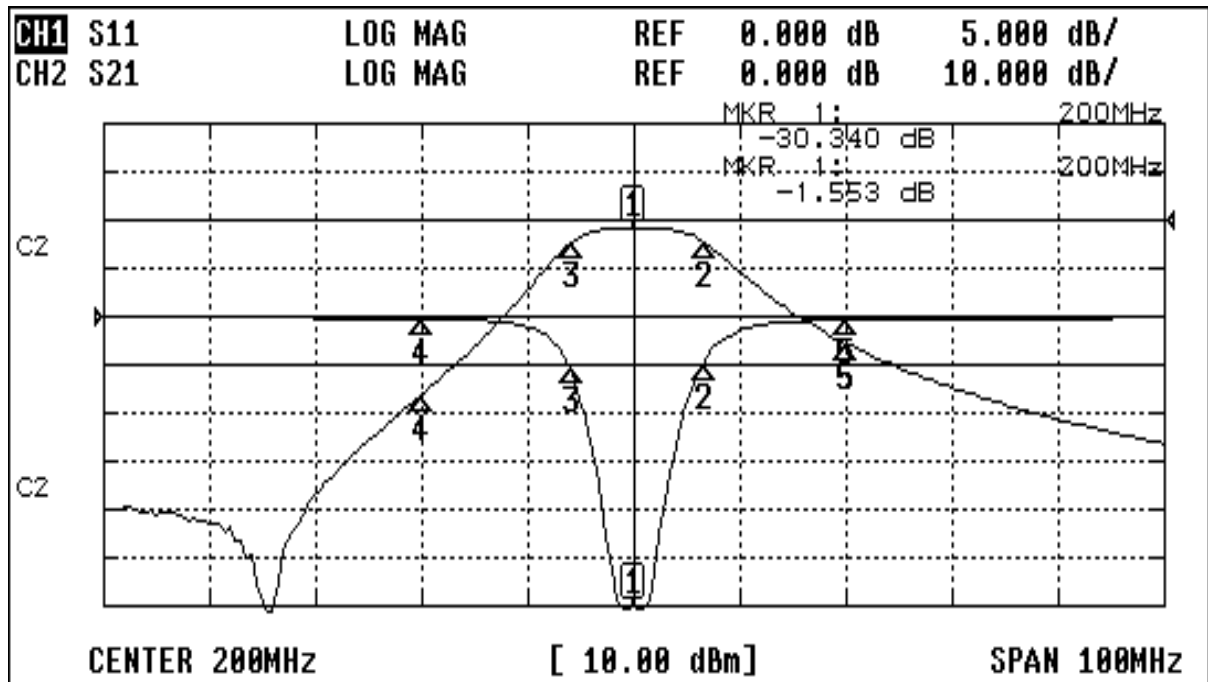


Approval C.Y.Chang	Supervisor C.K.Chang	Designer F.L.Lai	Aperture size 7H3S(4*7.5)(7.54) 7H024RB4
-----------------------	-------------------------	---------------------	--

TEMWELL CORPORATION

Performance-TT6761B-200M

201001048CD



CH1 MARKER LIST			
1	200.000MHz	-30.340	dB
2	206.583MHz	-4.004	dB
3	194.083MHz	-5.540	dB
4	180.000MHz	-0.295	dB
5	220.000MHz	-0.310	dB

CH2 MARKER LIST			
1	200.000MHz	-1.553	dB
2	206.583MHz	-4.006	dB
3	194.083MHz	-4.007	dB
4	180.000MHz	-36.200	dB
5	220.000MHz	-25.009	dB