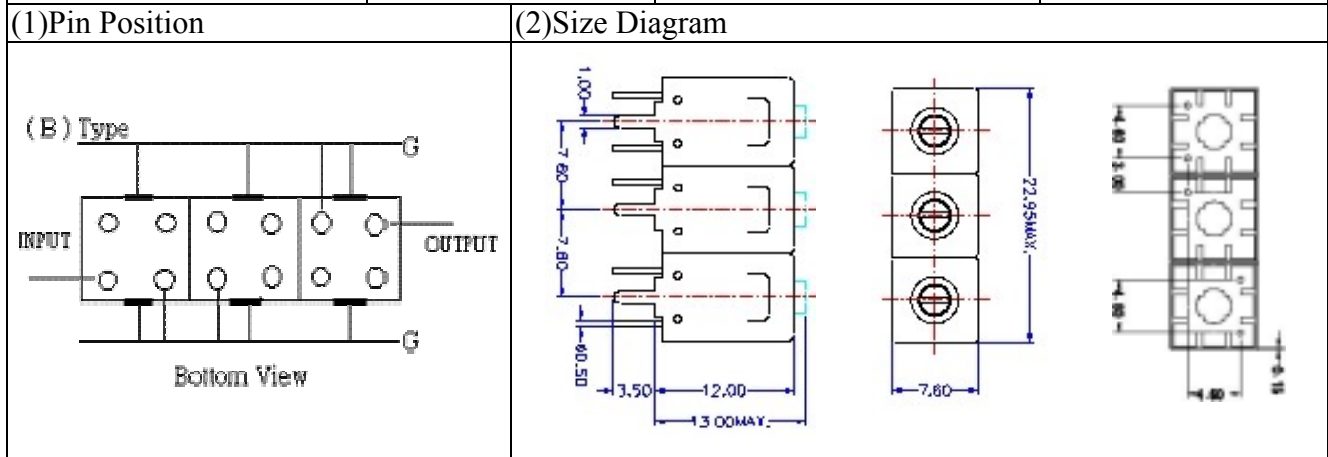
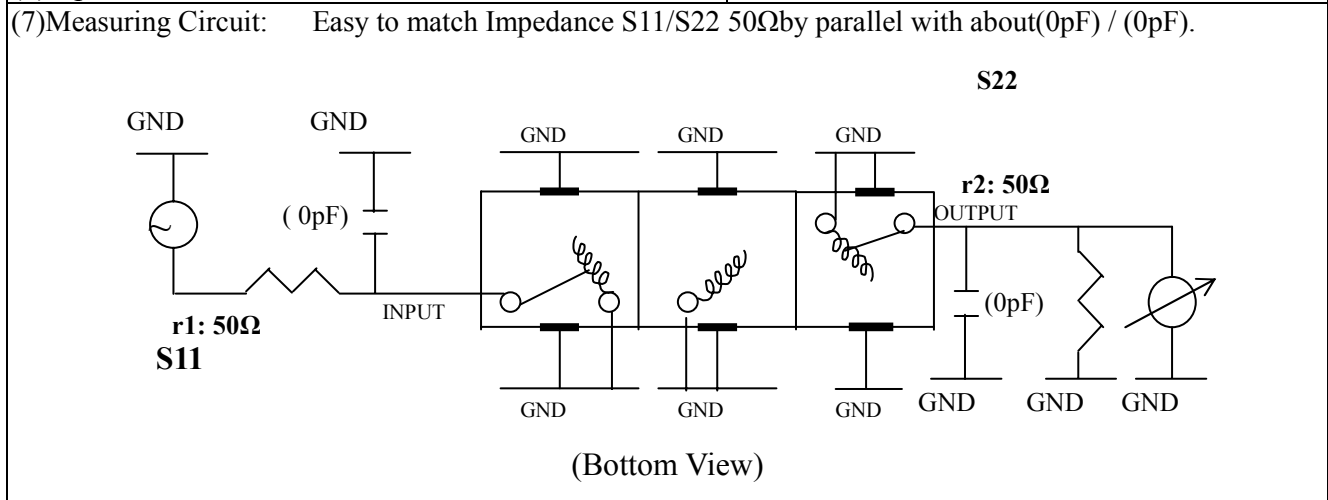


VHF UHF Helical Filter Specification Sheet

Customer Name		Temwell's Part No.	TT67485B-350M
Approval No. /dated	0801040APR	Customer's Print Name.	67485B 350M
Work Instruction No.	200810091A	Date	Nov.07.2008



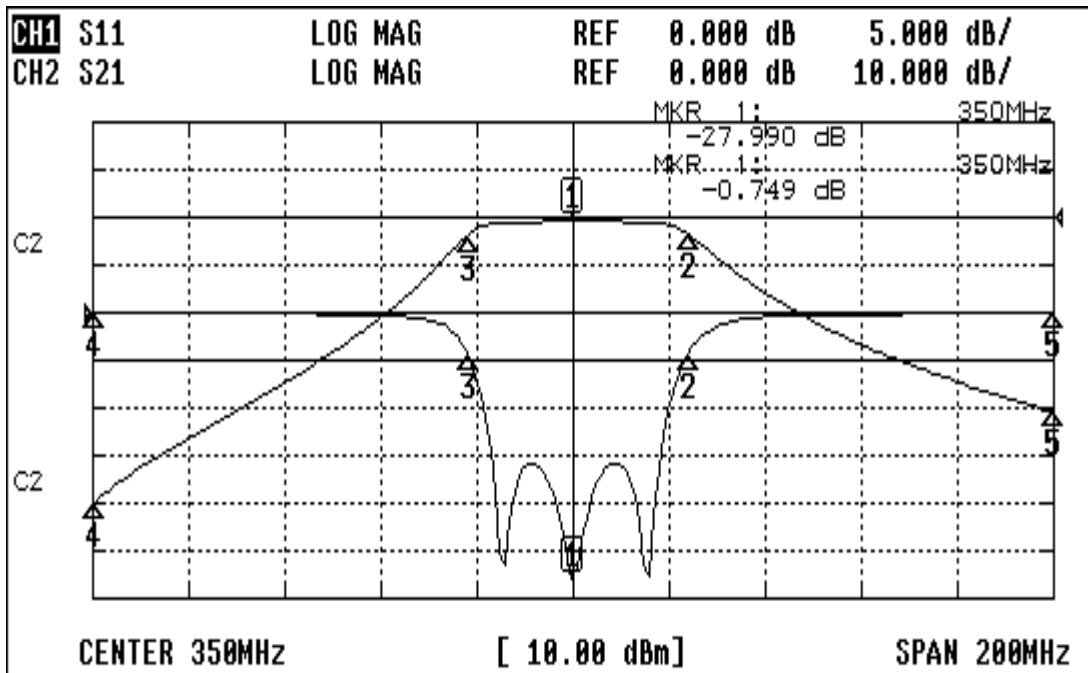
(3) Electric Characteristic	
Item	Specify
Center Freq.(Fo) +/- 0.75 %	350 MHz
Tunable Range:	350±3 MHz
Insertion Loss	Typ. 2.0 dB
-3 dB Bandwidth	Typ. 43 MHz
Sensitivity (Attenuation)	Fo - 100 MHz Typ. 48 dBc
	Fo + 100 MHz Typ. 36 dBc
	Fo - ()MHz Typ. dBc
	Fo +()MHz Typ. dBc
Return Loss	Min. 12 dB
Ripple	< 1 dB
Impedance	In / Out : 50 Ω
(4) Torque for Tuning Screw	
> 100gf cm	
(5) Temperature Condition:	
Operating Temperature	-30 ~ +70
Storage Temperature	-30 ~ +80
(6) Input Power	
> 1Watt	



Approval	Supervisor	Designer	Aperture size
C.Y.Chang	C.S.Chang	J.F.Lin	7H3(4*6.5)F 7H046LB5.5
TEMWELL CORPORATION			

Performance-TT67485B-350M

200810091A



CH1 MARKER LIST

1:	350.000MHz	-27.990 dB
2:	374.166MHz	-4.238 dB
3:	328.333MHz	-4.394 dB
4:	250.000MHz	-0.098 dB
5:	450.000MHz	-0.113 dB

CH2 MARKER LIST

1:	350.000MHz	-0.749 dB
2:	374.166MHz	-3.746 dB
3:	328.333MHz	-3.740 dB
4:	250.000MHz	-60.208 dB
5:	450.000MHz	-40.799 dB