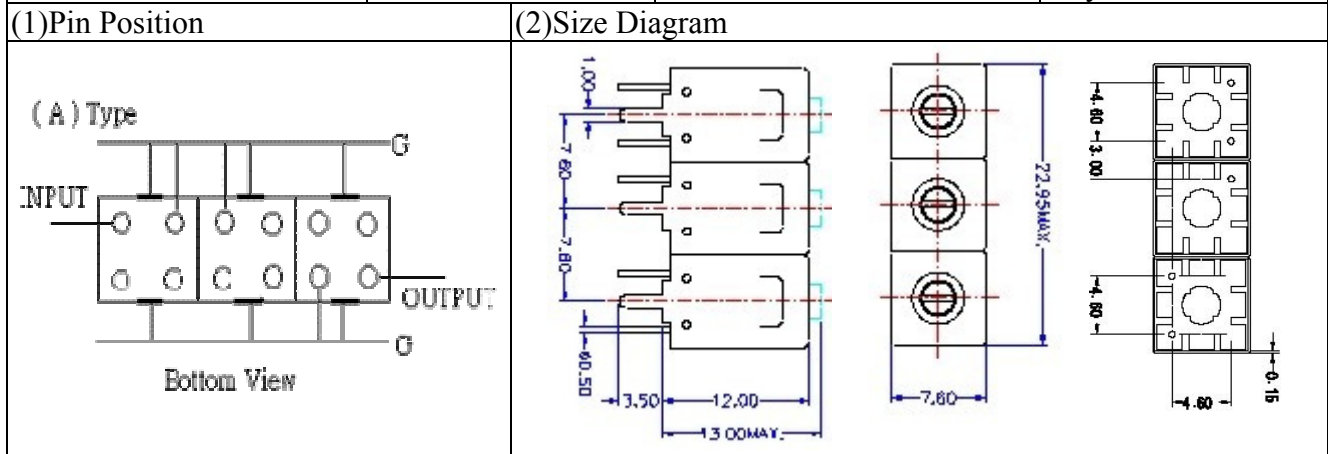
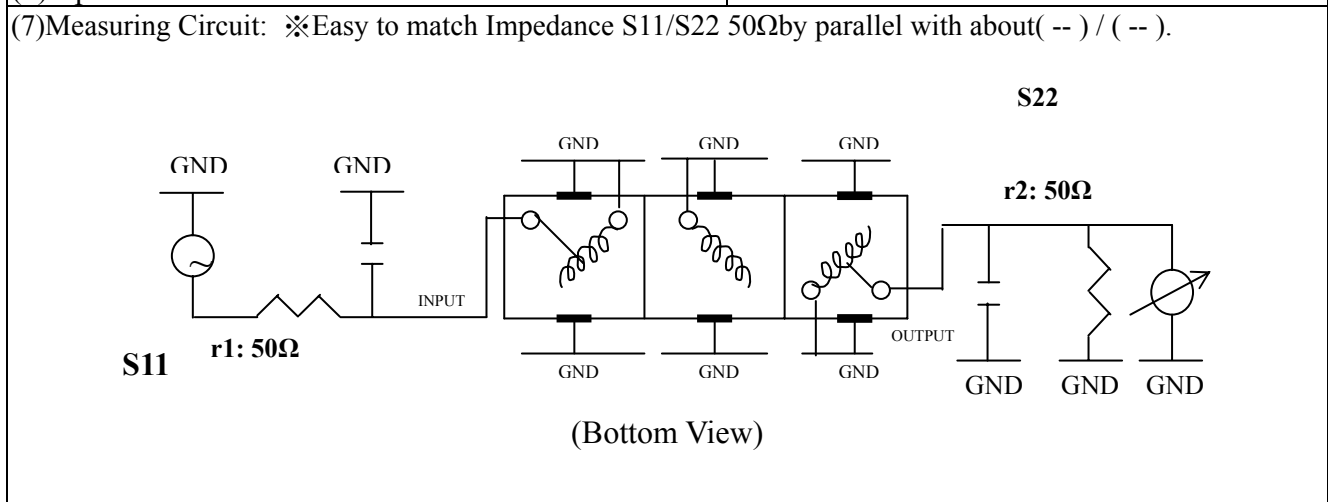


VHF UHF Helical Filter Specification Sheet

Customer Name		Temwell's Part No.	TT67379A-160M
Approval No. /dated		Temwell's Print Name.	67379A 160M
Work Instruction No.	201205066B	Date	May.24.2012



(3) Electric Characteristic		Item	Specify
		Center Freq.(Fo) +/- 0.5 %	160 MHz
		Insertion Loss	Typ. 2.5 dB
		-3 dB Bandwidth	Typ. 19 MHz
Sensitivity (Attenuation)	Fo - 50 MHz	Typ. 51 dBc	
	Fo + 50 MHz	Typ. 40 dBc	
	Fo - ()MHz	Typ. dBc	
	Fo +()MHz	Typ. dBc	
		Return Loss	Min. 12 dB
		Ripple	< 1 dB
		Impedance	In / Out : 50 Ω
(4) Torque for Tuning Screw		> 60gf · cm	
(5) Temperature Condition:			
Operating Temperature		0°C ~ +60°C	
Storage Temperature		-20°C ~ +70°C	
(6) Input Power		> 1Watt	



Approval C.Y.Chang	Supervisor C.K.Chang	Designer M.Y.Kang	Aperture size 7H3S(4*7.5)(7.54) 7H024RB4 / 7H024RB6.5
TEMWELL CORPORATION			

Performance-TT67379A-160M

201205066B

