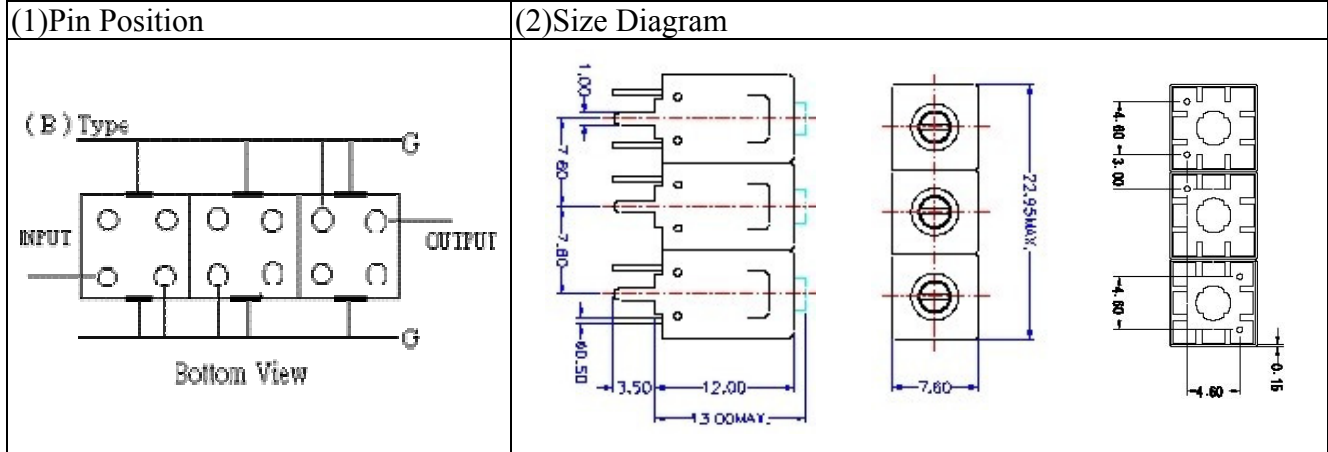
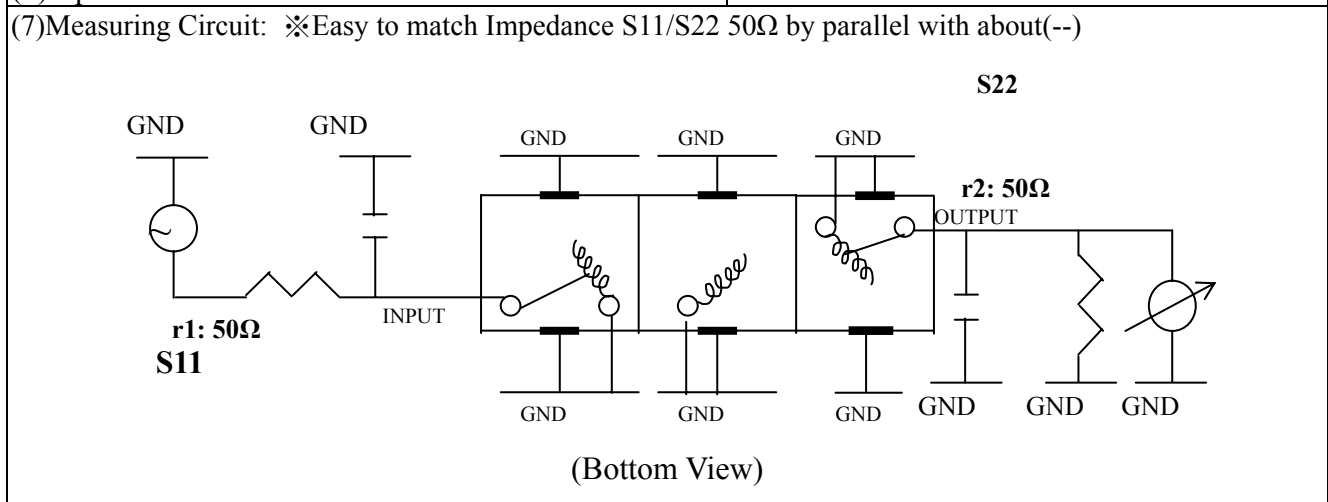


VHF UHF Helical Filter Specification Sheet

Customer Name		Temwell's Part No.	TT67377B-164M
Approval No. /dated		Customer's Print Name.	67377B 164M
Work Instruction No.	201205016BD	Date	May.05.2012



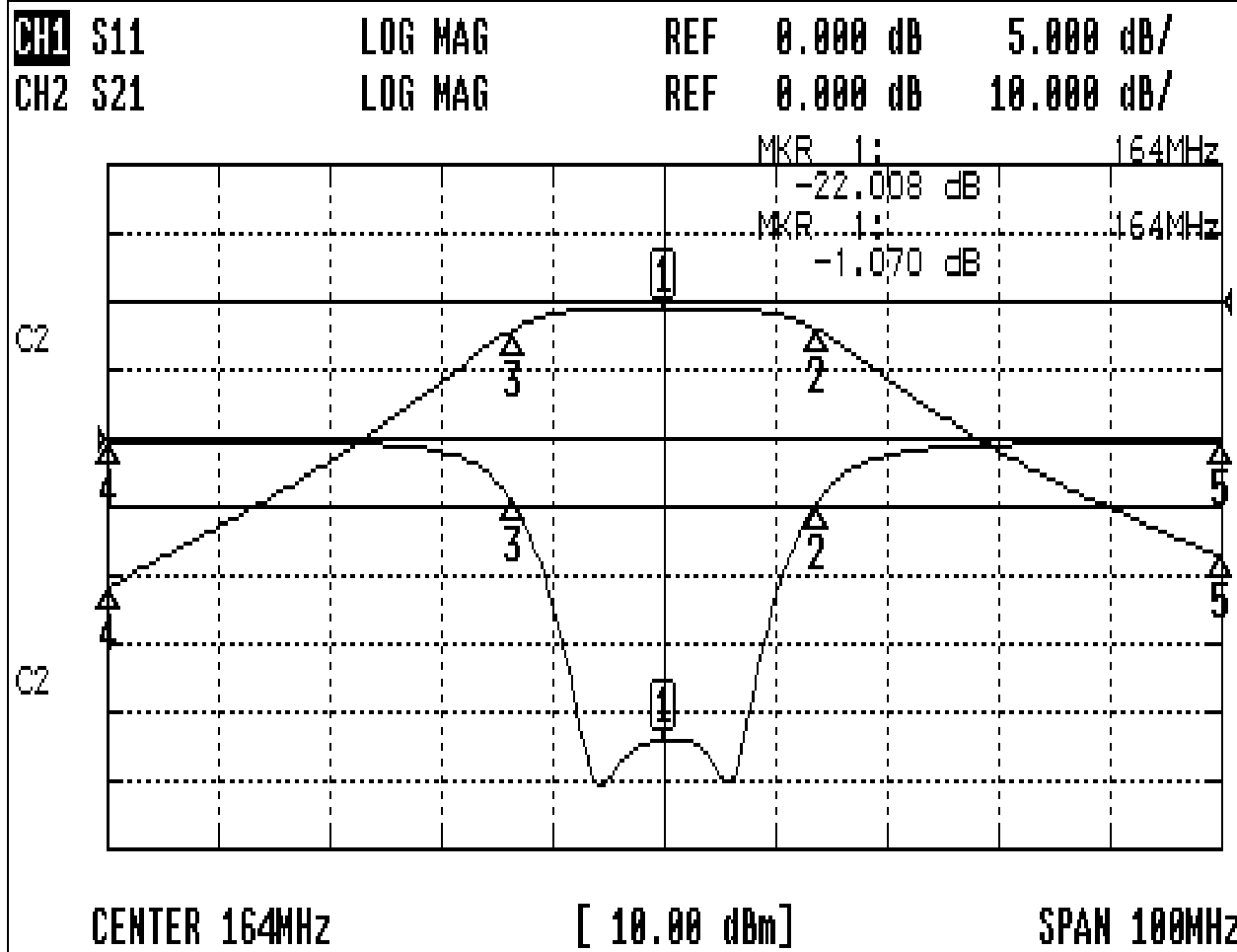
(3) Electric Charasteric		Item	Specify
Center Freq.(Fo) +/- 0.5 %			164 MHz
Insertion Loss		Typ.	2.5 dB
-3 dB Bandwidth		Typ.	26 MHz
Sensitivity (Attenuation)	Fo - 50 MHz	Typ.	37 dBc
	Fo + 50 MHz	Typ.	33 dBc
	Fo - ()MHz	Typ.	dBc
	Fo +()MHz	Typ.	dBc
Return Loss		Min.	12 dB
Ripple			< 1 dB
Impedance			In / Out : 50 Ω
(4) Torque for Tuning Screw			> 60gf • cm
(5) Temperature Condition:			
Operating Temperature			0°C ~ +60°C
Storage Temperature			-20°C ~ +70°C
(6) Input Power			> 1Watt



Approval C.Y.Chang	Supervisor C.K.Chang	Designer M.Y.Kang	Aperture size 7H3S(4*5.5)(5.59) 7H024LB6.5
TEMWELL CORPORATION			

Performance-TT67377B-164M

201205016BD



CH1 MARKER LIST

1:	164.000MHz	-21.997 dB
2:	177.666MHz	-4.764 dB
3:	150.416MHz	-4.597 dB
4:	114.000MHz	-0.173 dB
5:	214.000MHz	-0.261 dB

CH2 MARKER LIST

1:	164.000MHz	-1.070 dB
2:	177.666MHz	-4.057 dB
3:	150.416MHz	-4.028 dB
4:	114.000MHz	-41.897 dB
5:	214.000MHz	-37.259 dB