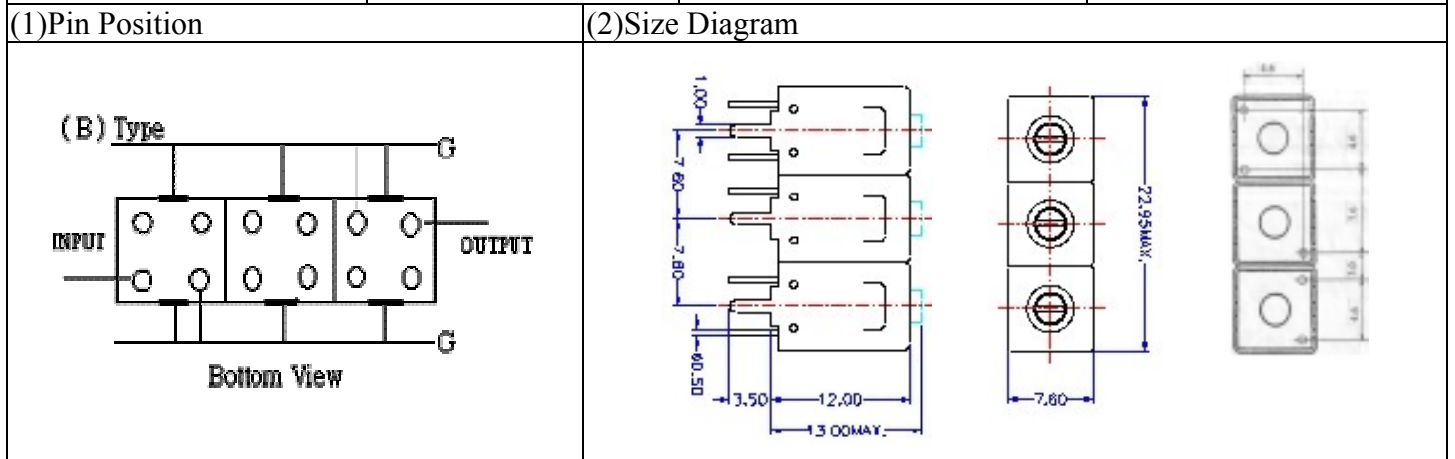


VHF UHF Helical Filter Specification Sheet

Customer Name		Temwell's Part No.	TT67285B-172M
Approval No. /dated	20210049A	Temwell Print Name	166~195M
Work Instruction No.	20210049A	Date	Nov.12.2002



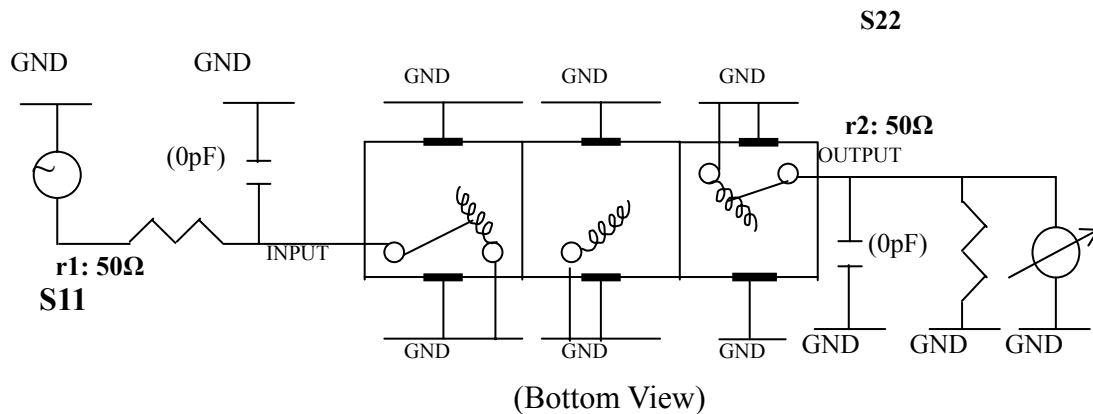
(3) Electric Character		Item	Specify
Center Freq.(Fo) +/- 0.5 %			172 MHz
Insertion Loss		Typ.	5.0 dB
-3 dB Bandwidth		Typ.	5 MHz
Sensitivity (Attenuation)	Fo - 20 MHz	Typ.	49 dBc
	Fo + 20 MHz	Typ.	45 dBc
	Fo - ()MHz	Typ.	dBc
	Fo +()MHz	Typ.	dBc
Return Loss		Min.	12 dB
Ripple			< 1 dB
Impedance			In / Out : 50 Ω

(4) Torque for Tuning Screw > 60gf cm

(5) Temperature Condition:	
Operating Temperature	-30 ~ +70
Storage Temperature	-30 ~ +80

(6) Input Power > 1Watt

(7) Measuring Circuit: Easy to match Impedance S11/S22 50Ω/by parallel with about (0 pF) / (0 pF).



Approval	Supervisor	Designer	Aperture size
C.Y. Chang	C.S. Chang	C.S. Chang	7H3S 4*5.5 7H024LB4

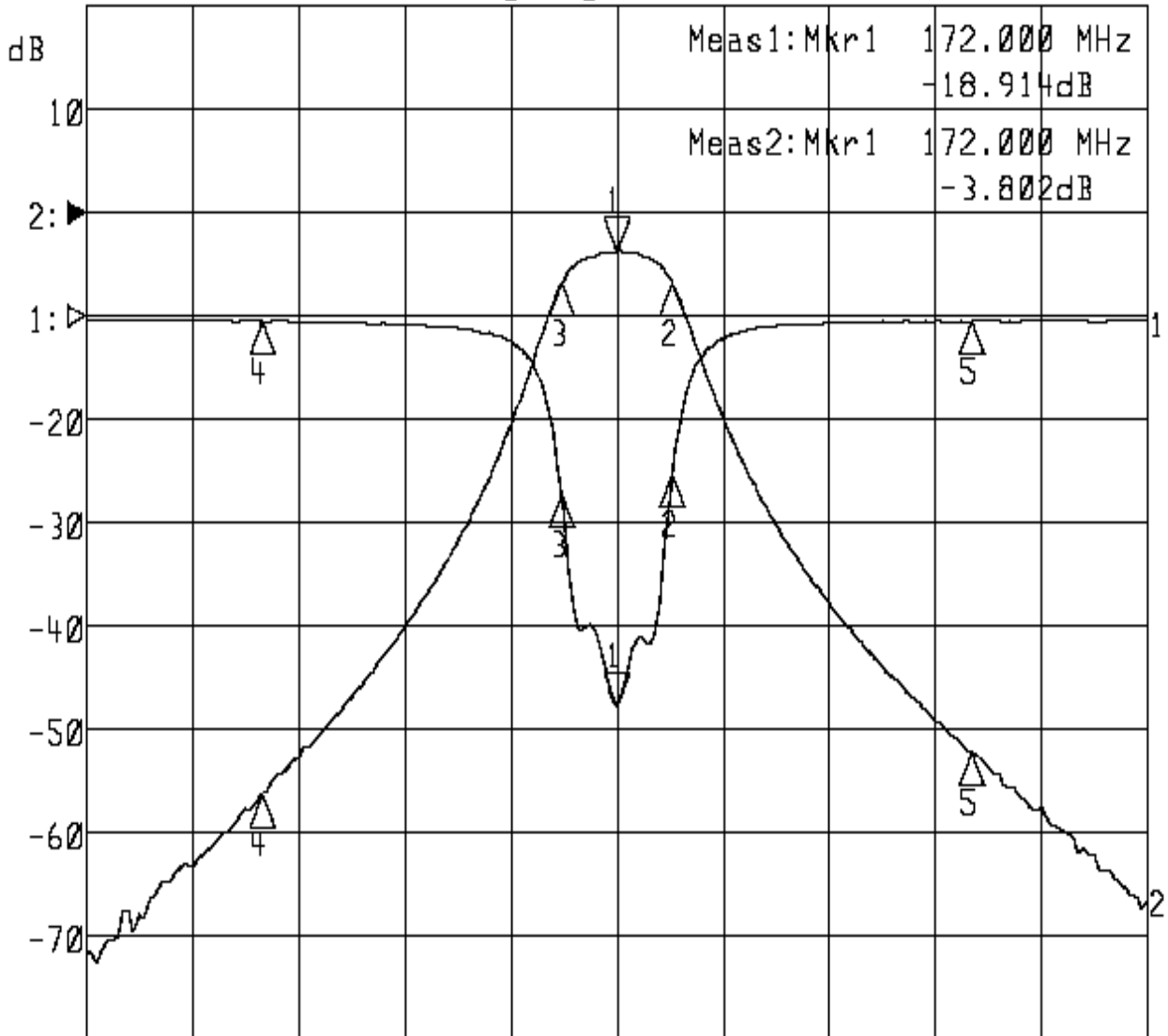
TEMWELL CORPORATION

TEMWELL

Performance-TT67285B-172M

20210049A

▶1:S11 Refl Port1 Log Mag 5.0 dB/ Ref 0.00 dB C
 ▶2:S12 Rev Trans Log Mag 10.0 dB/ Ref 0.00 dB C



Center 172.000 MHz

Span 60.000 MHz

1: Mkr (MHz)	dB	2: Mkr (MHz)	dB
1> 172.0000	-18.914	1> 172.0000	-3.802
2: 175.1467	-7.608	2: 175.1467	-6.830
3: 168.8867	-8.621	3: 168.8867	-6.836
4: 152.0000	-0.275	4: 152.0000	-56.148
5: 192.0000	-0.276	5: 192.0000	-52.206