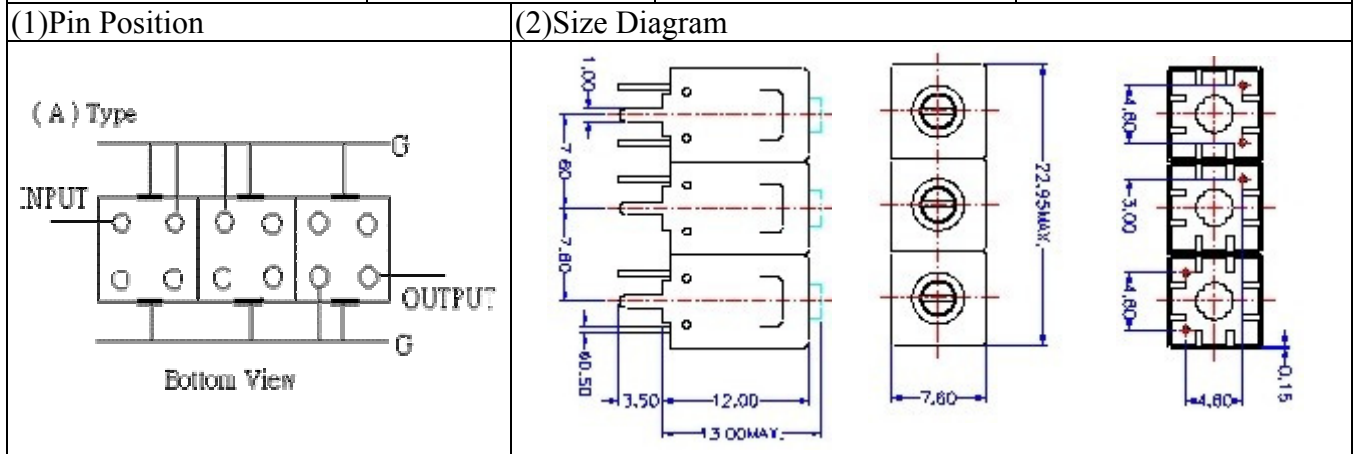
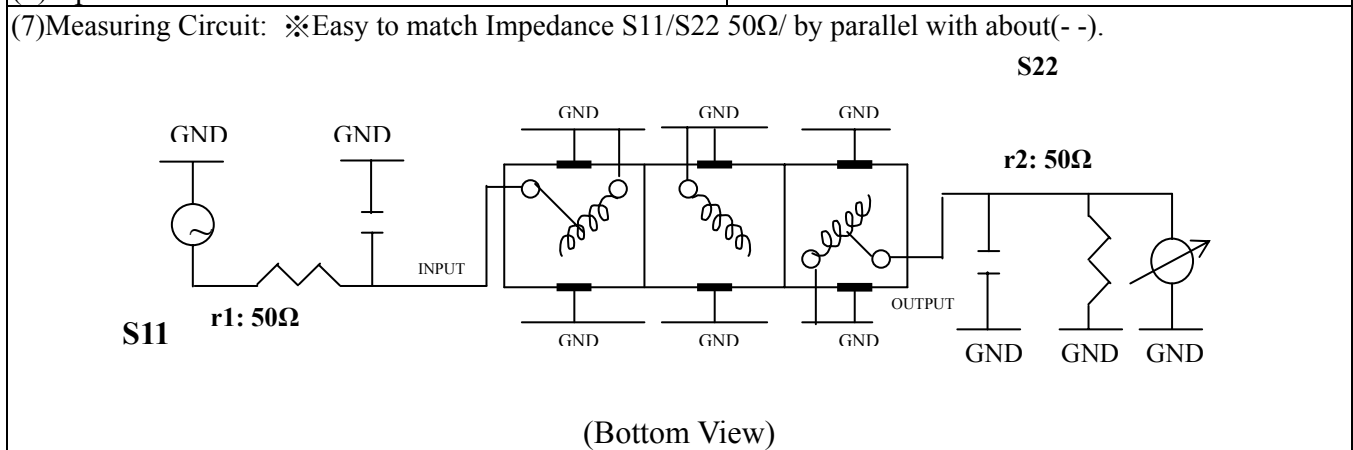


VHF UHF Helical Filter Specification Sheet

Customer Name		Temwell's Part No.	TT67197A-121.5M
Approval No. /dated		Temwell's print name	67197A 121.5M
Work Instruction No.	201201025B	Date	Jan.04.2012



(3) Electric Characteristic	
Item	Specify
Center Freq.(Fo) +/- 0.5 %	121.5 MHz
Insertion Loss	Typ. 4.0 dB
-3 dB Bandwidth	Typ. 5 MHz
Sensitivity (Attenuation)	Fo - 10 MHz Typ. 29 dBc
	Fo + 10 MHz Typ. 20 dBc
	Fo - ()MHz Typ. dBc
	Fo +()MHz Typ. dBc
Return Loss	Min. 12 dB
Ripple	< 1 dB
Impedance	In / Out : 50 Ω
(4) Torque for Tuning Screw	> 60gf • cm
(5) Temperature Condition:	
Operating Temperature	0°C ~ +60°C
Storage Temperature	-20°C ~ +70°C
(6) Input Power	> 1Watt



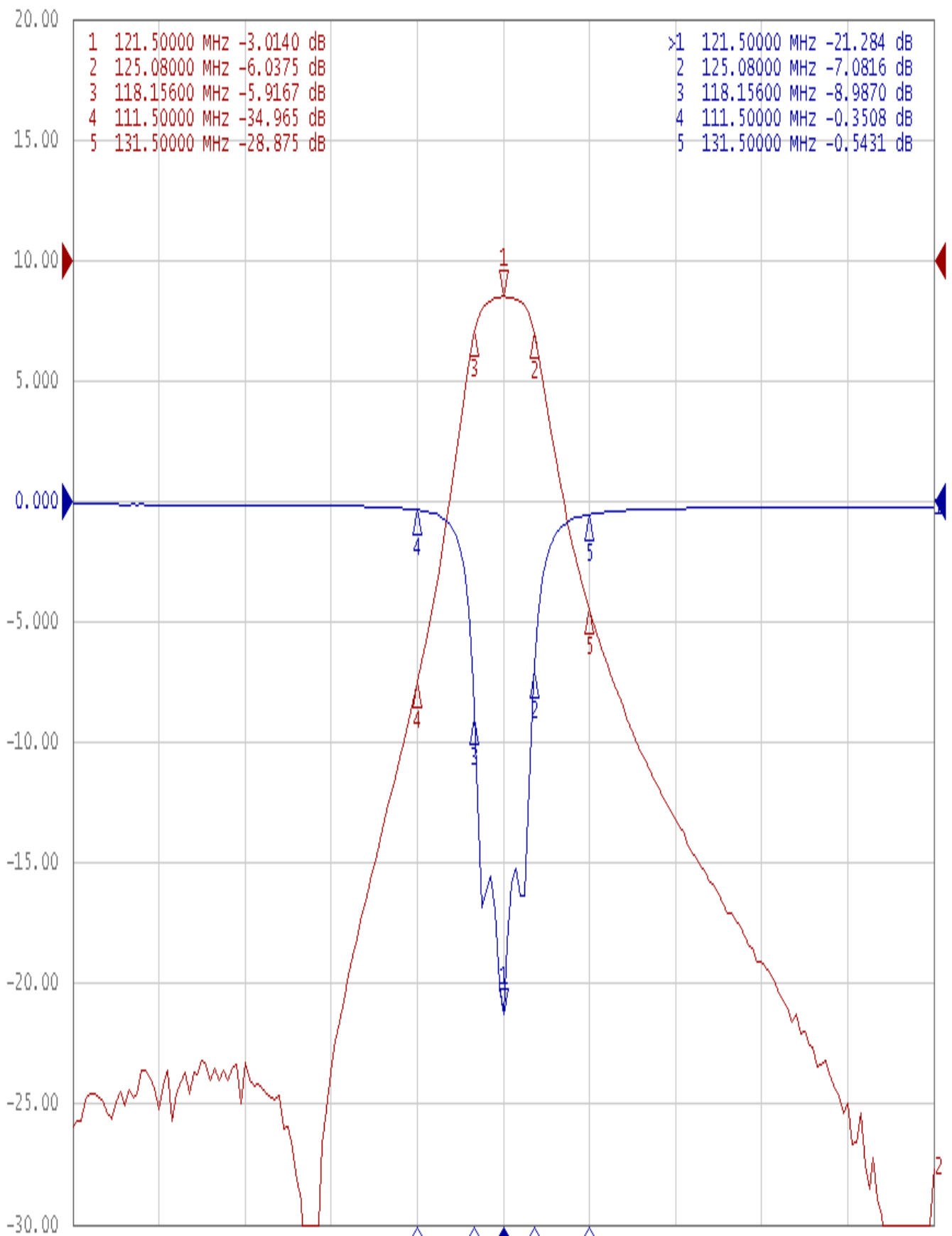
Approval	Supervisor	Designer	Aperture size
C.Y.Chang	C.K.Chang	P.H.Chiang	7H3S(4*6.35)(6.38) 7H00LB4

TEMWELL CORPORATION

Performance-TT67197A-121.5M

201201025B

Tr1 S11 Log Mag 5.000dB/ Ref 0.000dB [F2]
Tr2 S21 Log Mag 10.00dB/ Ref 0.000dB [F2]



1 Center 121.5 MHz

IFBW 70 kHz

Span 100 MHz Corr !