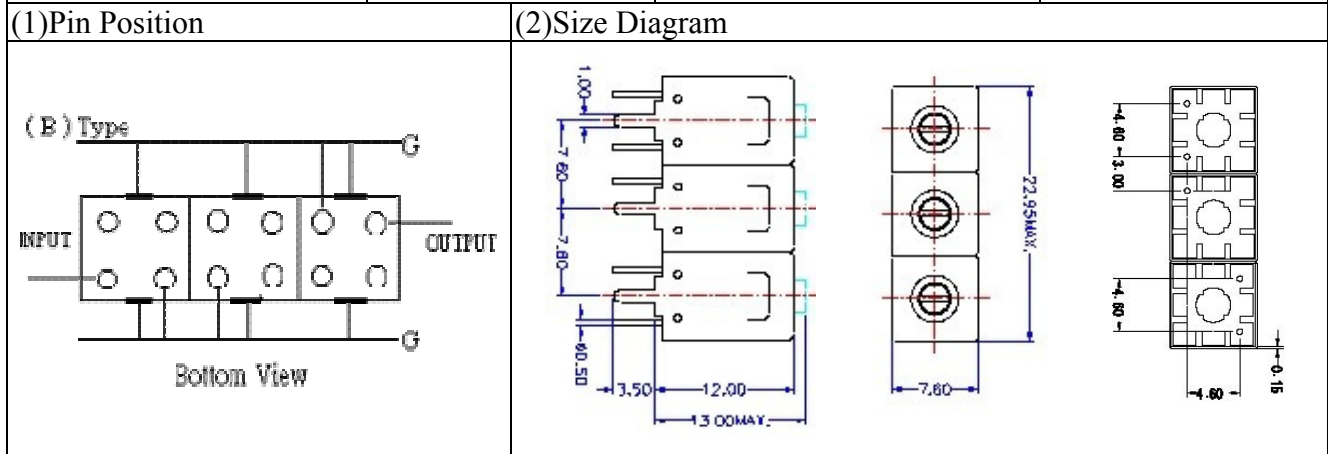


VHF UHF Helical Filter Specification Sheet

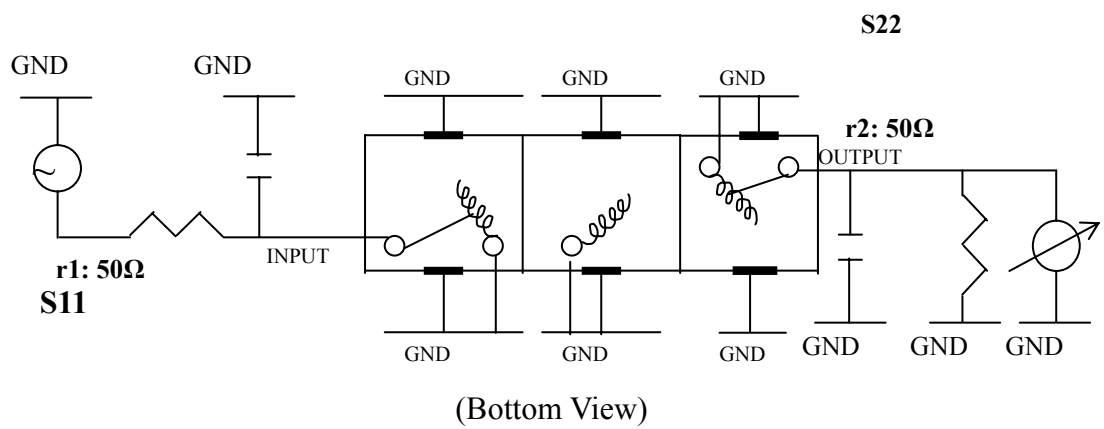
| | | | |
|----------------------|-------------|-----------------------|---------------|
| Customer Name | | Temwell's Part No. | TT67192B-90M |
| Approval No. /dated | 201211049CD | Temwell's Print name. | 67192B 90M |
| Work Instruction No. | 201211049CD | Date | Dec.07.2012 |



(3) Electric Charasteric

| Item | Specify | |
|-------------------------------|-----------------|-------------|
| Center Freq.(Fo) +/- 0.5 % | 90 | MHz |
| Insertion Loss | Typ. 3.5 | dB |
| -3 dB Bandwidth | Typ. 6 | MHz |
| Sensitivity (Attenuation) | Fo - (20) MHz | Typ. 60 dBc |
| | Fo + (20) MHz | Typ. 40 dBc |
| | Fo - () MHz | Typ. dBc |
| | Fo + () MHz | Typ. dBc |
| Return Loss | Min. 12 | dB |
| Ripple | < 1 | dB |
| Impedance | In / Out : 50 Ω | |
| (4) Torque for Tuning Screw | > 60gf • cm | |
| (5) Temperature Condition: | | |
| Operating Temperature | 0°C ~ +60°C | |
| Storage Temperature | -20°C ~ +70°C | |
| (6) Input Power | > 1Watt | |

(7) Measuring Circuit: ※Easy to match Impedance S11/S22 50Ω by parallel with about(--) / (--).



| | | | |
|-----------------------|-------------------------|---------------------|---|
| Approval C.Y.Chang | Supervisor C.K.Chang | Designer F.L.Lai | Aperture size 7H3S(4*7.5)(7.58) 7H00LB4 |
|-----------------------|-------------------------|---------------------|---|

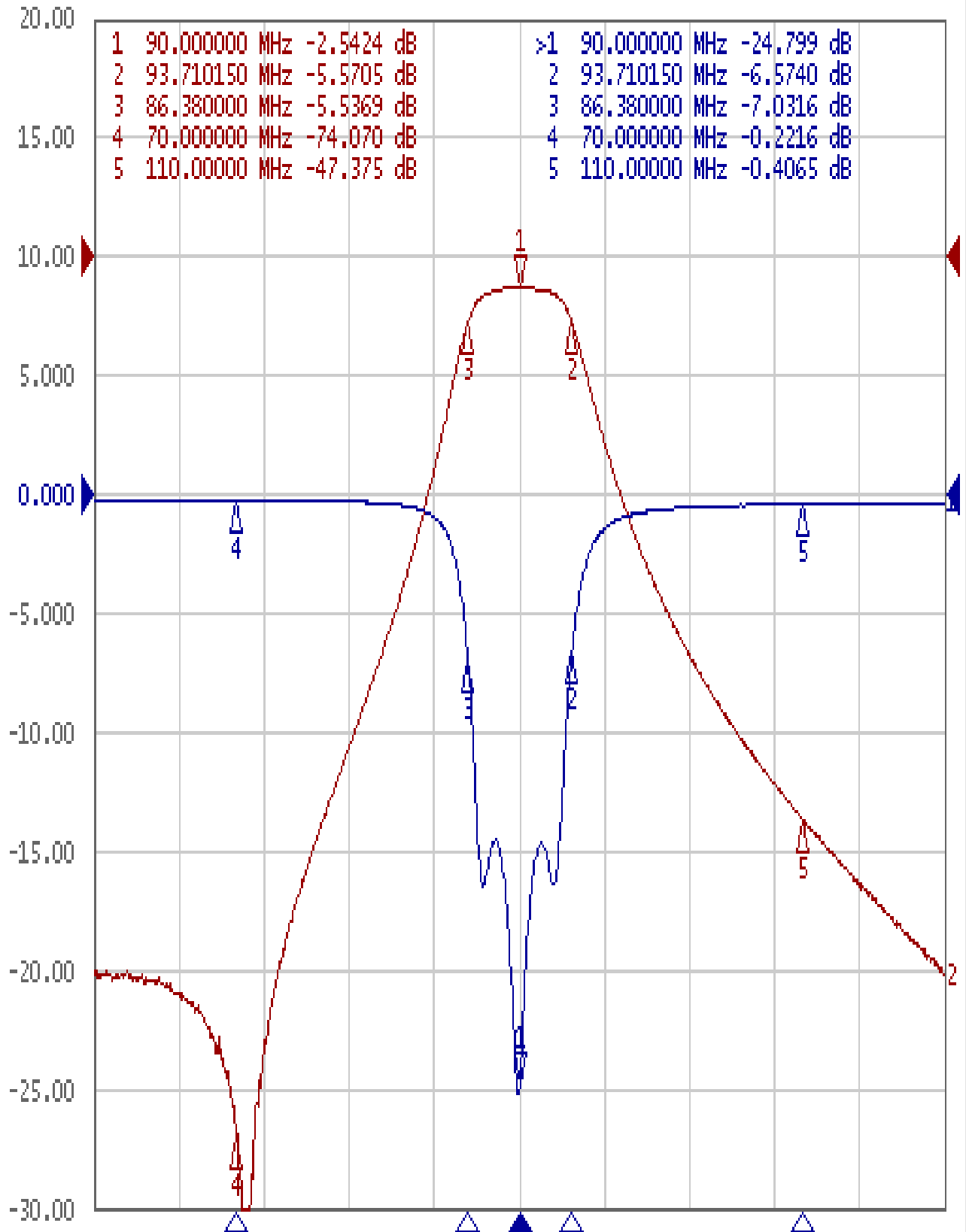
TEMWELL CORPORATION

Performance-TT67192B-90M

201211049CD

Tr1 S11 Log Mag 5.000dB/ Ref 0.000dB [F2]

Tr2 S21 Log Mag 10.00dB/ Ref 0.000dB [F2]



Center 90 MHz

IFBW 10 kHz

Span 60 MHz

Cor !