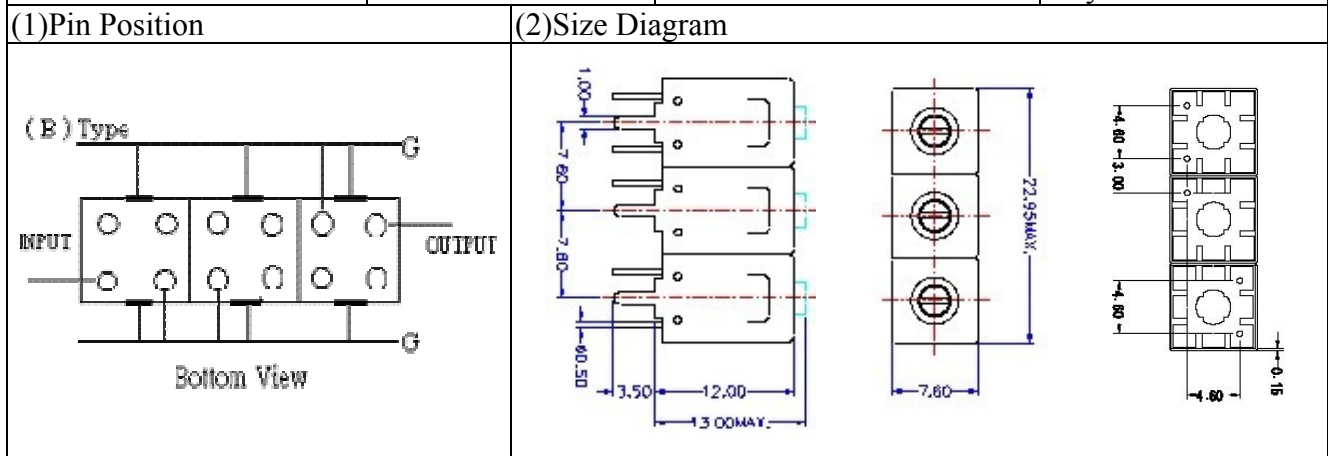


VHF UHF Helical Filter Specification Sheet

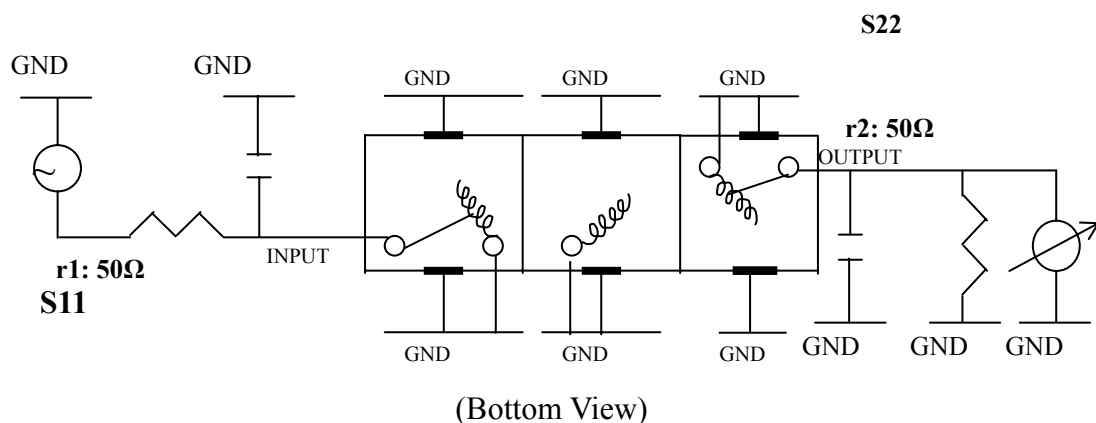
Customer Name		Temwell's Part No.	TT67188B-72M
Approval No. /dated		Temwell's Print Name.	67188B 72M
Work Instruction No.	201205071B	Date	May.24.2012



(3) Electric Charasteric

Item	Specify	
Center Freq.(Fo) +/- 0.5 %	72	MHz
Insertion Loss	Typ. 5.0	dB
-3 dB Bandwidth	Typ. 4	MHz
Sensitivity (Attenuation)	Fo - (10) MHz	Typ. 42 dBc
	Fo + (10) MHz	Typ. 33 dBc
	Fo - () MHz	Typ. dBc
	Fo + () MHz	Typ. dBc
Return Loss	Min. 12	dB
Ripple	< 1	dB
Impedance	In / Out : 50 Ω	
(4) Torque for Tuning Screw	> 100gf · cm	
(5) Temperature Condition:		
Operating Temperature	0°C ~ +60°C	
Storage Temperature	-20°C ~ +70°C	
(6) Input Power	> 1Watt	

(7) Measuring Circuit: ※Easy to match Impedance S11/S22 50Ω by parallel with about(--) / (--).



Approval C.Y.Chang	Supervisor C.K.Chang	Designer C.H.Yeh	Aperture size 7H3S(4*6.5)(6.58) 7H00LB4
-----------------------	-------------------------	---------------------	---

TEMWELL CORPORATION

Performance-TT67188B-72M

201205071B

