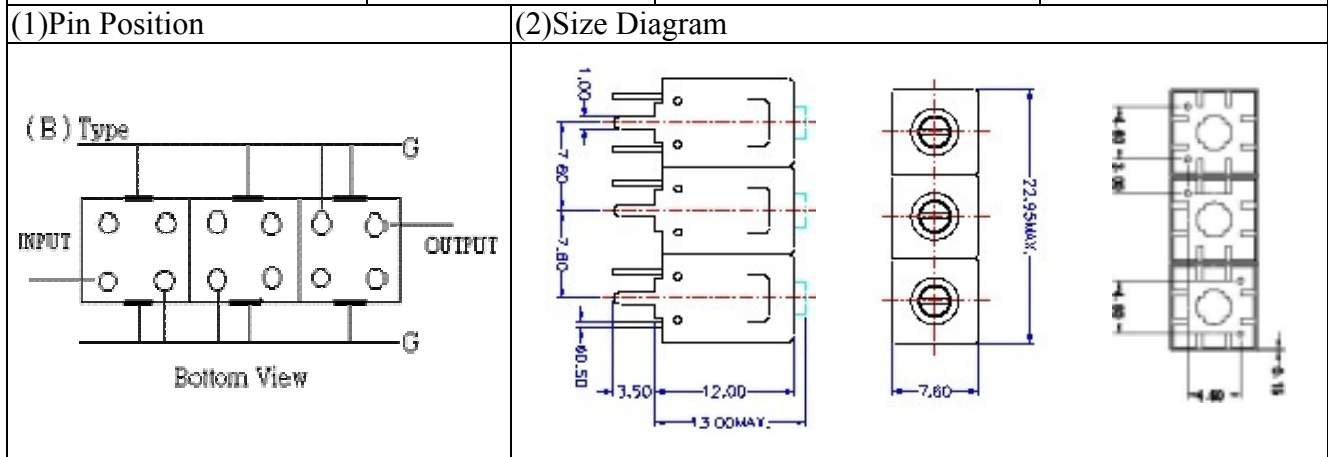


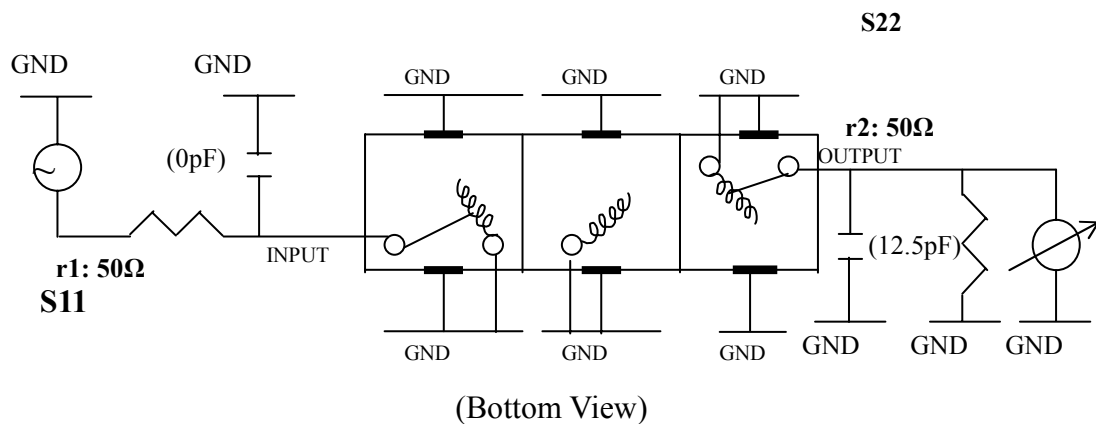
VHF UHF Helical Filter Specification Sheet

Customer Name		Temwell's Part No.	TT67188B-70M
Approval No. /dated	0710043APR	Customer's Print Name.	67188B 70M
Work Instruction No.	0710043C	Date	Dec.07.2007



(3) Electric Characteristic		Item	Specify
		Center Freq.(Fo) +/- 0.5 %	70 MHz
		Tunable Range:	70±2 MHz
		Insertion Loss	Typ. 4.5 dB
		-3 dB Bandwidth	Typ. 4 MHz
Sensitivity (Attenuation)	Fo - 10 MHz	Typ. 42	dBc
	Fo + 10 MHz	Typ. 33	dBc
	Fo - ()MHz	Typ.	dBc
	Fo +()MHz	Typ.	dBc
		Return Loss	Min. 12 dB
		Ripple	< 1 dB
		Impedance	In / Out : 50 Ω
(4) Torque for Tuning Screw			> 100gf cm
(5) Temperature Condition:			
Operating Temperature			0 ~ +60
Storage Temperature			-20 ~ +70
(6) Input Power			> 1Watt

(7) Measuring Circuit: Easy to match Impedance S11/S22 50Ω by parallel with about (0pF) / (12.5pF).



Approval	Supervisor	Designer	Aperture size
C.Y.Chang	C.S.Chang	Y.H.Yeh	7H3(4*7.5)F 7H00LB4

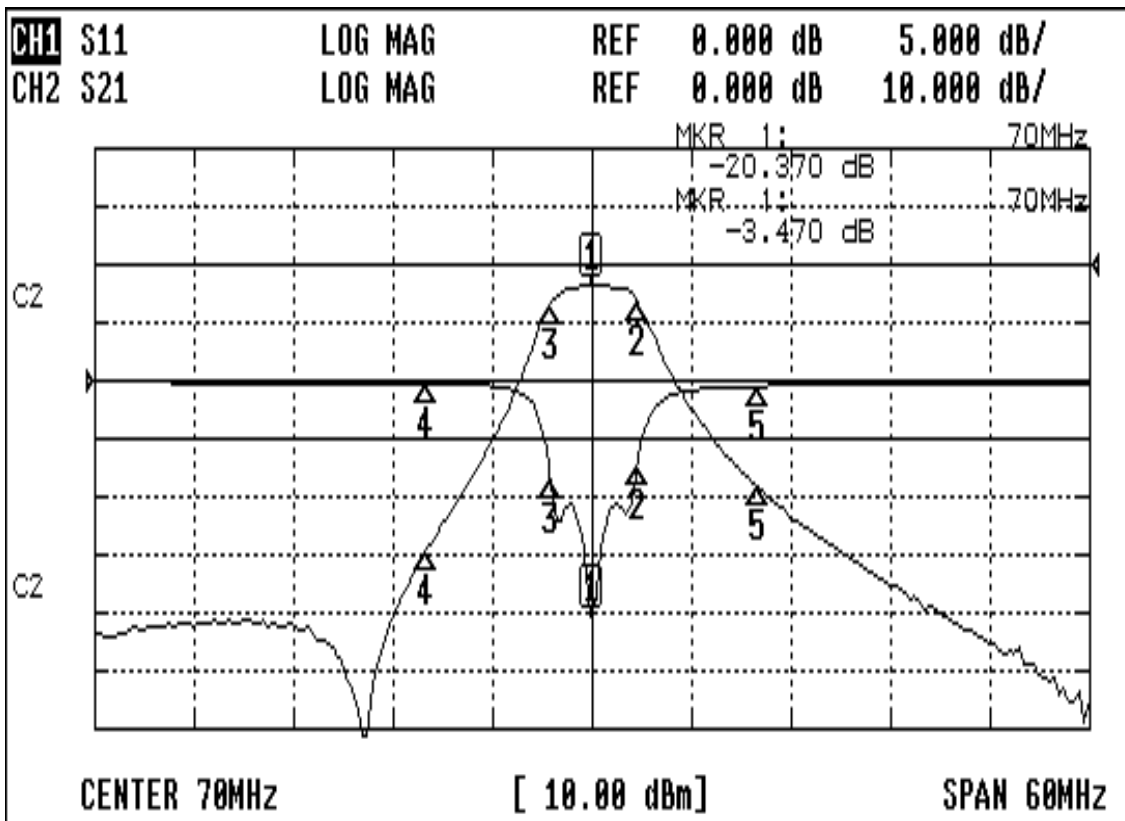
TEMWELL CORPORATION

TEMWELL

Form10-7H3B Vision D RP (Y.H.Y)

Performance-TT67188B-70M

0710043C



CH1 MARKER LIST

1:	70.000MHz	-20.370 dB
2:	72.800MHz	-7.215 dB
3:	67.550MHz	-8.467 dB
4:	60.000MHz	-0.254 dB
5:	80.000MHz	-0.461 dB

CH2 MARKER LIST

1:	70.000MHz	-3.472 dB
2:	72.800MHz	-6.410 dB
3:	67.550MHz	-6.500 dB
4:	60.000MHz	-49.742 dB
5:	80.000MHz	-38.351 dB