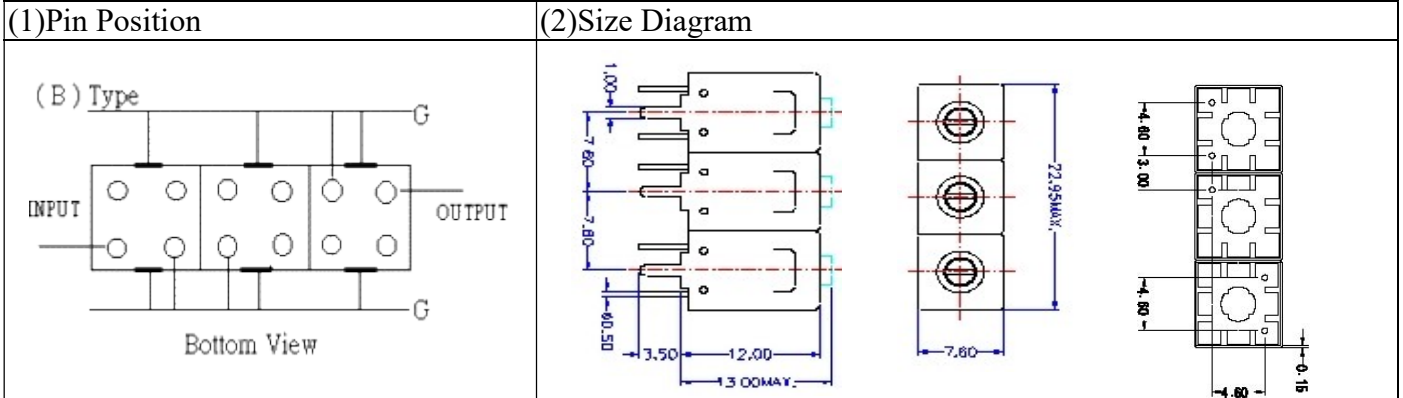


# VHF UHF Helical Filter Specification Sheet

Customer Name		Temwell's Part No.	TT6714B1-157M
Approval No. /dated		Temwell's Print name	6714B1 157M
Work Instruction No.	201512041A	Date	Jan.15.2016



(3) Electric Chararistic		Item	Specify
Center Freq.(Fo ) +/- 0.5 %			157 MHz
Insertion Loss		Typ.	4.5 dB
-3 dB Bandwidth		Typ.	4 MHz
Sensitivity (Attenuation)	Fo - 10 MHz	Typ.	32 dBc
	Fo + 10 MHz	Typ.	26 dBc
	Fo - ( )MHz	Typ.	dBc
	Fo +( )MHz	Typ.	dBc
Return Loss		Min.	12 dB
Ripple			< 1 dB
Impedance			In / Out : 50 Ω

(4) Torque for Tuning Screw > 100gf · cm

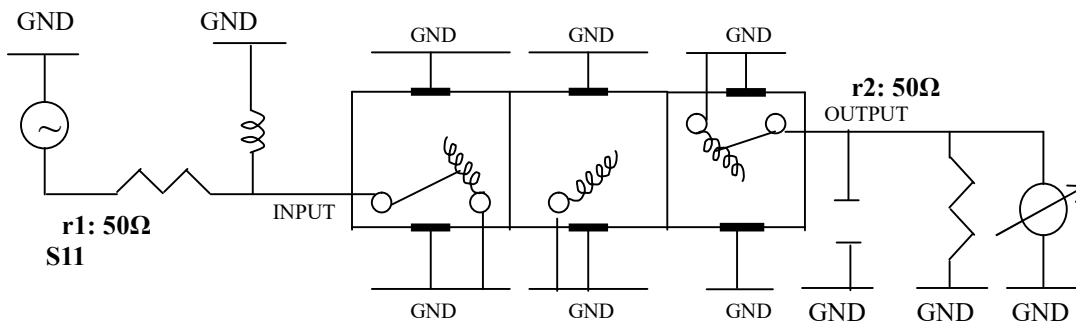
(5) Temperature Condition:

Operating Temperature 0°C ~ +60°C

Storage Temperature -20°C ~ +70°C

(6) Input Power > 1 Watt

(7) Measuring Circuit: ※Easy to match Impedance S11/S22 50Ω by parallel with about( -- ) / ( -- ).  
S22



(Bottom View)

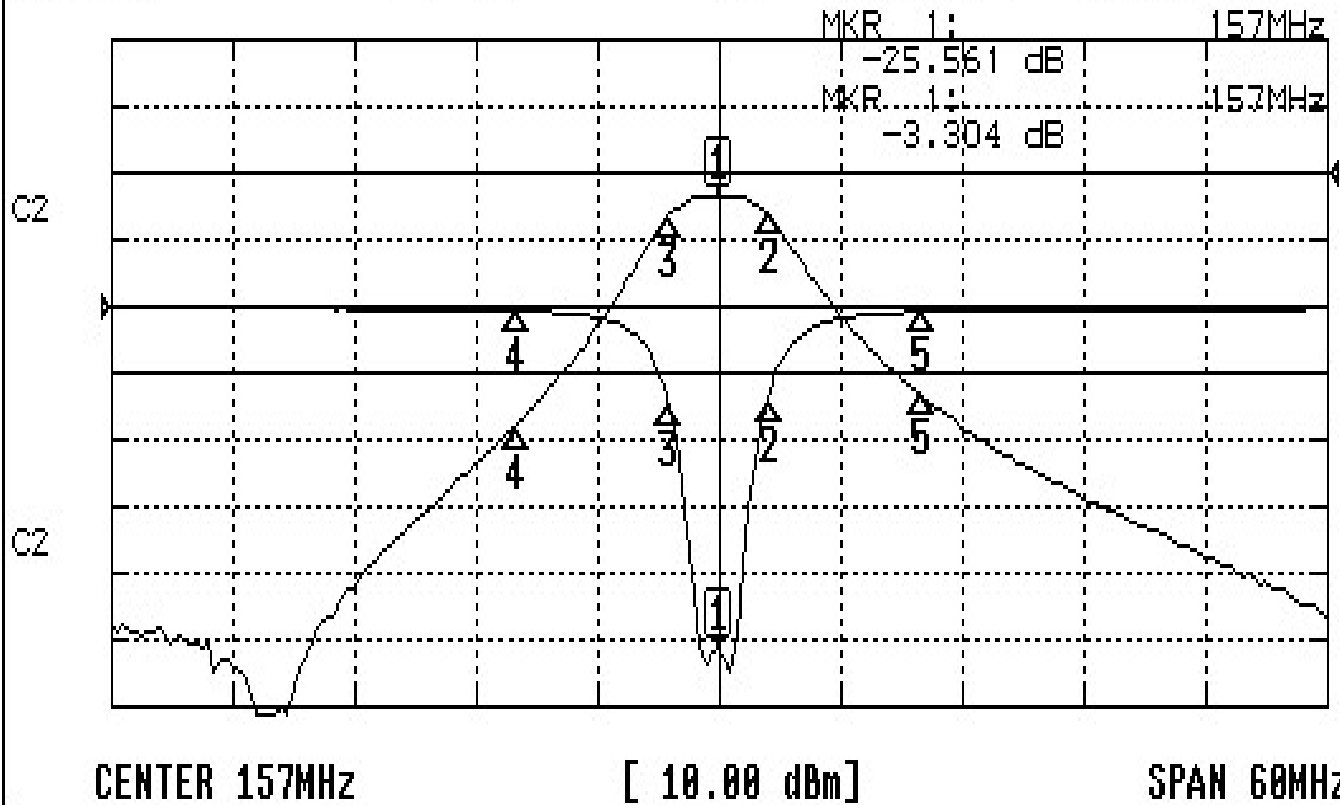
Approval	Supervisor	Designer	Aperture size
C.Y.Chang	C.K.Chang	F.L.Lai	7H3S(4*5.5)(5.56) 7H024RB4

TEMWELL CORPORATION

# Performance-TT6714B1-157M

## 201512041A

CH1 S11 LOG MAG REF 0.000 dB 5.000 dB/  
CH2 S21 LOG MAG REF 0.000 dB 10.000 dB/



### CH1 MARKER LIST

1:	157.000MHz	-25.561	dB
2:	159.450MHz	-6.832	dB
3:	154.550MHz	-7.483	dB
4:	147.000MHz	-0.323	dB
5:	167.000MHz	-0.384	dB
6:			
7:			
8:			
9:			
10:			

### CH2 MARKER LIST

1:	157.000MHz	-3.304	dB
2:	159.450MHz	-16.332	dB
3:	154.550MHz	-16.350	dB
4:	147.000MHz	-37.740	dB
5:	167.000MHz	-33.390	dB
6:			
7:			
8:			
9:			
10:			