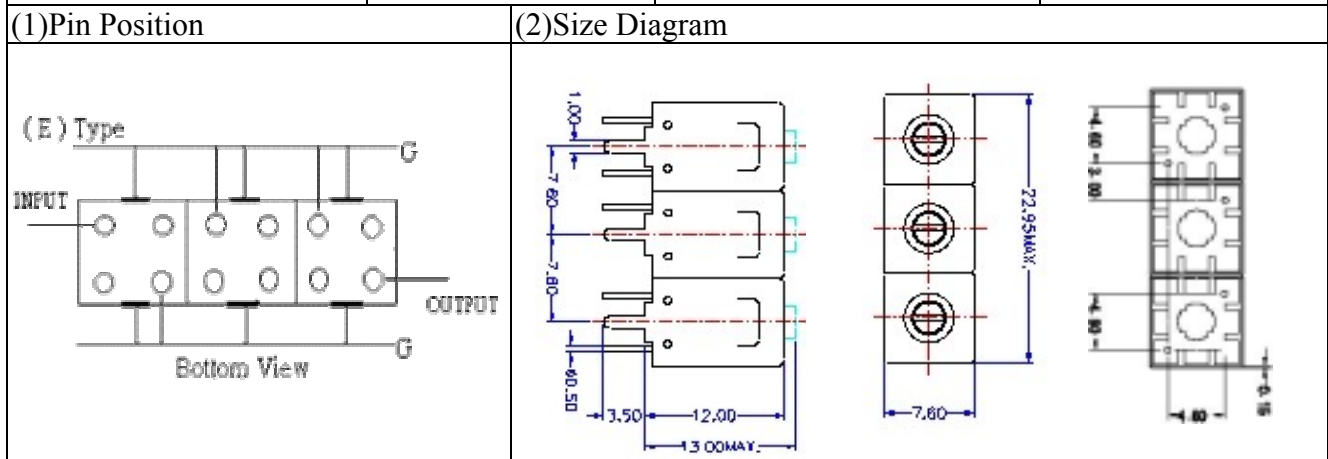
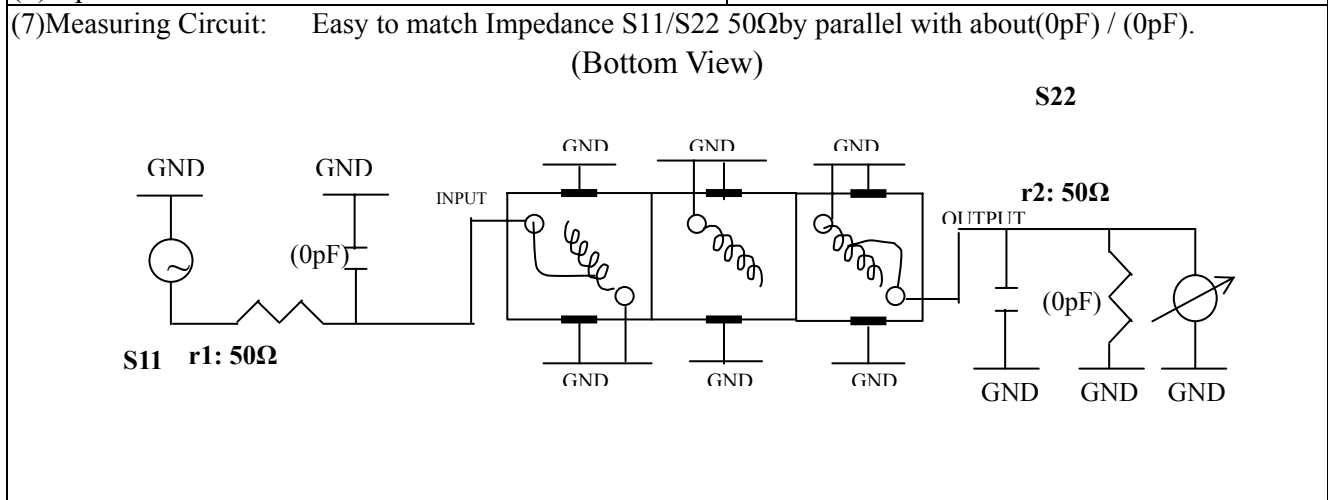


# VHF UHF Helical Filter Specification Sheet

Customer Name		Temwell's Part No.	TT6388E-98M
Approval No. /dated	0711065APR	Customer's Part No.	
Work Instruction No.	0711065B	Date	Dec.05.2007



(3) Electric Characteristic	
Item	Specify
Center Freq.(Fo ) +/- 0.5 %	98 MHz
Tunable Range:	98±2 MHz
Insertion Loss	Typ. 2.0 dB
-3 dB Bandwidth	Typ. 20 MHz
Sensitivity (Attenuation )	Fo - 30 MHz    Typ. 34 dBc
	Fo + 30 MHz    Typ. 27 dBc
	Fo - ( )MHz    Typ. dBc
	Fo +( )MHz    Typ. dBc
Return Loss	Min. 12 dB
Ripple	< 1 dB
Impedance	In / Out : 50 Ω
(4) Torque for Tuning Screw	
> 100gf cm	
(5) Temperature Condition:	
Operating Temperature	0 ~ +60
Storage Temperature	-20 ~ +70
(6) Input Power	
> 1Watt	



Approval	Supervisor	Designer	Aperture size
C.Y.Chang	C.S.Chang	C.S.Chang	7H3(4*7.5)F 7H024RB6.5

TEMWELL CORPORATION

# Performance-TT6388E-98M

## 0711065B

