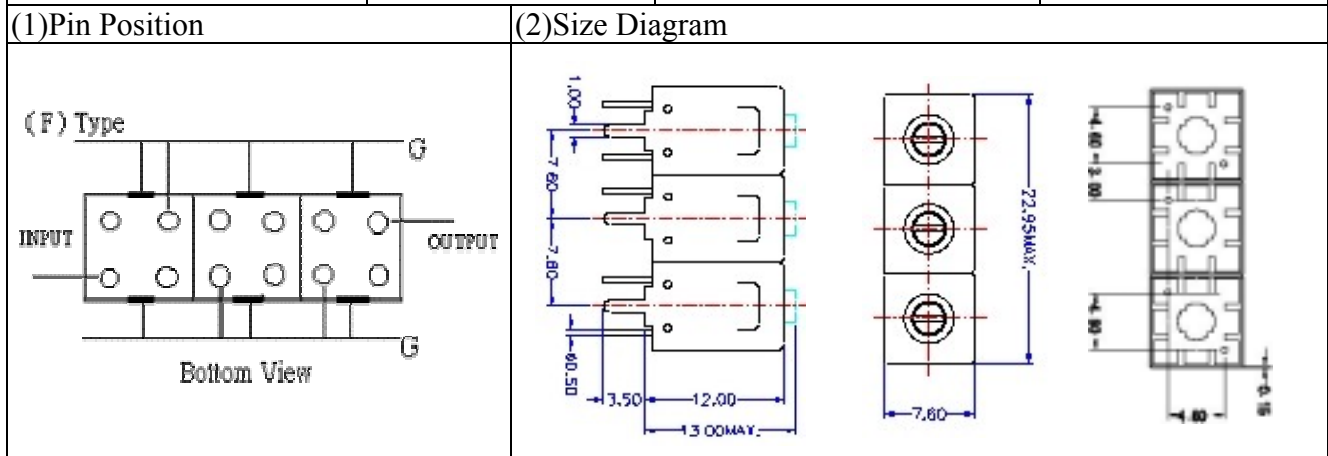


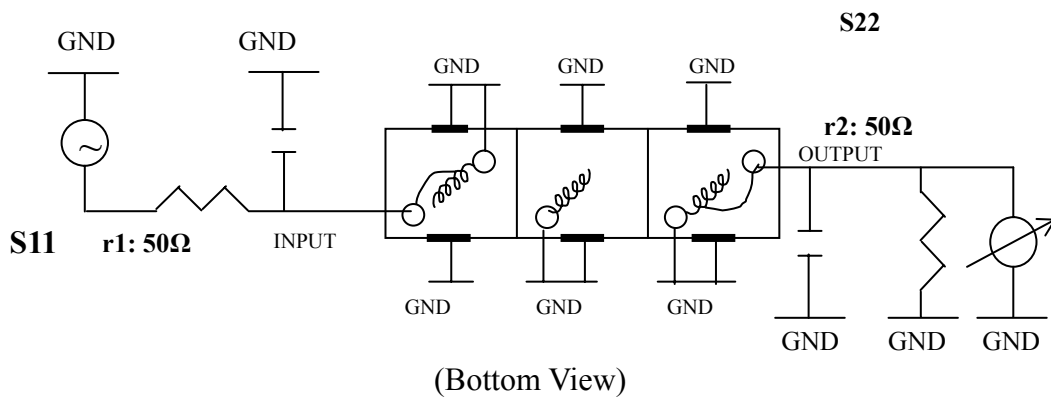
# VHF UHF Helical Filter Specification Sheet

|                      |            |                      |                |
|----------------------|------------|----------------------|----------------|
| Customer Name        |            | Temwell's Part No.   | TT63337F-725M  |
| Approval No. /dated  | 201004086C | Temwell's print name | 63337F<br>725M |
| Work Instruction No. | 201004086C | Date                 | Dec.21.2010    |



| (3) Electric Charasteric      |                          |
|-------------------------------|--------------------------|
| Item                          | Specify                  |
| Center Freq.(Fo ) +/- 0.5 %   | 725 MHz                  |
| Insertion Loss                | Typ. 1.5 dB              |
| -3 dB Bandwidth               | Typ. 120 MHz             |
| Sensitivity<br>(Attenuation ) | Fo - 150 MHz Typ. 25 dBc |
|                               | Fo + 150 MHz Typ. 21 dBc |
|                               | Fo - ( )MHz Typ. dBc     |
|                               | Fo +( )MHz Typ. dBc      |
| Return Loss                   | Min. 12 dB               |
| Ripple                        | < 1 dB                   |
| Impedance                     | In / Out : 50 Ω          |
| (4) Torque for Tuning Screw   | > 60gf cm                |
| (5) Temperature Condition:    |                          |
| Operating Temperature         | 0 ~ +60                  |
| Storage Temperature           | -20 ~ +70                |
| (6) Input Power               | > 1Watt                  |

(7) Measuring Circuit: Easy to match Impedance S11/S22 50Ω by parallel with about( -- ) / ( -- ).



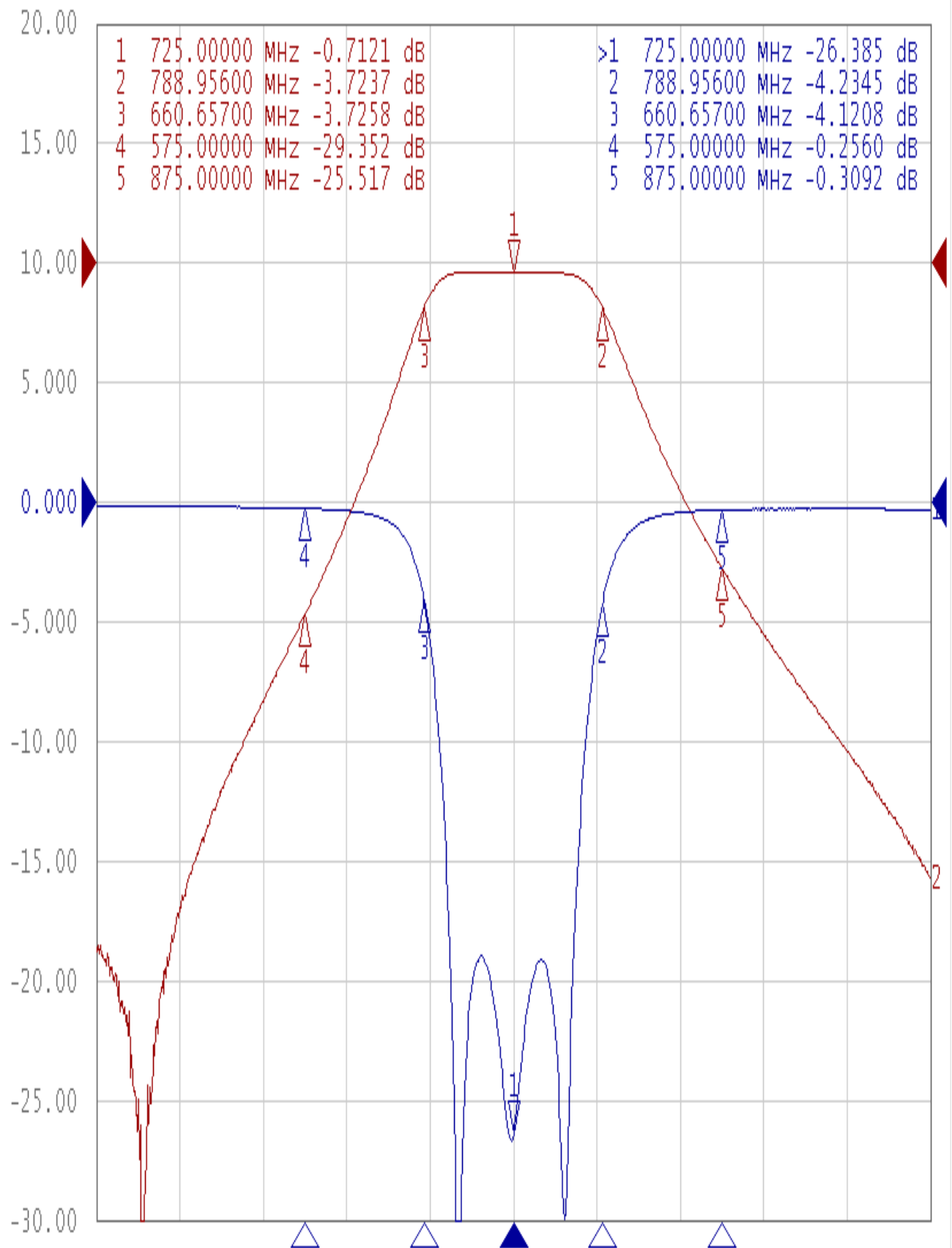
|                       |                         |                       |  |
|-----------------------|-------------------------|-----------------------|--|
| Approval<br>C.Y.Chang | Supervisor<br>C.K.Chang | Designer<br>C.S.Chang | Aperture size<br>7H3S(4*7.5)(7.56)<br>7H046RB6.5 |
| TEMWELL CORPORATION   |                         |                       |  |

# Performance-TT63337F-725M

201004086C

Tr1 S11 Log Mag 5.000dB/ Ref 0.000dB [F2]

Tr2 S21 Log Mag 10.00dB/ Ref 0.000dB [F2]



1 Center 725 MHz

IFBW 10 kHz

Span 600 MHz Cor