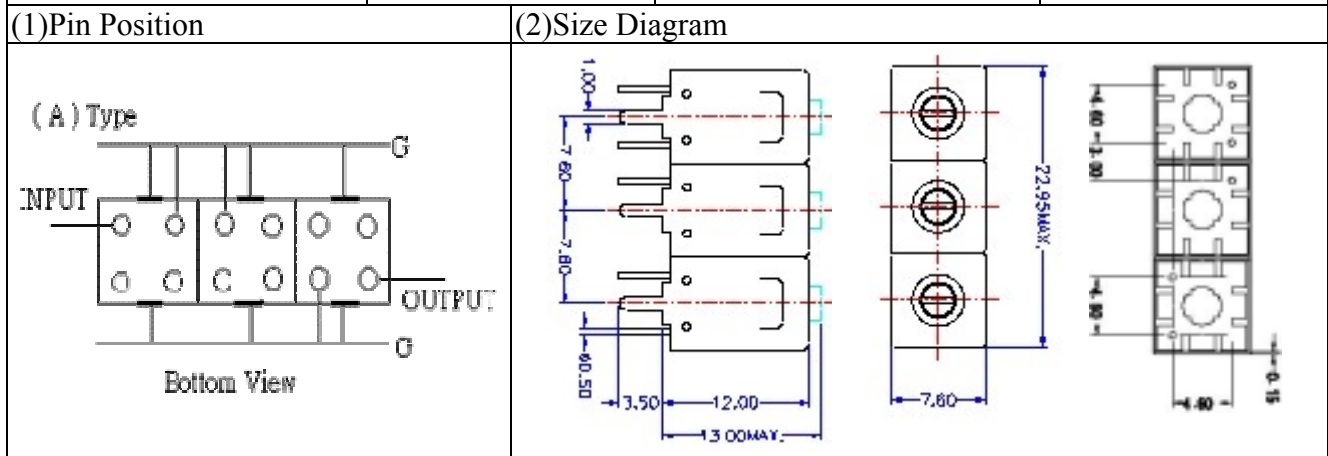


VHF UHF Helical Filter Specification Sheet

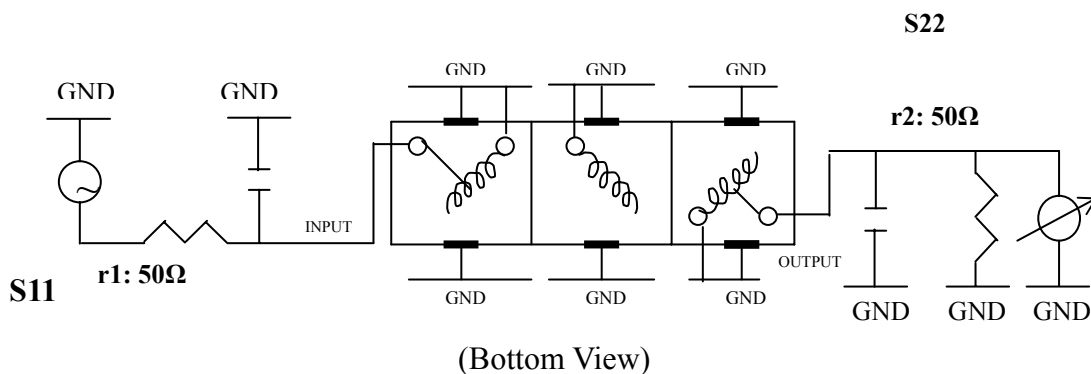
Customer Name		Temwell's Part No.	TT63243A-152M
Approval No. /dated		Temwell's Part name	63243A 152M
Work Instruction No.	201203070BD	Date	Mar.27.2012



(3) Electric Charasteric

Item	Specify	
Center Freq.(Fo) +/- 0.75 %	152	MHz
Insertion Loss	Typ. 3.0	dB
-3 dB Bandwidth	Typ. 10	MHz
Sensitivity (Attenuation)	Fo - 20 MHz	Typ. 45 dBc
	Fo + 20 MHz	Typ. 30 dBc
	Fo - ()MHz	Typ. dBc
	Fo +()MHz	Typ. dBc
Return Loss	Min. 12	dB
Ripple	< 1	dB
Impedance	In / Out : 50 Ω	
(4) Torque for Tuning Screw	> 100gf cm	
(5) Temperature Condition:		
Operating Temperature	-30 ~ +70	
Storage Temperature	-30 ~ +80	
(6) Input Power	> 1Watt	

(7) Measuring Circuit: Easy to match Impedance S11/S22 50Ω by parallel with about(0) .

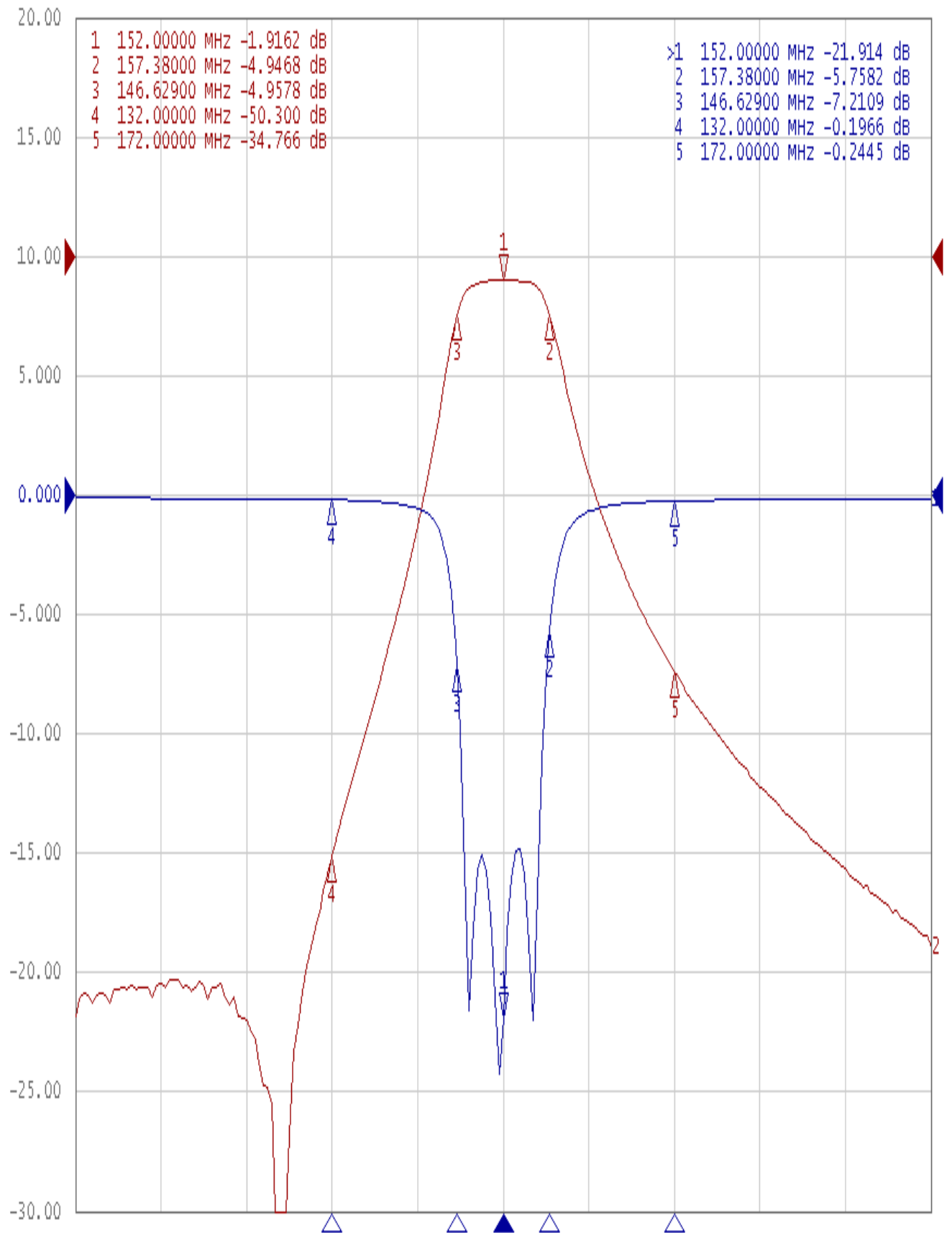


Approval C.Y.Chang	Supervisor C.K.Chang	Designer P.H.Chiang	Aperture size 7H3(4*7.5)(7.58) 7H024LB4
TEMWELL CORPORATION			

Performance-TT63243A-152M

201203070BD

Tr1 S11 Log Mag 5.000dB/ Ref 0.000dB [F2]
Tr2 S21 Log Mag 10.00dB/ Ref 0.000dB [F2]



1 Center 152 MHz

IFBW 70 kHz

Span 100 MHz Cor !