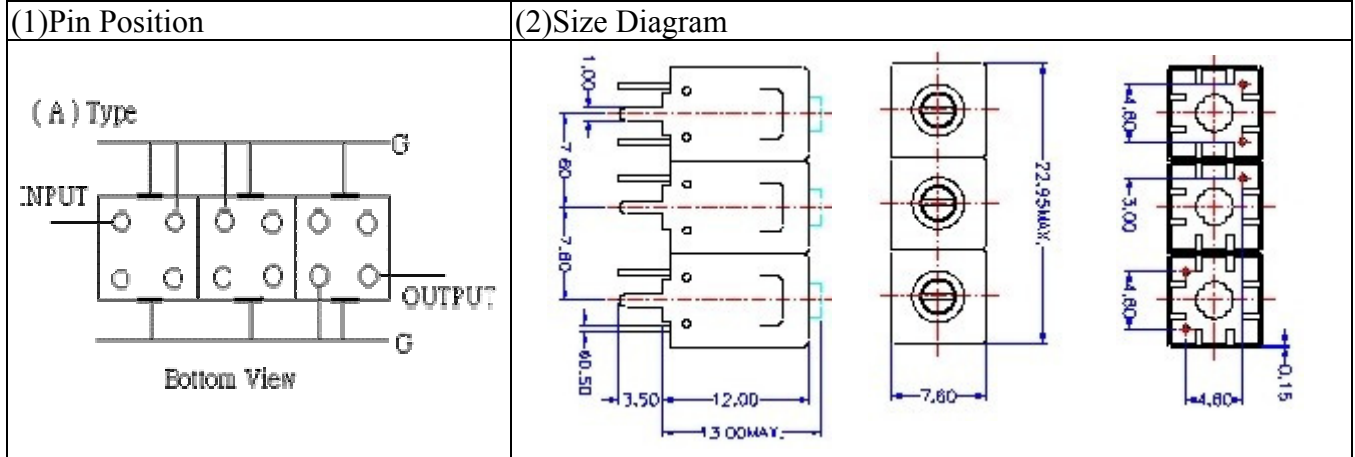


# VHF UHF Helical Filter Specification Sheet

Customer Name		Temwell's Part No.	TT63206A-160M
Approval No. /dated		Temwell's print name	63206A 160M
Work Instruction No.	201205069B	Date	May.24.2012



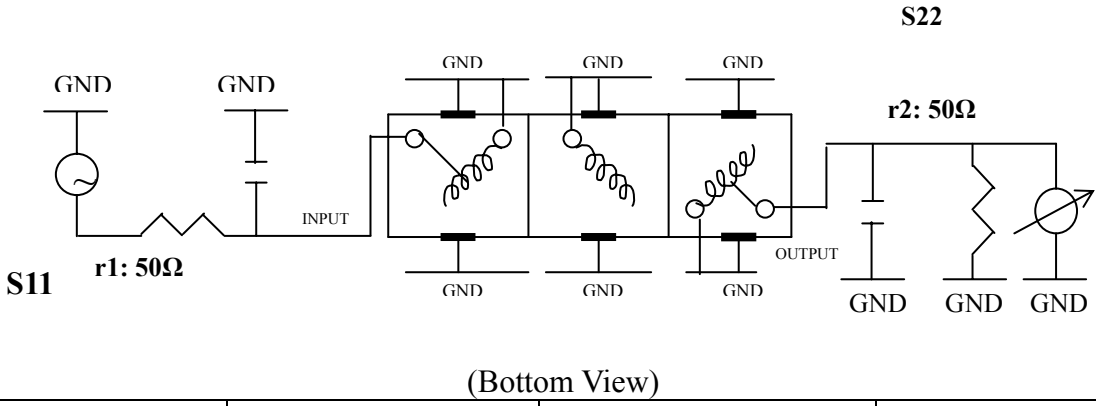
(3) Electric Characteristic		Item	Specify
Center Freq.(Fo) +/- 0.5 %			160 MHz
Insertion Loss		Typ.	2.0 dB
-3 dB Bandwidth		Typ.	40 MHz
Sensitivity (Attenuation)	Fo - 100 MHz	Typ.	42 dBc
	Fo + 100 MHz	Typ.	39 dBc
	Fo - ( )MHz	Typ.	dBc
	Fo +( )MHz	Typ.	dBc
Return Loss		Min.	12 dB
Ripple			< 1 dB
Impedance			In / Out : 50 Ω

(4) Torque for Tuning Screw > 60gf · cm

(5) Temperature Condition:  
 Operating Temperature 0°C ~ +60°C  
 Storage Temperature -20°C ~ +70°C

(6) Input Power > 1Watt

(7) Measuring Circuit: ※Easy to match Impedance S11/S22 50Ω by parallel with about(- -).



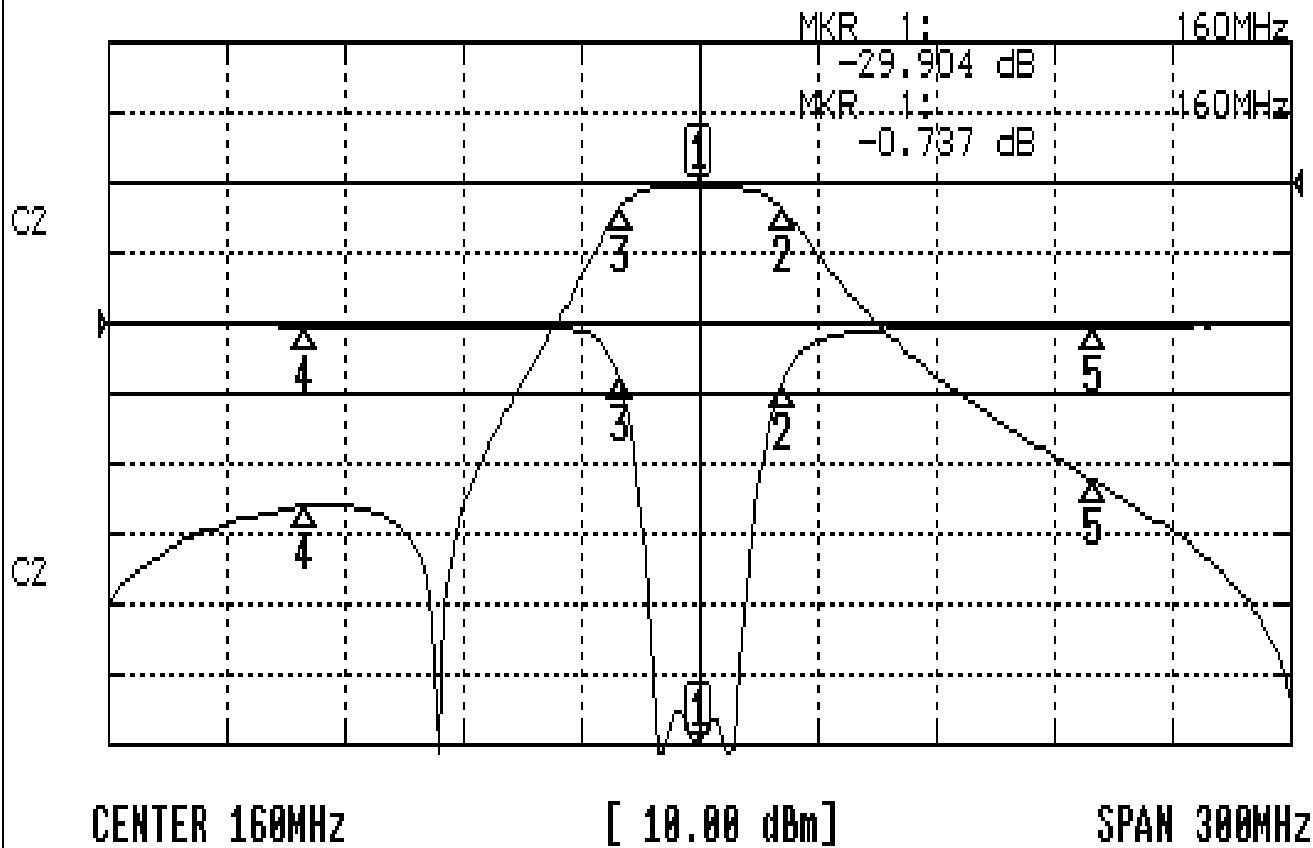
Approval	Supervisor	Designer	Aperture size
C.Y.Chang	C.K.Chang	P.H.Chiang	7H3S(4*8.0)(8.01) 7H024LB6.5

TEMWELL CORPORATION

# Performance-TT63206A-160M

## 201205069B

CH1 S11 LOG MAG REF 0.000 dB 5.000 dB/  
CH2 S21 LOG MAG REF 0.000 dB 10.000 dB/



### CH1 MARKER LIST

1:	160.000MHz	-29.904 dB
2:	181.250MHz	-4.213 dB
3:	139.750MHz	-3.982 dB
4:	60.000MHz	-0.159 dB
5:	260.000MHz	-0.189 dB

### CH2 MARKER LIST

1:	160.000MHz	-0.738 dB
2:	181.250MHz	-3.814 dB
3:	139.750MHz	-3.795 dB
4:	60.000MHz	-46.050 dB
5:	260.000MHz	-42.373 dB