
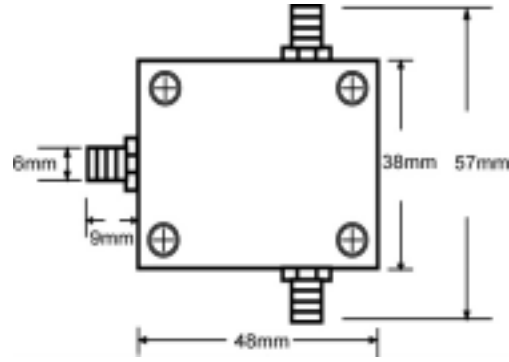


VHF.UHF Antenna (Same) Band Pass Splitter Specification Sheet

Customer Name		Temwell's Part No.	TPD102S-TT63218B1-128 M-30M-SMA
Approval No. /dated		Acceptable Specify Fo Range	126~148M
Work Instruction No.	0708066CD	Date	Aug. 08, 2008

<p>(1)Dimension</p> 	<p>(2)Size Diagram</p> 
---	---

(3)Electric Character			
Item		Specify	
Center Freq.(Fo) +/- 0.75 %		128	MHz
-3 dB Bandwidth		>30	MHz
Insertion Loss S21 (Power Splitter Loss -3 dB)		Typ. 1.0	dB
Insertion Loss S31 (Power Splitter Loss -3 dB)		Typ. 1.0	dB
IL diffent from output 1 & 2		Typ. 0.5	dB
Sensitivity (Attenuation)	Fo - ()MHz below	Typ.	dBc
	Fo +()MHz above	Typ.	dBc
Return Loss output 1 (S11)		Min. >12	dB
Return Loss output 2 (S22)		Min. >12	dB
Return Loss output 3 (S33)		Min. >12	dB
Isolation S23		Typ. 30	dB
Connector type		SMA	
(4)Impedance all port		In / Out : 50 Ω	
(5)Input Power		> 30 Watts	
(6)Temperature Condition:			
Operating Temperature		-30	~ +70
Storage Temperature		-30	~ +80
Approval	Supervisor	Designer	Aperture size
C.Y.Chang	C.S.Chang	C.S.Chang	
TEMWELL CORPORATION			

TEMWELL

Band pass power splitter- Vision A

RP J.F.Lin

Performance-TPD102S-TT63218B1-128M-30M-SMA

0708066CD

