



Customized UHF SHF Filter & Miniature Duplexer

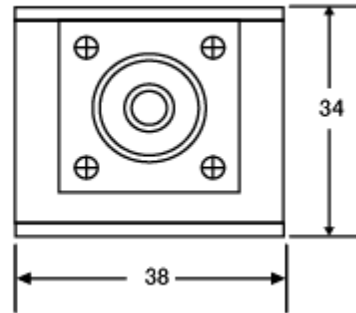
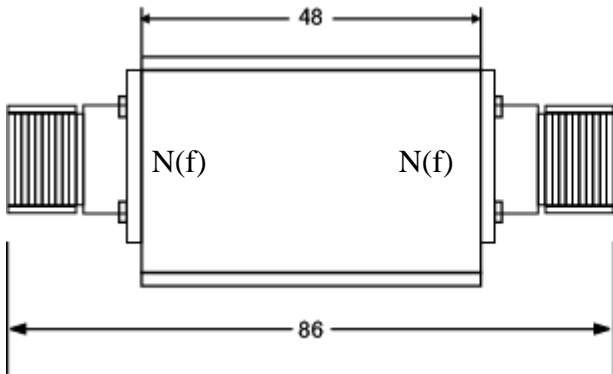
TM Module Filter Specification Sheet

Issued Dated :

Customer Name		Temwell's Part No.	TM-TTW3529E-1842.5M-65MN
Approval No. /dated	20409039	Customer's Part No.	
Work Instruction No.	20409039DB	Date	Dec.26.2005
Terminator Type	N(f)/N(f)	<input type="checkbox"/> Temwell,s print name	
Case Name	TM	Case size : (mm)	48*38*34

N Type

Unit:mm



(3) Electric Character

Item	Specify	Performance
Center Freq. (Fo) +/- 0.5 %	1842.5 Hz	1842.5 MHz
Insertion Loss	Typ. 3.5 dB	2.78 dB
-3 dB Bandwidth	Typ. 65 MHz	75 MHz
Sensitivity (Attenuation)	Fo -(200) MHz	Typ. 50 dB
	Fo +(200) MHz	Typ. 30 dB
	Fo -()MHz	Typ. dB
	Fo +()MHz	Typ. dB
Return Loss	Min. 12 dB	22.6 dB
Ripple	< 1 dB	dB
Group Delay		ns
Impedance	In / Out : 50 Ω	In / Out : 50 Ω

4. Temperature Condition:

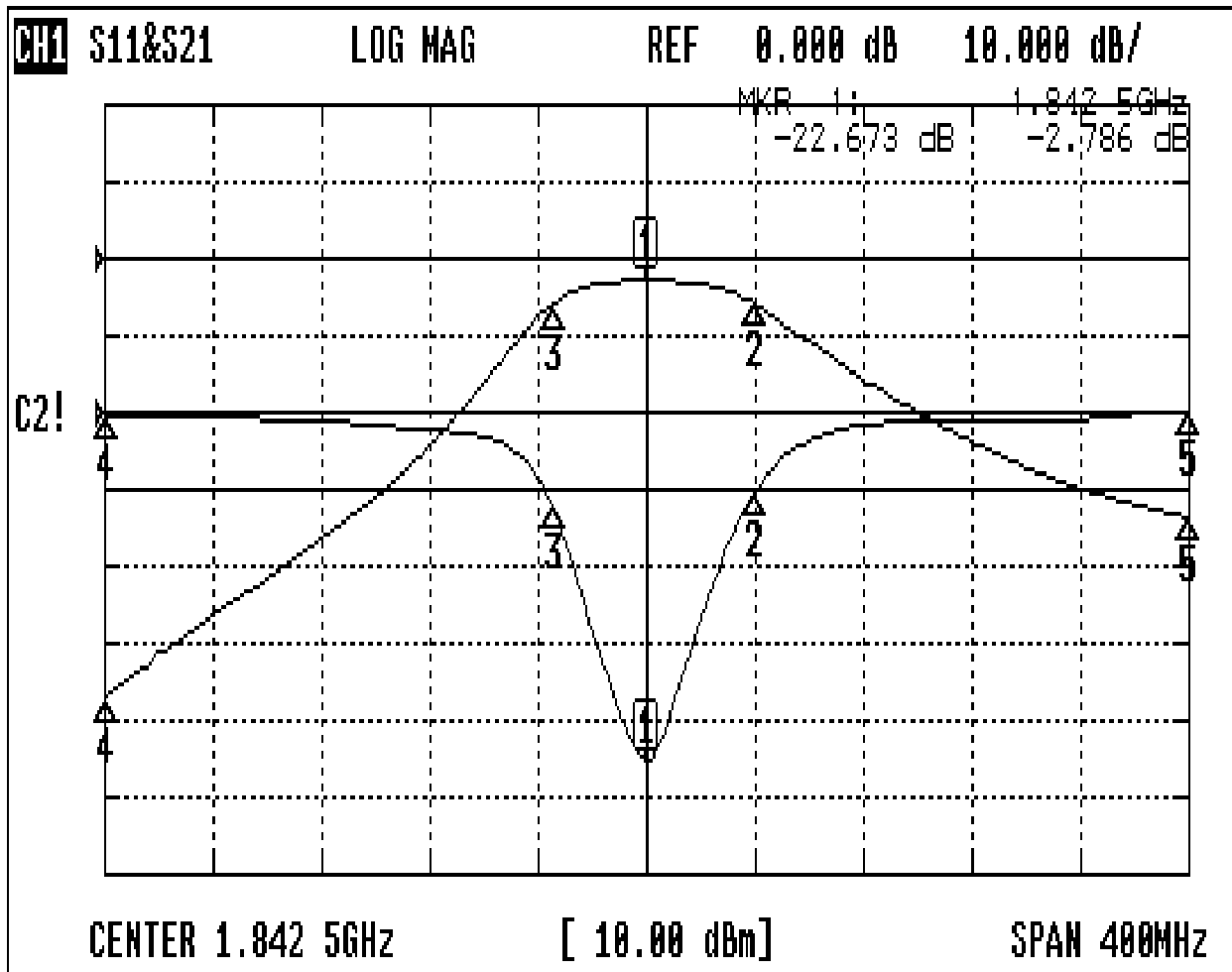
Operating Temperature	-30 ~ +70
Storage Temperature	-30 ~ +80

Approval	Supervisor	Designer	Aperture size
C.Y. Chang	C.S. Chang	J.F. Lin	7H3A(41*12)

TEMWELL CORPORATION

Performance-TM-TTW3529E-1842.5M-65MN

20409039DB



CH1 MARKER LIST

1:	1.842 500GHz	-22.673 dB	-2.786 dB
2:	1.882 833GHz	-5.874 dB	-5.887 dB
3:	1.807 833GHz	-6.853 dB	-5.839 dB
4:	1.642 500GHz	-8.389 dB	-56.989 dB
5:	2.042 500GHz	-8.114 dB	-33.637 dB
6:			
7:			
8:			
9:			
10:			