



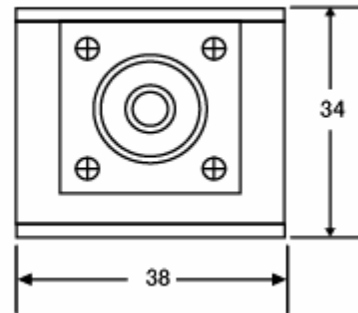
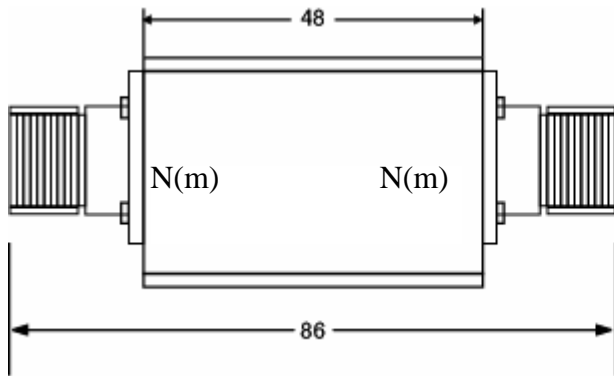
Customized UHF SHF Filter & Miniature Duplexer

# TM Module Filter Specification Sheet

Customer Name		Temwell's Part No.	TM-TT67551F-947.5M-2 5MN
Approval No. /dated	20412008APR	Customer's Part No.	
Work Instruction No.	20412008C	Date	Dec.20.2005
Case Name	TM	<input type="checkbox"/> Temwell's print name	
Terminator Type	N (m)/N(m)	Case size: (mm)	48*38*34

N Type

Unit:mm



### (3) Electric Character

Item	Specify	Performance
Center Freq. (Fo) +/- 0.5 %	947.5 MHz	947.5 MHz
Insertion Loss	Typ. 2.5 dB	1.62 dB
-3 dB Bandwidth	Typ. 25 MHz	28.1 MHz
Sensitivity (Attenuation)	Fo -(100) MHz	Typ. 50 dB
	Fo + (100 ) MHz	Typ. 36 dB
	Fo - ( )MHz	Typ. dB
	Fo +( )MHz	Typ. dB
Return Loss	Min. 12 dB	19.1 dB
Ripple	< 1 dB	dB
Group Delay	ns	ns
Impedance	In / Out : 50 Ω	In / Out : 50 Ω

### 4. Temperature Condition:

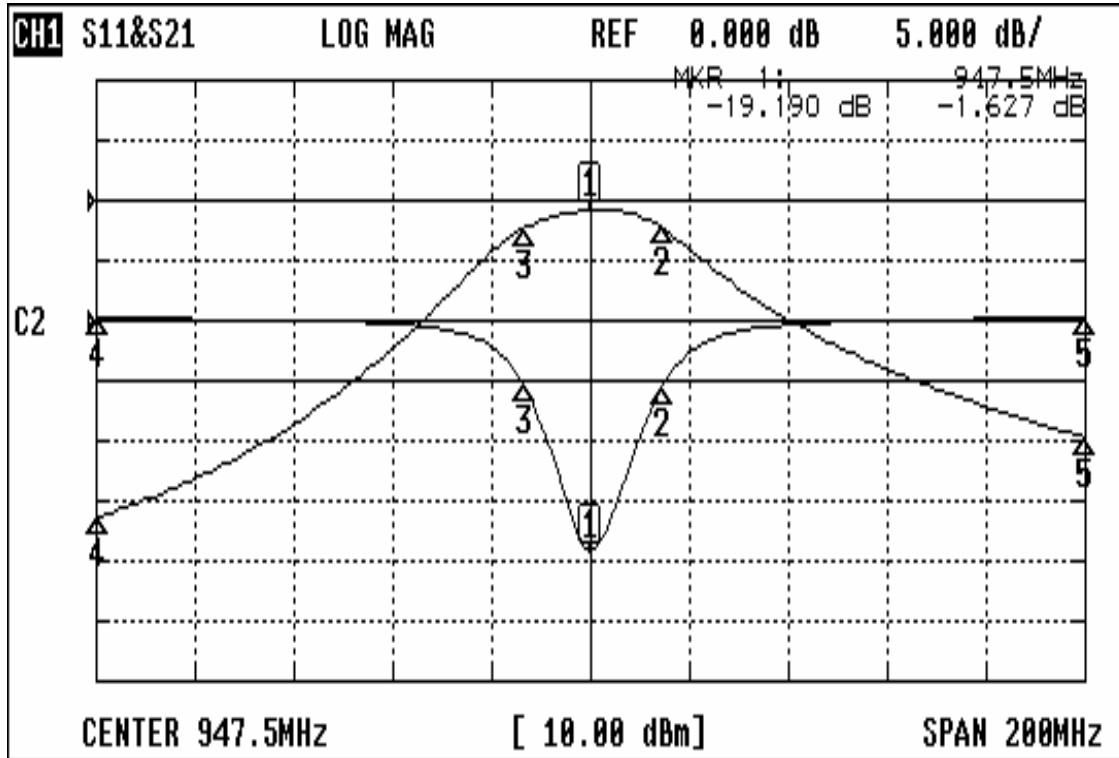
Operating Temperature	-30 ~ +70
Storage Temperature	-30 ~ +80

Approval	Supervisor	Designer	Aperture size
C.Y. Chang	C.S. Chang	C.S. Chang	7H3B PCB

TEMWELL CORPORATION

# Performance-TM-TT67551F-947.5M-25MN

## 20412008C



### CH1 MARKER LIST

1:	947.500MHz	-19.190 dB	-1.627 dB
2:	962.166MHz	-5.473 dB	-4.684 dB
3:	934.000MHz	-5.291 dB	-4.633 dB
4:	847.500MHz	0.188 dB	-52.613 dB
5:	1.047 500GHz	0.206 dB	-39.370 dB
6:			
7:			
8:			
9:			
10:			