

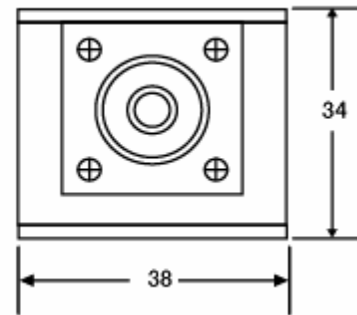
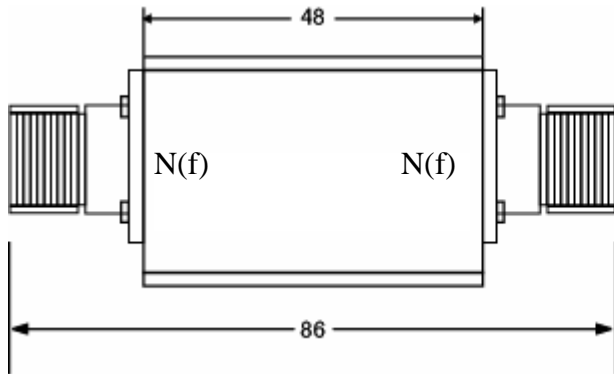
# TM Module Filter Specification Sheet

Issued Dated:

Customer Name		Temwell's Part No.	TM-TT67528B-435M-60 MN
Approval No. /dated	20409016	Customer's Part No.	
Work Instruction No.	20409016DC	Date	Dec.26.2005
<input type="checkbox"/> Buyer Print name		<input type="checkbox"/> Temwell,s print name	
Case Name	TM	Case size: (mm)	48*38*34
Terminator Type	N(f)/N(f)		

N Type

Unit:mm



### (3) Electric Character

Item	Specify	Performance
Center Freq.(Fo ) +/- 0.5 %	435 MHz	435 MHz
Insertion Loss	Typ. 2.0 dB	0.80 dB
-3 dB Bandwidth	Typ. 60 MHz	67.5 MHz
Sensitivity (Attenuation)	Fo -(100) MHz	Typ. 31 dB
	Fo +(100) MHz	Typ. 21 dB
	Fo - ( )MHz	Typ. dB
	Fo +( )MHz	Typ. dB
Return Loss	Min. 12 dB	13.6 dB
Ripple	< 1 dB	dB
Group Delay		ns
Impedance	In / Out : 50 Ω	In / Out : 50 Ω

### 4. Temperature Condition:

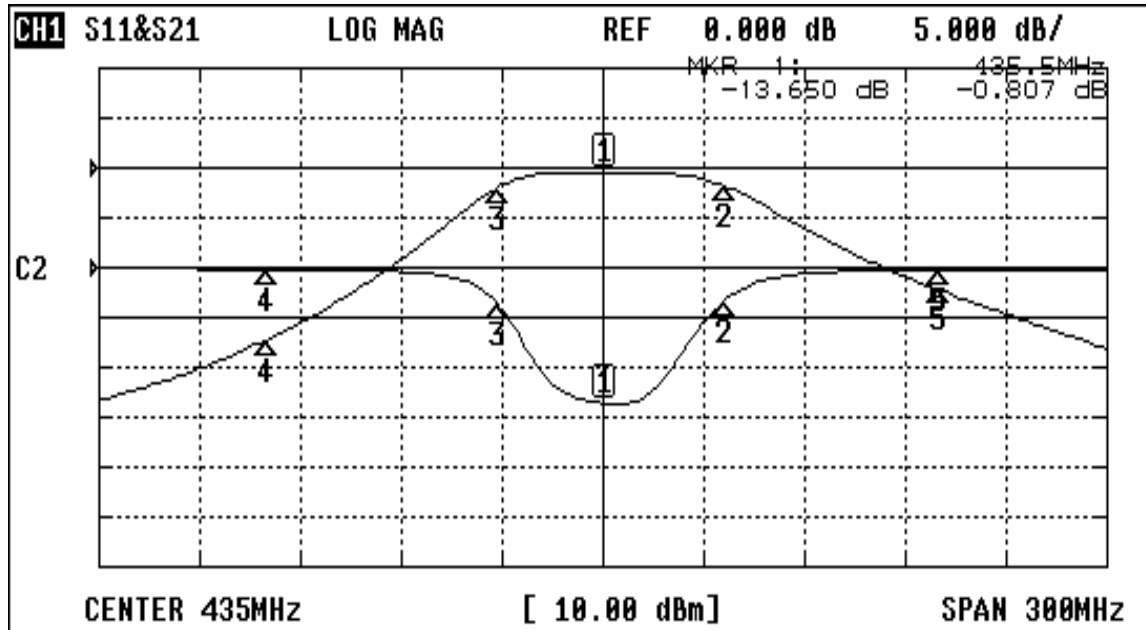
Operating Temperature	-30 ~ +70
Storage Temperature	-30 ~ +80

Approval	Supervisor	Designer	Aperture size
C.Y. Chang	C.S. Chang	C.S. Chang	7H3B(41*12)

TEMWELL CORPORATION

# Performance-TM-TT67528B-435M-60MN

## 20409016DC



### CH1 MARKER LIST

1:	435.500MHz	-13.650 dB	-0.807 dB
2:	471.500MHz	-3.300 dB	-3.760 dB
3:	404.000MHz	-3.746 dB	-3.767 dB
4:	335.000MHz	-0.180 dB	-34.377 dB
5:	535.000MHz	-0.252 dB	-24.457 dB
6:			
7:			
8:			
9:			
10:			