



Customized UHF SHF Filter & Miniature Duplexer

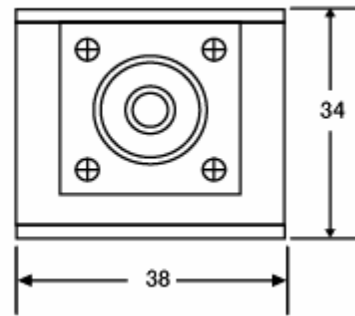
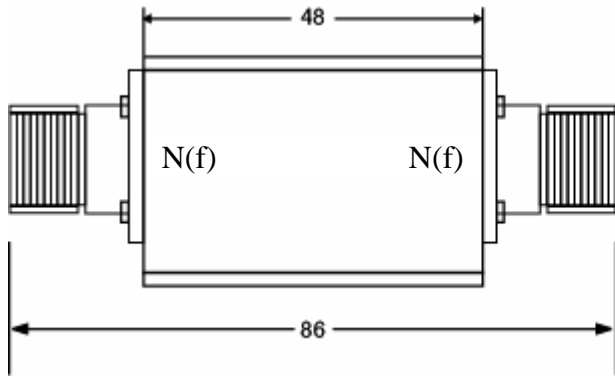
TM Module Filter Specification Sheet

Issued Dated :

Customer Name		Temwell's Part No.	TM-TT67373B-150M-30 MN
Approval No. /dated	20409005APR	Customer's Part No.	
Work Instruction No.	20409005DC	Date	Dec.26.2005
<input type="checkbox"/> Buyer Print name		<input type="checkbox"/> Temwell,s print name	
Case Name	TM	Case size : (mm)	48*38*34
Terminator Type	N(f)/N(f)		

N Type

Unit:mm



(3) Electric Character

Item	Specify	Performance
Center Freq.(Fo) +/- 0.5 %	150 MHz	150 MHz
Insertion Loss	Typ. 2.0 dB	1.32 dB
-3 dB Bandwidth	Typ. 30 MHz	32.3 MHz
Sensitivity (Attenuation)	Fo -(50) MHz	Typ. 37 dB
	Fo +(50) MHz	Typ. 26 dB
	Fo - ()MHz	Typ. dB
	Fo +()MHz	Typ. dB
Return Loss	Min. 12 dB	23.8 dB
Ripple	< 1 dB	dB
Group Delay	ns	ns
Impedance	In / Out : 50 Ω	In / Out : 50 Ω

4. Temperature Condition:

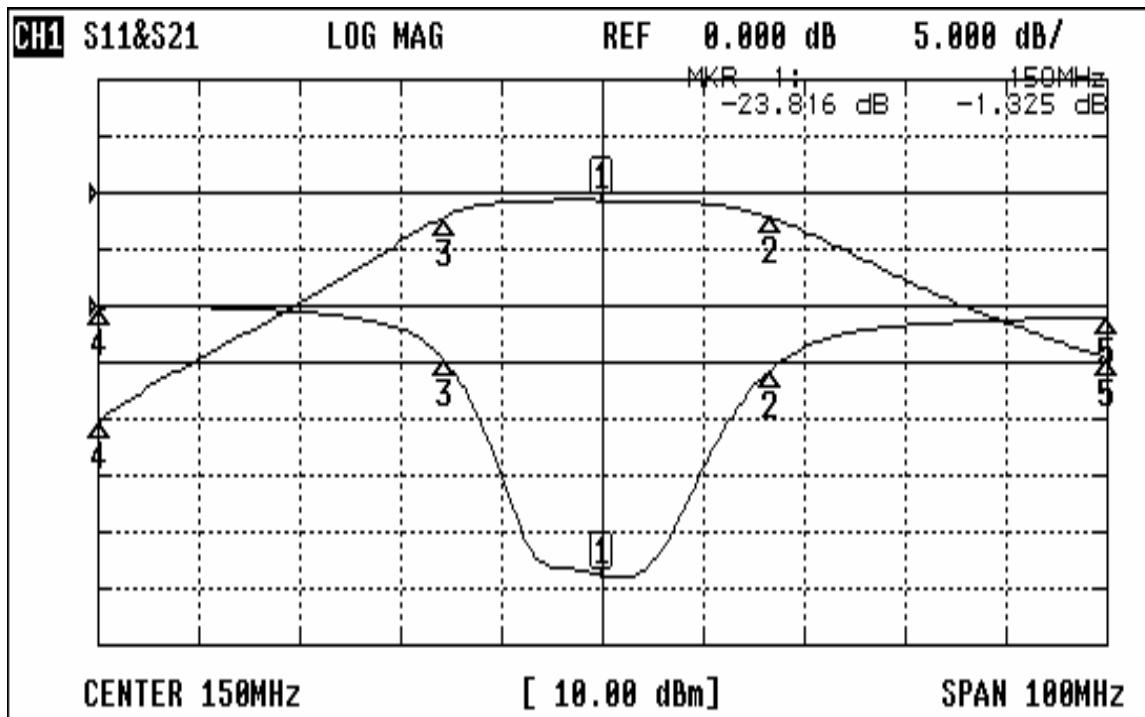
Operating Temperature	-30 ~ +70
Storage Temperature	-30 ~ +80

Approval	Supervisor	Designer	Aperture size
C.Y. Chang	C.S. Chang	C.S. Chang	7H3B(41*12)

TEMWELL CORPORATION

Performance-TM-TT67373B-150M-30MN

20409005DC



CH1 MARKER LIST

1:	150.000MHz	-23.816 dB	-1.325 dB
2:	166.583MHz	-5.748 dB	-4.315 dB
3:	134.250MHz	-4.628 dB	-4.362 dB
4:	100.000MHz	-0.142 dB	-40.412 dB
5:	200.000MHz	-0.986 dB	-29.218 dB
6:			
7:			
8:			
9:			
10:			