



Customized UHF SHF Filter & Miniature Duplexer

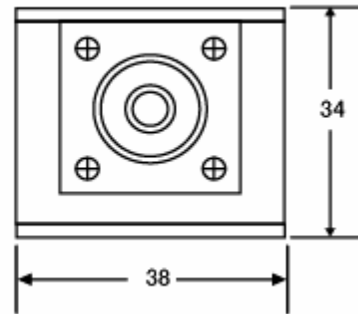
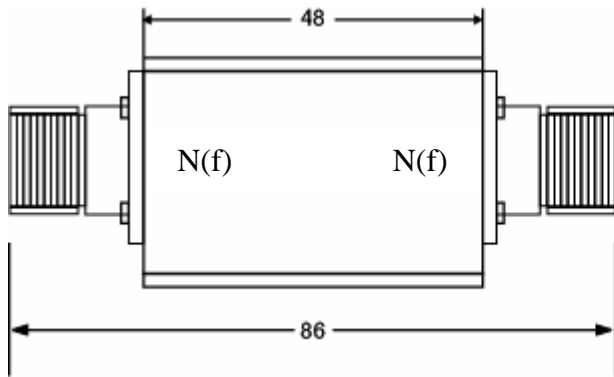
# TM Module Filter Specification Sheet

Issued Dated :

Customer Name		Temwell's Part No.	TM-TT67190A-90M-5MN
Approval No. /dated	20411026APR	Customer's Part No.	
Work Instruction No.	20411026C	Date	Dec.23.2005
Case Name	TM	<input type="checkbox"/> Temwell's print name	
Terminator Type	N(f)/N(f)	Case size : ( mm)	48*38*34

N Type

Unit:mm



### (3) Electric Character

Item	Specify	Performance
Center Freq.(Fo ) +/- 0.5 %	90 MHz	90 MHz
Insertion Loss	Typ. 4.0 dB	3.03 dB
-3 dB Bandwidth	Typ. 5 MHz	6.3 MHz
Sensitivity (Attenuation)	Fo -( 20) MHz	Typ. 43 dB
	Fo +( 20) MHz	Typ. 49 dB
	Fo - ( )MHz	Typ. dB
	Fo +( )MHz	Typ. dB
Return Loss	Min. 12 dB	20.9 dB
Ripple	< 1 dB	dB
Group Delay	ns	ns
Impedance	In / Out : 50 Ω	In / Out : 50 Ω

### 4. Temperature Condition:

Operating Temperature	-30 ~ +70
Storage Temperature	-30 ~ +80

Approval	Supervisor	Designer	Aperture size
C.Y. Chang	C.S. Chang	C.S. Chang	7H3B (41*12)

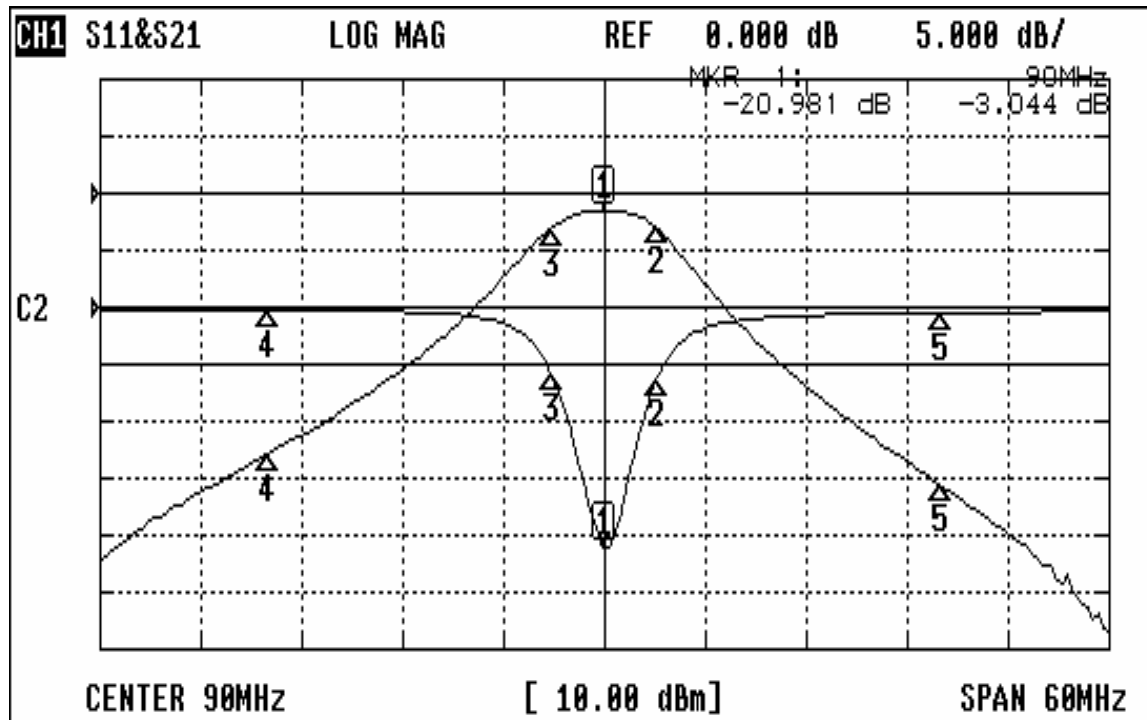
TEMWELL CORPORATION

TEMWELL Form11- TM- -Vession C

BP: C.S. Chang

# Performance-TM-TT67190A-90M-5MN

## 20411026C



### CH1 MARKER LIST

1:	90.000MHz	-20.981 dB	-3.044 dB
2:	93.150MHz	-6.346 dB	-6.053 dB
3:	86.850MHz	-5.745 dB	-6.049 dB
4:	70.000MHz	-0.245 dB	-45.800 dB
5:	110.000MHz	-0.461 dB	-51.258 dB
6:			
7:			
8:			
9:			
10:			