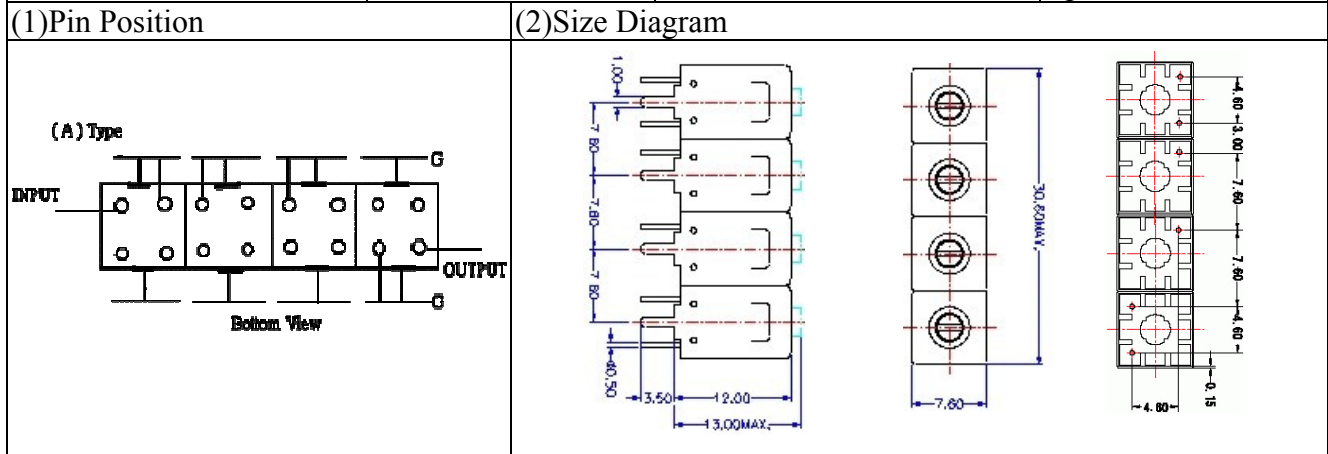


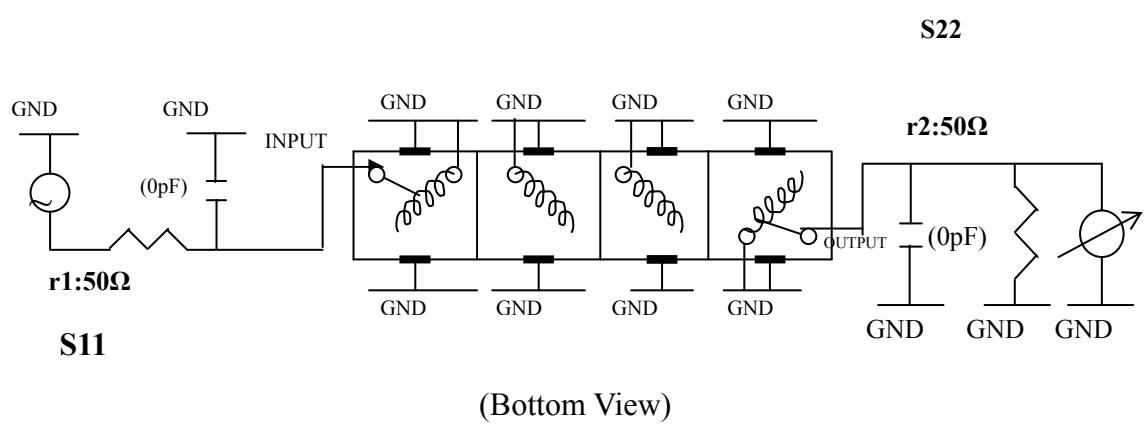
VHF UHF Helical Filter Specification Sheet

Customer Name		Temwell's Part No.	TF6964A-650M
Approval No. /dated		Temwell's Print Name	6964A 650M
Work Instruction No.	200903130C	Date	Apr.03.2009



(3)Electric Charasteric	
Item	Specify
Center Freq.(Fo) +/- 0.5 %	650 MHz
Insertion Loss	Typ. 7.0 dB
-3 dB Bandwidth	Typ. 5 MHz
Sensitivity (Attenuation)	Fo - 20 MHz Typ. 48 dBc
	Fo + 20 MHz Typ. 37 dBc
	Fo - ()MHz Typ. dBc
	Fo +()MHz Typ. dBc
Return Loss	Min. 12 dB
Ripple	< 1 dB
Impedance	In / Out : 50 Ω
(4)Torque for Tuning Screw	> 100gf cm
(5)Temperature Condition:	
Operating Temperature	0 ~ +60
Storage Temperature	-20 ~ +70
(6)Input Power	> 1Watt

(7) Measuring Circuit: Easy to match Impedance S11/S22 /50Ω by parallel with about(0pF) / (0pF).



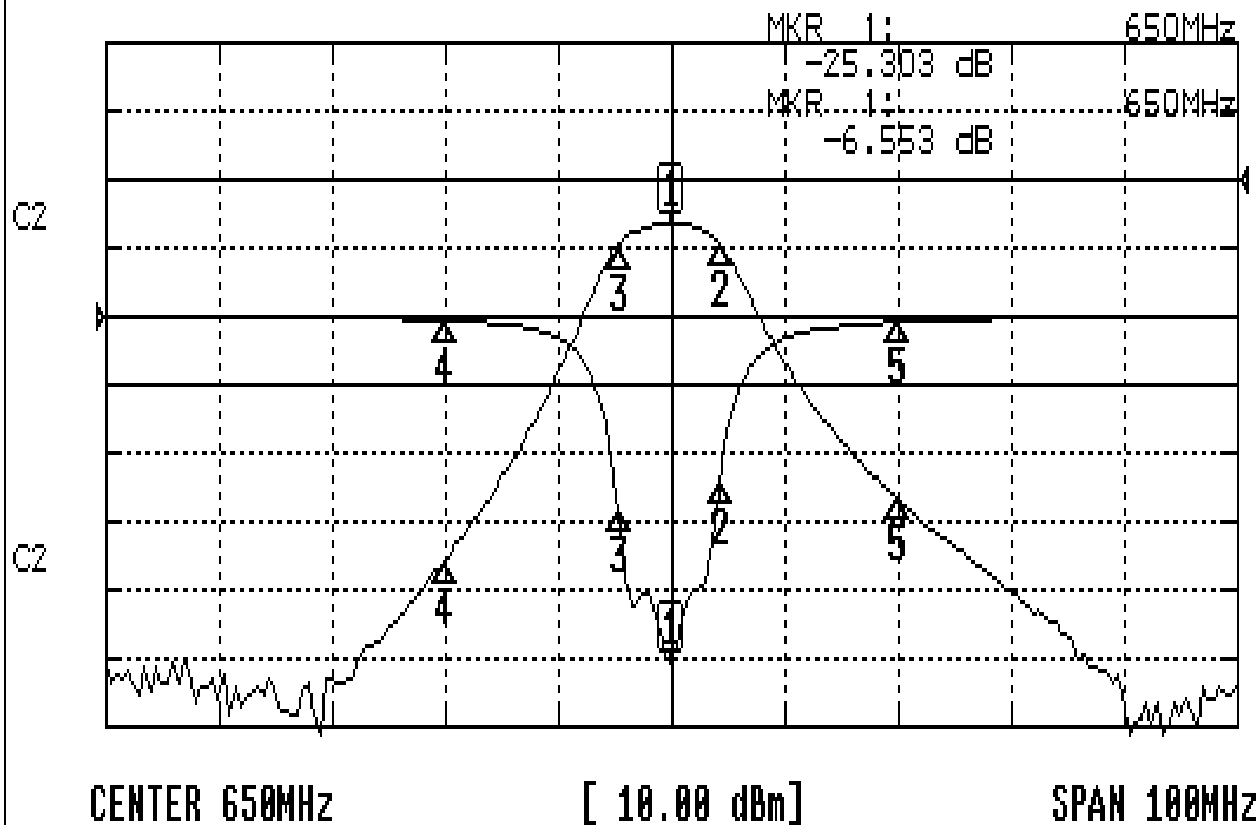
Approval	Supervisor	Designer	Aperture size
C.Y.Chang	C.K.Chang	W.S.Chen	7H4S(4*4.65)(4.66) 7H046LB4.3 聚 3

TEMWELL CORPORATION

Performance-TF6964A-650M

200903130C

CH1 S11 LOG MAG REF 0.000 dB 5.000 dB/
CH2 S21 LOG MAG REF 0.000 dB 10.000 dB/



CH1 MARKER LIST

1:	650.000MHz	-25.303 dB
2:	654.333MHz	-11.957 dB
3:	645.333MHz	-14.228 dB
4:	630.000MHz	-0.252 dB
5:	670.000MHz	-0.374 dB

CH2 MARKER LIST

1:	650.000MHz	-6.553 dB
2:	654.333MHz	-1.915 dB
3:	645.333MHz	-1.950 dB
4:	630.000MHz	-5.704 dB
5:	670.000MHz	-46.637 dB