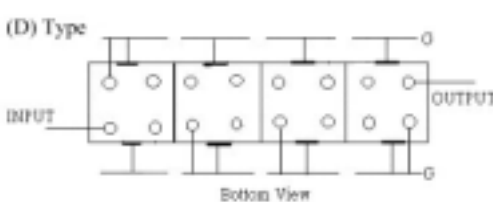
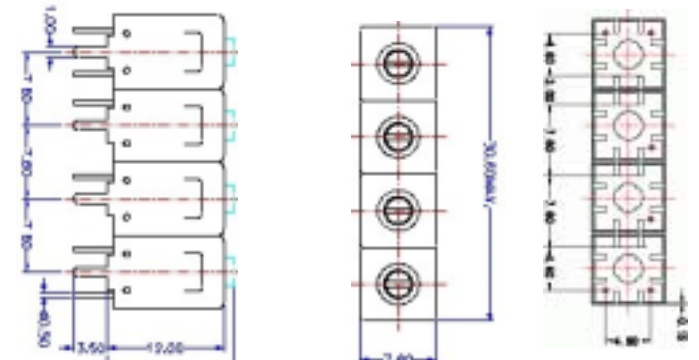
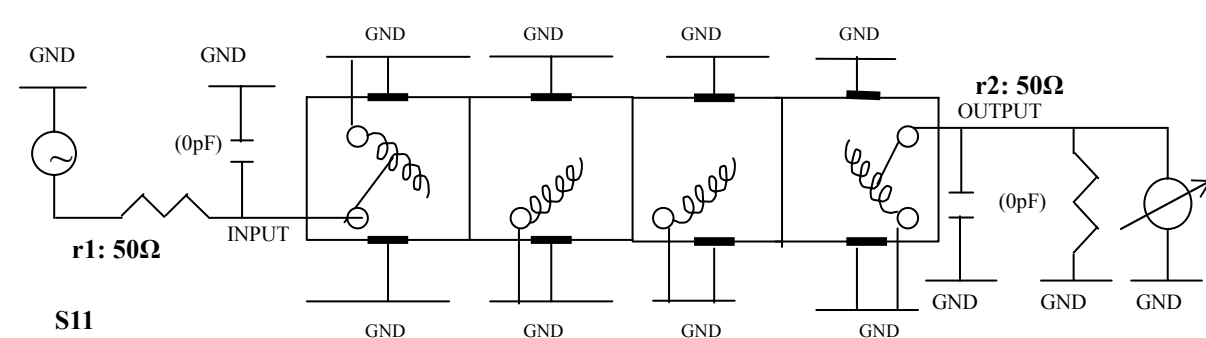


VHF UHF Helical Filter Specification Sheet

Customer Name		Temwell's Part No.	TF6959D-170M
Approval No. /dated	0709057APR	Temwell's Print name	6959D 170M
Work Instruction No.	0709057B	Date	Sep.28.2007

(1) Pin Position	(2) Size Diagram
 <p>(D) Type Bottom View</p>	

(3) Electric Characteristic	
Item	Specify
Center Freq.(Fo) +/- 0.75 %	170 MHz
Insertion Loss	Typ. 3.5 dB
-3 dB Bandwidth	Typ. 7 MHz
Sensitivity (Attenuation)	Fo - 20 MHz Typ. 60 dBc
	Fo + 20 MHz Typ. 43 dBc
	Fo - ()MHz Typ. dBc
	Fo +()MHz Typ. dBc
Return Loss	Min. 12 dB
Ripple	< 1 dB
Impedance	In / Out : 50 Ω
(4) Torque for Tuning Screw	> 100gf cm
(5) Temperature Condition:	
Operating Temperature	-30 ~ +70
Storage Temperature	-30 ~ +80
(6) Input Power	> 1Watt

(7) Measuring Circuit:	Easy to match Impedance S11/S22 50Ω/ by parallel with about (0 pF) / (0 pF).
 <p style="text-align: center;">S22</p> <p style="text-align: center;">S11</p>	
(Bottom View)	

Approval	Supervisor	Designer	Aperture size
C.Y.Chang	C.S.Chang	P.H.Chiang	7H4(4*6.5)(6.59) 7H024LB4

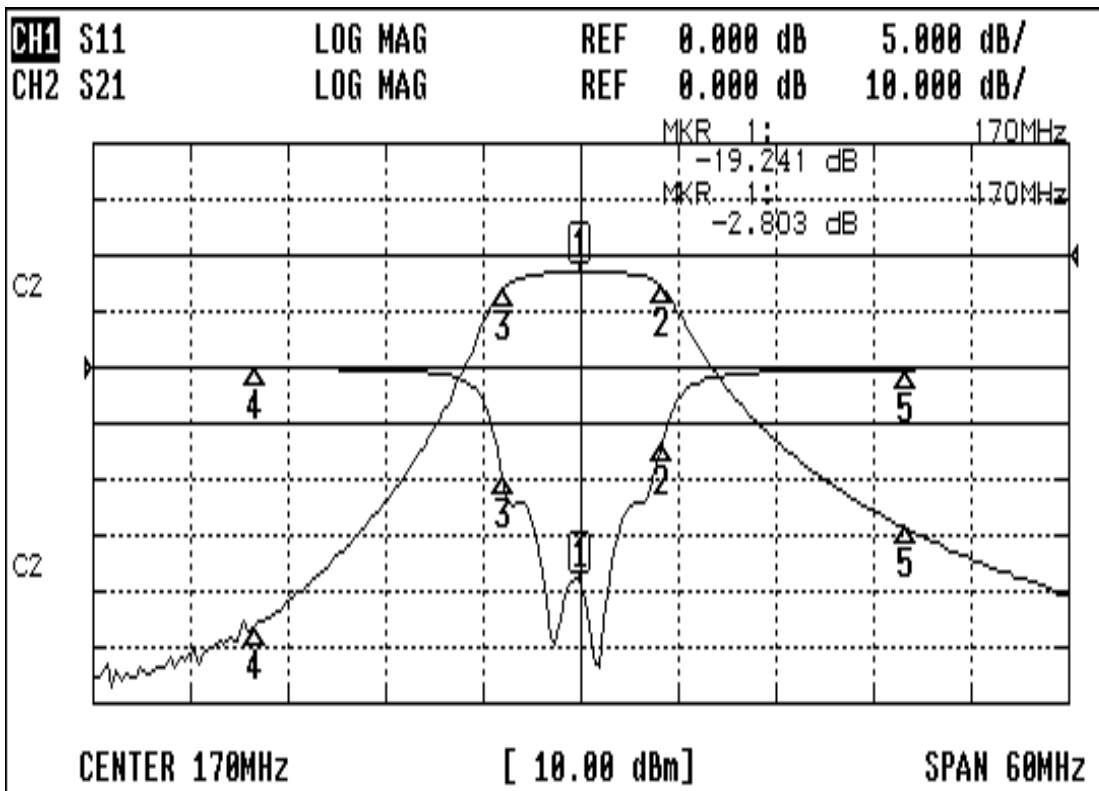
TEMWELL CORPORATION

TEMWELL

RP(ph)

Performance-TF6959D-170M

0709057B



CH1 MARKER LIST

1:	170.000MHz	-19.248 dB
2:	175.050MHz	-6.716 dB
3:	165.200MHz	-9.761 dB
4:	150.000MHz	-0.087 dB
5:	190.000MHz	-0.153 dB

CH2 MARKER LIST

1:	170.000MHz	-2.803 dB
2:	175.050MHz	-5.832 dB
3:	165.200MHz	-5.816 dB
4:	150.000MHz	-66.259 dB
5:	190.000MHz	-48.650 dB