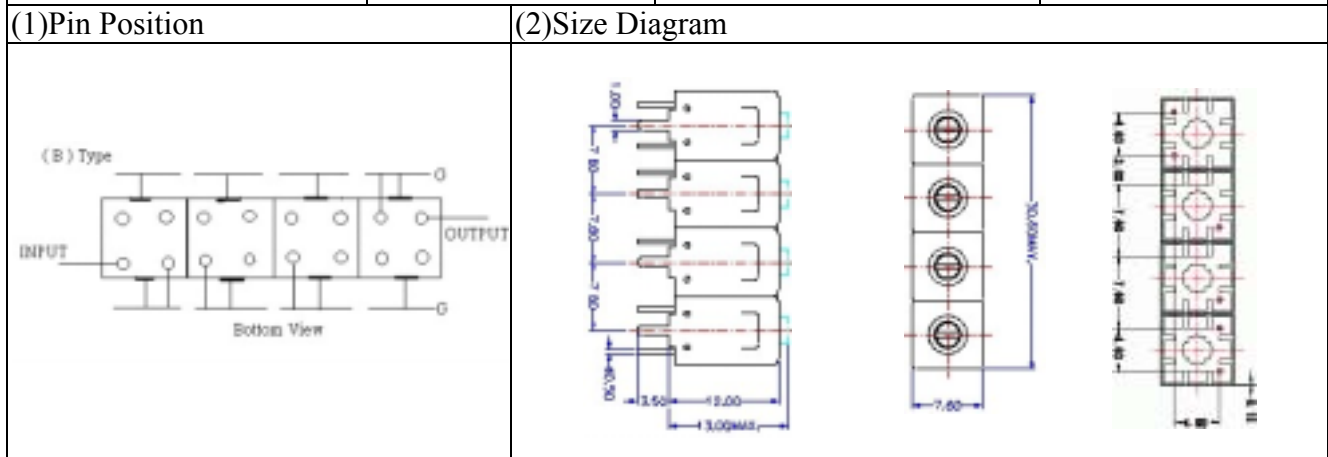
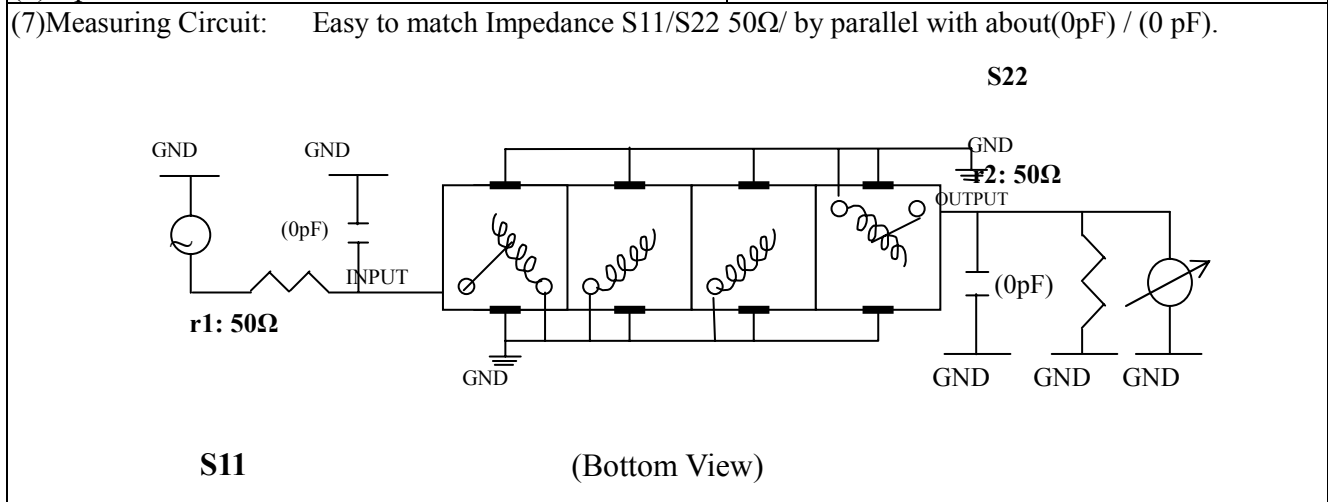


# VHF UHF Helical Filter Specification Sheet

Customer Name		Temwell's Part No.	TF69466B-426.5M
Approval No. /dated	0712099APR	Temwell's Print Name	69466B 426.5M
Work Instruction No.	0712099CD	Date	Jan.10.2008



(3)Electric Charasteric	
Item	Specify
Center Freq.(Fo ) +/- 0.5 %	426.5 MHz
Insertion Loss	Typ. 5.0 dB
-3 dB Bandwidth	Typ. 7 MHz
Sensitivity (Attenuation )	Fo - 30 MHz Typ. 53 dBc
	Fo + 30 MHz Typ. 43 dBc
	Fo - ( )MHz Typ. dBc
	Fo +( )MHz Typ. dBc
Return Loss	Min. 12 dB
Ripple	< 1 dB
Impedance	In / Out : 50 Ω
(4)Torque for Tuning Screw	>100gf cm
(5)Temperature Condition:	
Operating Temperature	0 ~ +60
Storage Temperature	-20 ~ +70
(6)Input Power	> 1Watt

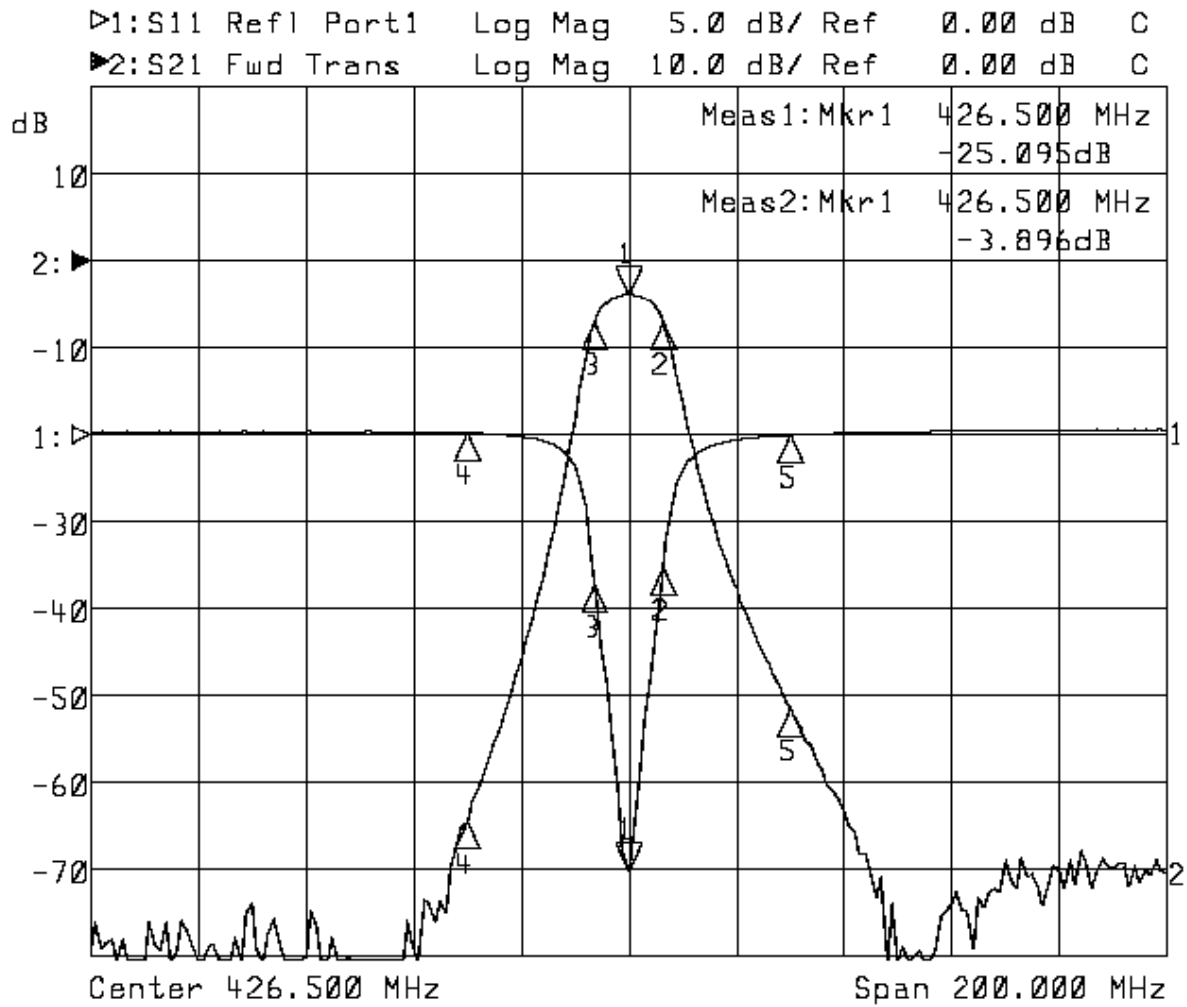


Approval	Supervisor	Designer	Aperture size
C.Y.Chang	C.S.Chang	Y.H.Chuan	7H4(4*6.5)F 7H046LB4 聚 3

TEMWELL CORPORATION

# Performance-TF69466B-426.5M

## 0712099CD



1: Mkr (MHz)	dB	2: Mkr (MHz)	dB
1> 426.5000	-25.095	1> 426.5000	-3.896
2: 432.9000	-7.606	2: 432.9000	-6.980
3: 420.1667	-8.594	3: 420.1667	-6.898
4: 396.5000	0.067	4: 396.5000	-64.624
5: 456.5000	-0.037	5: 456.5000	-51.541