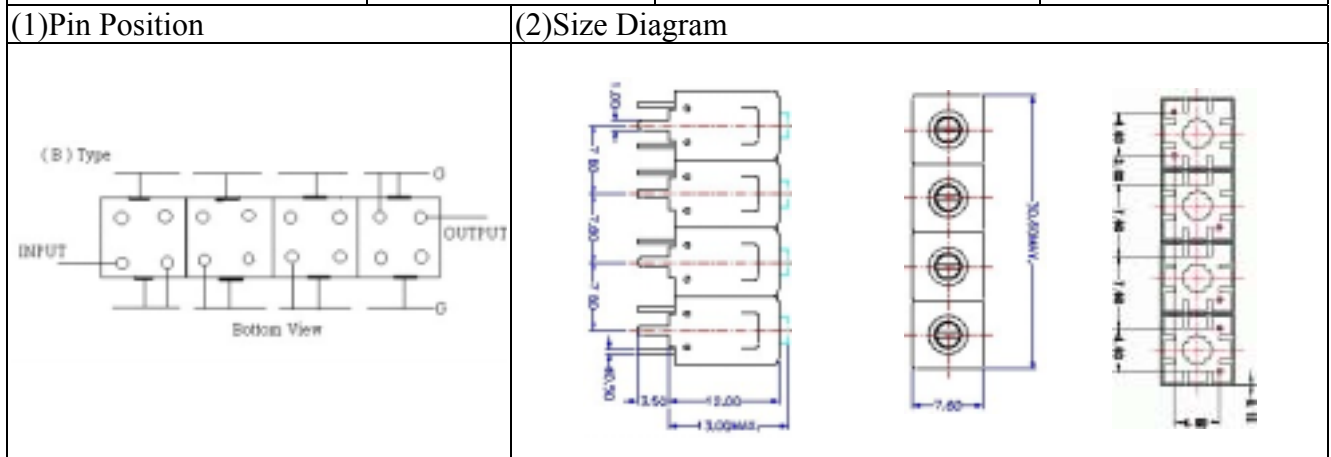
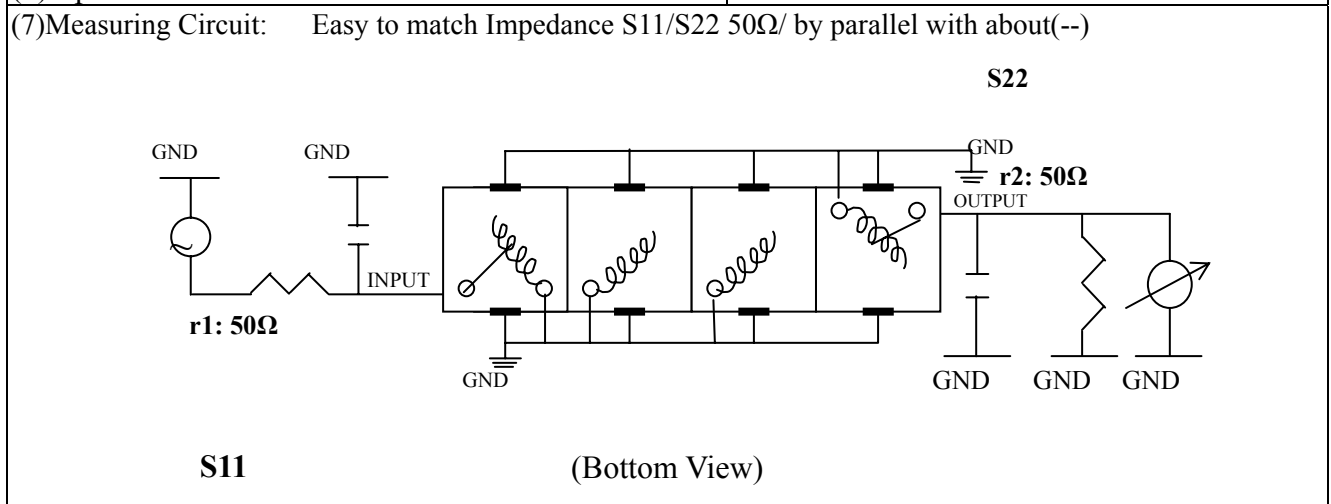


VHF UHF Helical Filter Specification Sheet

Customer Name		Temwell's Part No.	TF69257B-530M
Approval No. /dated	201103142CD	Temwell's Print name	69257B 530M
Work Instruction No.	201103142CD	Date	Mar.16.2011



(3)Electric Charasteric		Item	Specify
Center Freq.(Fo) +/- 0.5 %			530 MHz
Insertion Loss		Typ.	3.0 dB
-3 dB Bandwidth		Typ.	40 MHz
Sensitivity (Attenuation)	Fo - 50 MHz	Typ.	36 dBc
	Fo +50 MHz	Typ.	23 dBc
	Fo - ()MHz	Typ.	dBc
	Fo +()MHz	Typ.	dBc
Return Loss		Min.	12 dB
Ripple			< 1 dB
Impedance			In / Out : 50 Ω
(4)Torque for Tuning Screw			> 60gf cm
(5)Temperature Condition:			
Operating Temperature			0 ~ +60
Storage Temperature			-20 ~ +70
(6)Input Power			> 1Watt



Approval	Supervisor	Designer	Aperture size
C.Y.Chang	C.K.Chang	P.H.Chiang	7H4S(4*8.0)8.03 7H046LB4.3 聚 3(J1)

TEMWELL CORPORATION

Performance-TF69257B-530M

201103142CD

