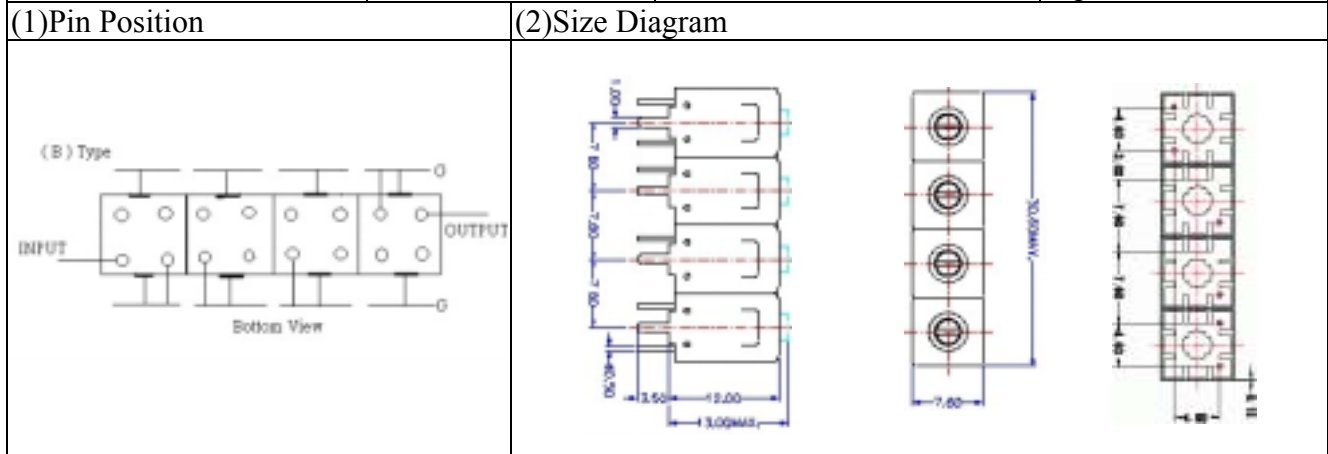


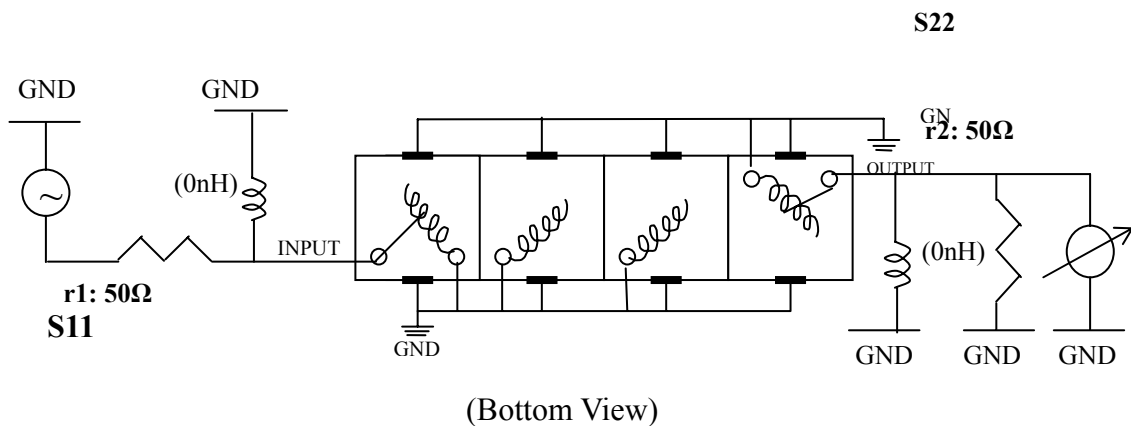
VHF UHF Helical Filter Specification Sheet

Customer Name		Temwell's Part No.	TF69182B-152.5M
Approval No. /dated	200809006C	Temwell's Print Name	69182B 152.5M
Work Instruction No.	200809006C	Date	Sep.11.2008



(3) Electric Characteristic	
Item	Specify
Center Freq.(Fo) +/- 0.5 %	152.5 MHz
Insertion Loss	Typ. 3.0 dB
-3 dB Bandwidth	Typ. 17 MHz
Sensitivity (Attenuation)	Fo - 20 MHz Typ. 28 dBc
	Fo + 20 MHz Typ. 21 dBc
	Fo - ()MHz Typ. dBc
	Fo +()MHz Typ. dBc
Return Loss	Min. 12 dB
Ripple	< 1 dB
Impedance	In / Out : 50 Ω
(4) Torque for Tuning Screw	> 100gf cm
(5) Temperature Condition:	
Operating Temperature	0 ~ +60
Storage Temperature	-20 ~ +70
(6) Input Power	> 1Watt

(7) Measuring Circuit: Easy to match Impedance S11/S22 50Ω by parallel with about(0 nH) / (0 nH).



Approval C.Y.Chang	Supervisor C.S.Chang	Designer Y.H.Yeh	Aperture size 7H4S(4*5.5F) 7H00LB6
-----------------------	-------------------------	---------------------	--

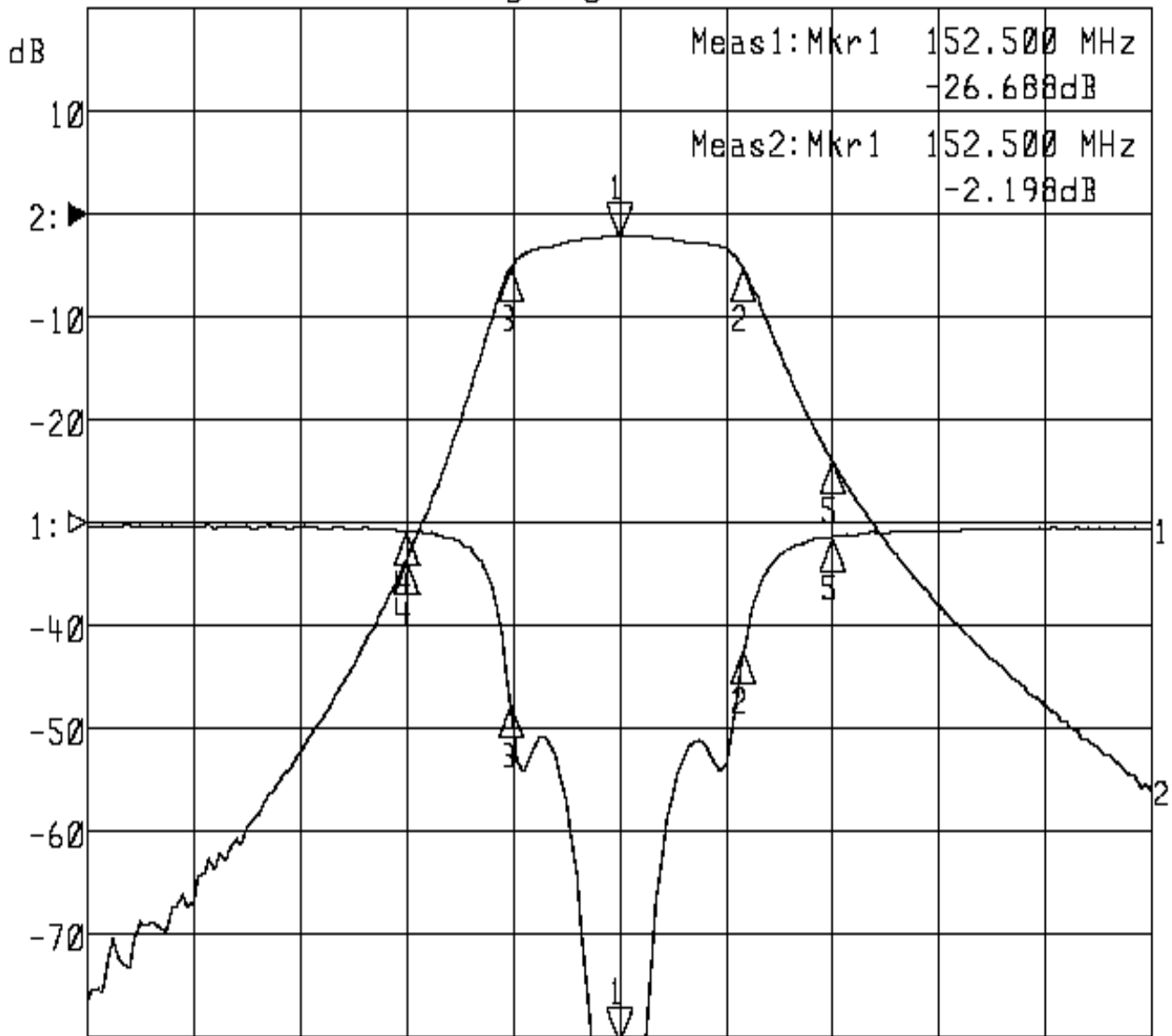
TEMWELL CORPORATION

Performance-TF69182B-152.5M

200809006C

►1:S11 Refl Port1 Log Mag 5.0 dB/ Ref 0.00 dB C

►2:S21 Fwd Trans Log Mag 10.0 dB/ Ref 0.00 dB C



Center 152.500 MHz

Span 100.000 MHz

1: Mkr (MHz)	dB	2: Mkr (MHz)	dB
1> 152.5000	-26.688	1> 152.5000	-2.198
2: 164.1667	-6.306	2: 164.1667	-5.245
3: 142.3000	-8.837	3: 142.3000	-5.274
4: 132.5000	-0.478	4: 132.5000	-33.673
5: 172.5000	-0.717	5: 172.5000	-23.947