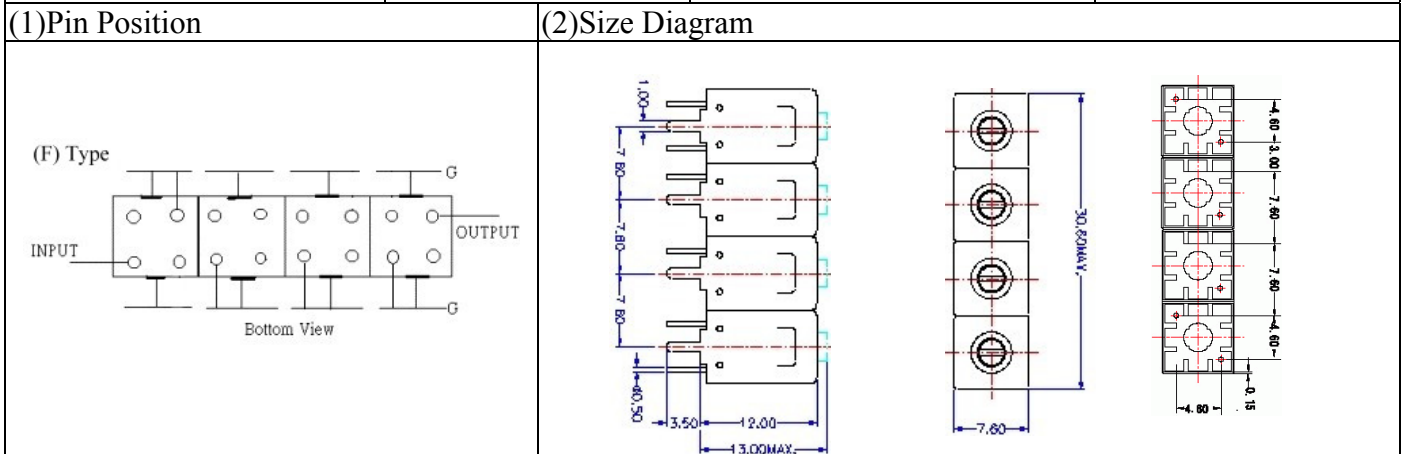


# VHF UHF Helical Filter Specification Sheet

Customer Name		Temwell's Part No.	TF64336F-575M
Approval No. /dated		Temwell's Print name	64336F 575M
Work Instruction No.	201504058C	Date	Jun.29.2015

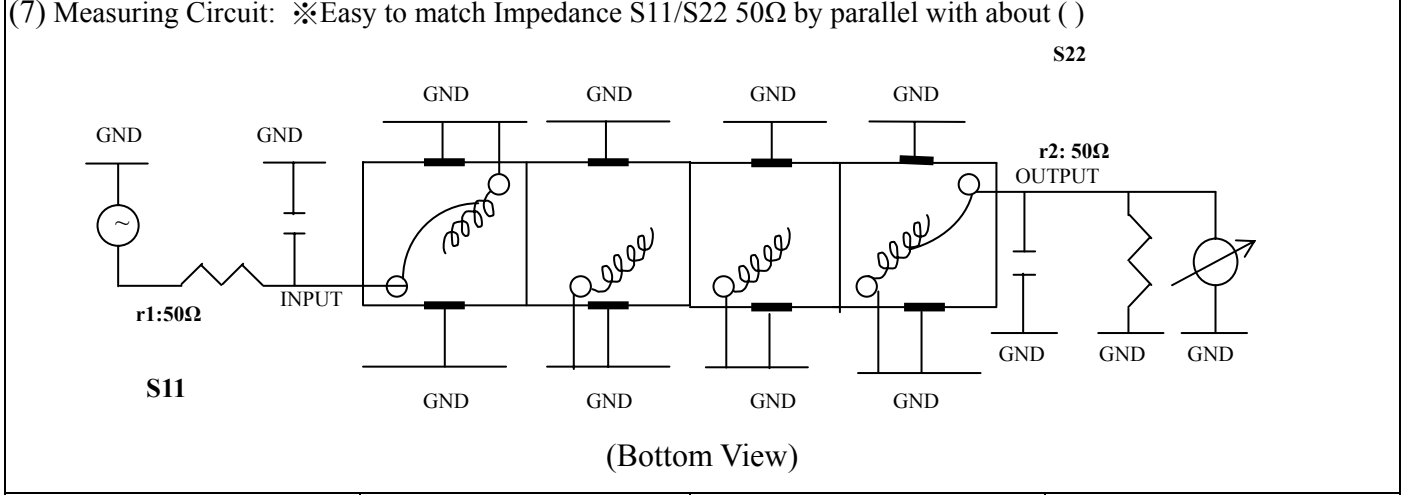


(3) Electric Chararistic		Item	Specify
		Center Freq.(Fo) +/- 0.5 %	575 MHz
		Insertion Loss	Typ. 2.0 dB
		-3 dB Bandwidth	Typ. 120 MHz
Sensitivity (Attenuation)	Fo - (150) MHz	Typ. 45	dBc
	Fo + (150) MHz	Typ. 30	dBc
	Fo - ( ) MHz	Typ.	dBc
	Fo +( ) MHz	Typ.	dBc
		Return Loss	Min. 12 dB
		Ripple	< 1 dB
		Impedance	In / Out : 50 Ω

(4) Torque for Tuning Screw > 60gf • cm

(5) Temperature Condition:	
Operating Temperature	0°C ~ +60°C
Storage Temperature	-20°C ~ +70°C

(6) Input Power > 1Watt



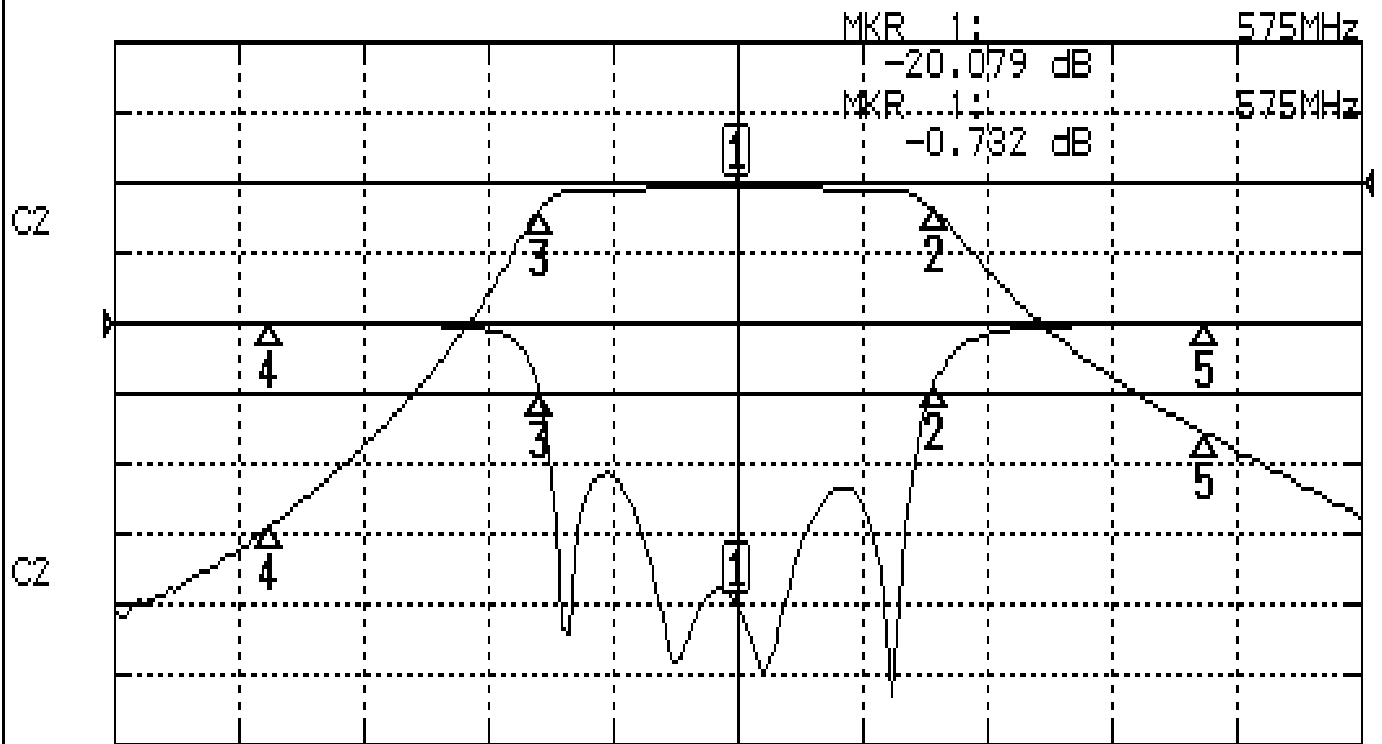
Approval	Supervisor	Designer	Aperture size
C.Y.Chang	C.K.Chang	C.S.Chang	7H4S(4*8.0)(8.03) 7H046RB6.5(J1)

TEMWELL CORPORATION

# Performance-TF64336F-575M

## 201504058C

CH1 S11 LOG MAG REF 0.000 dB 5.000 dB/  
CH2 S21 LOG MAG REF 0.000 dB 10.000 dB/



CENTER 575MHz

[ 10.00 dBm ]

SPAN 400MHz

### CH1 MARKER LIST

1:	575.000MHz	-20.079 dB
2:	638.000MHz	-4.502 dB
3:	511.666MHz	-5.055 dB
4:	425.000MHz	-0.009 dB
5:	725.000MHz	0.022 dB

### CH2 MARKER LIST

1:	575.000MHz	-0.732 dB
2:	638.000MHz	-3.780 dB
3:	511.666MHz	-3.722 dB
4:	425.000MHz	-48.840 dB
5:	725.000MHz	-35.671 dB