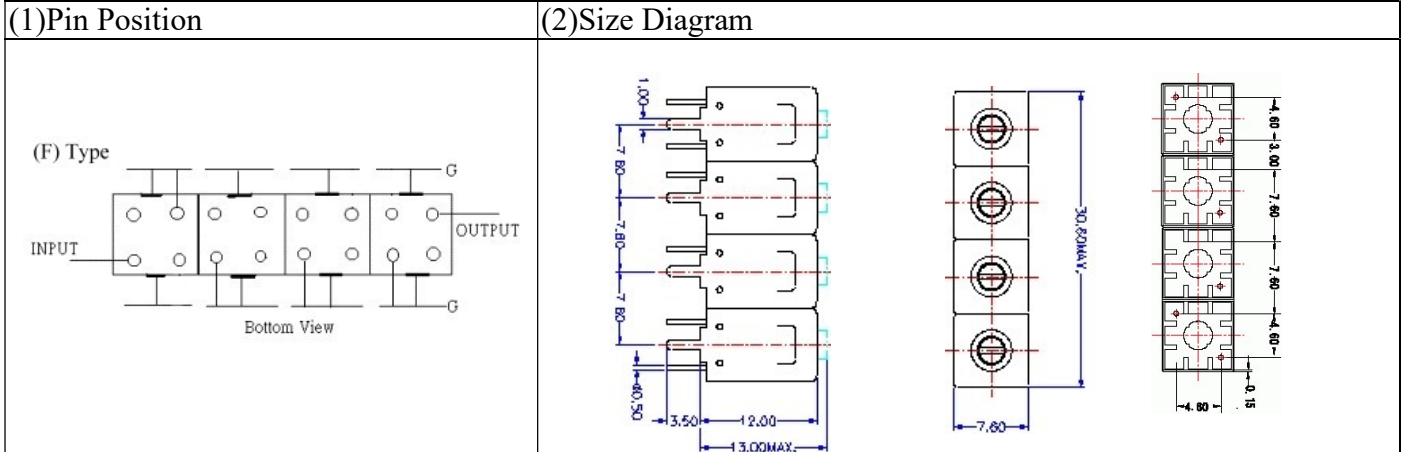
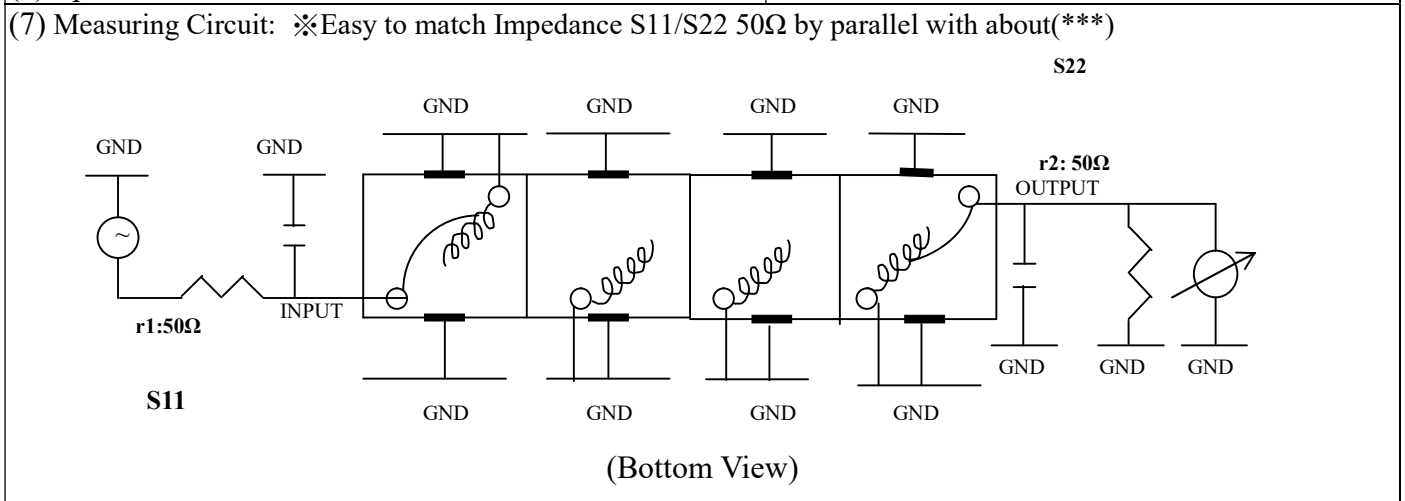


VHF UHF Helical Filter Specification Sheet

Customer Name		Temwell's Part No.	TF64333F-666M
Approval No. /dated	200903096APR	Temwell's Print name	64333F 666M
Work Instruction No.	201504061C	Date	Apr.01.2016



(3) Electric Charasteric	
Item	Specify
Center Freq.(Fo) +/- 0.5 %	666 MHz
Insertion Loss	Typ. 2.0 dB
-3 dB Bandwidth	Typ. 125 MHz
Sensitivity (Attenuation)	Fo - 126 MHz Typ. 33 dB
	Fo + 126 MHz Typ. 23 dB
	Fo - () MHz Typ. dBc
	Fo +() MHz Typ. dBc
Return Loss	Min. 12 dB
Ripple	< 1 dB
Impedance	In / Out : 50 Ω
(4) Torque for Tuning Screw	
> 60gf · cm	
(5) Temperature Condition:	
Operating Temperature	0°C ~ +60°C
Storage Temperature	-20°C ~ +70°C
(6) Input Power	
> 1Watt	



Approval	Supervisor	Designer	Aperture size
C.Y.Chang	C.K.Chang	C.S.Chang	7H4S(4*8.0)(8.01) 7H046RB6.5
TEMWELL CORPORATION			

Performance-TF64333F-666M

201504061C

