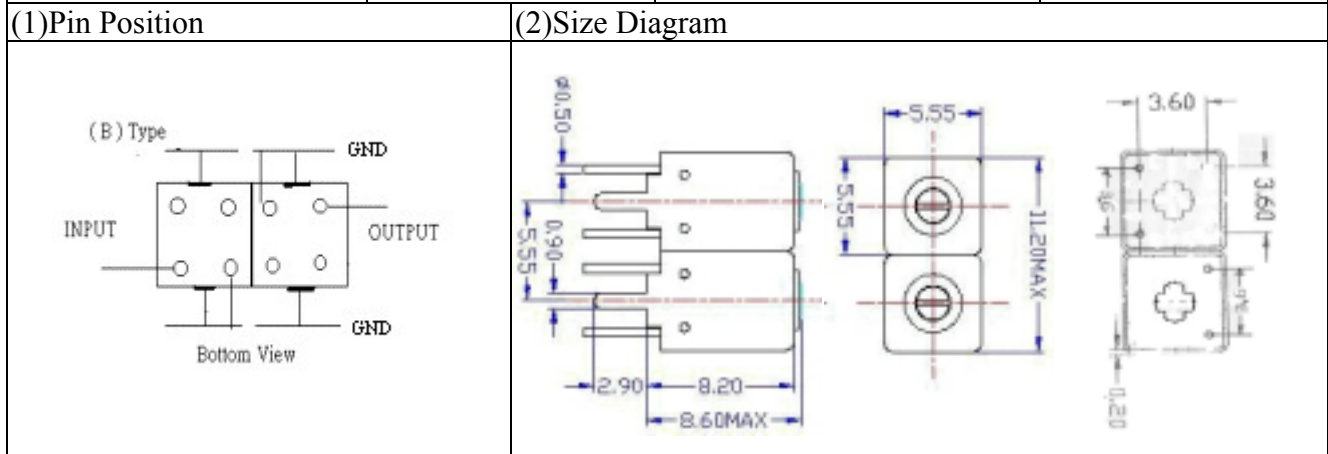


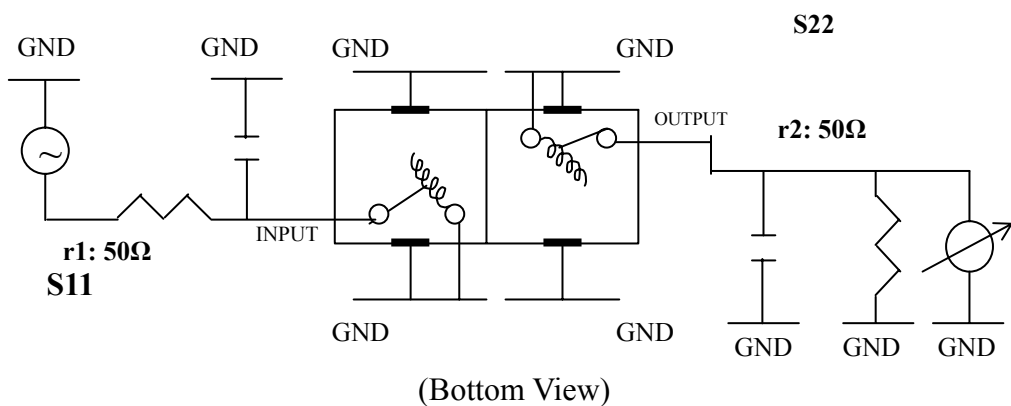
VHF UHF Helical Filter Specification Sheet

Customer Name		Temwell's Part No.	TDW2575B-1282.5M
Approval No. /dated	201107083CD	Temwell's print Name.	2575B 1282.5M
Work Instruction No.	201107083CD	Date	Nov.15.2011



(3) Electric Charasteric	
Item	Specify
Center Freq.(Fo) +/- 0.5 %	1282.5 MHz
Insertion Loss	Typ. 5.0 dB
-3 dB Bandwidth	Typ. 29 MHz
Sensitivity (Attenuation)	Fo - 100 MHz Typ. 27 dBc
	Fo + 100 MHz Typ. 23 dBc
	Fo - ()MHz Typ. dBc
	Fo +()MHz Typ. dBc
Return Loss	Min. 12 dB
Ripple	< 1 dB
Impedance	In / Out : 50 Ω
(4) Torque for Tuning Screw	
> 60gf cm	
(5) Temperature Condition:	
Operating Temperature	0 ~ +60
Storage Temperature	-20 ~ +70
(6) Input Power	
> 0.5Watt	

(7) Measuring Circuit: Easy to match Impedance 50Ω by parallel with about (--)/(--)



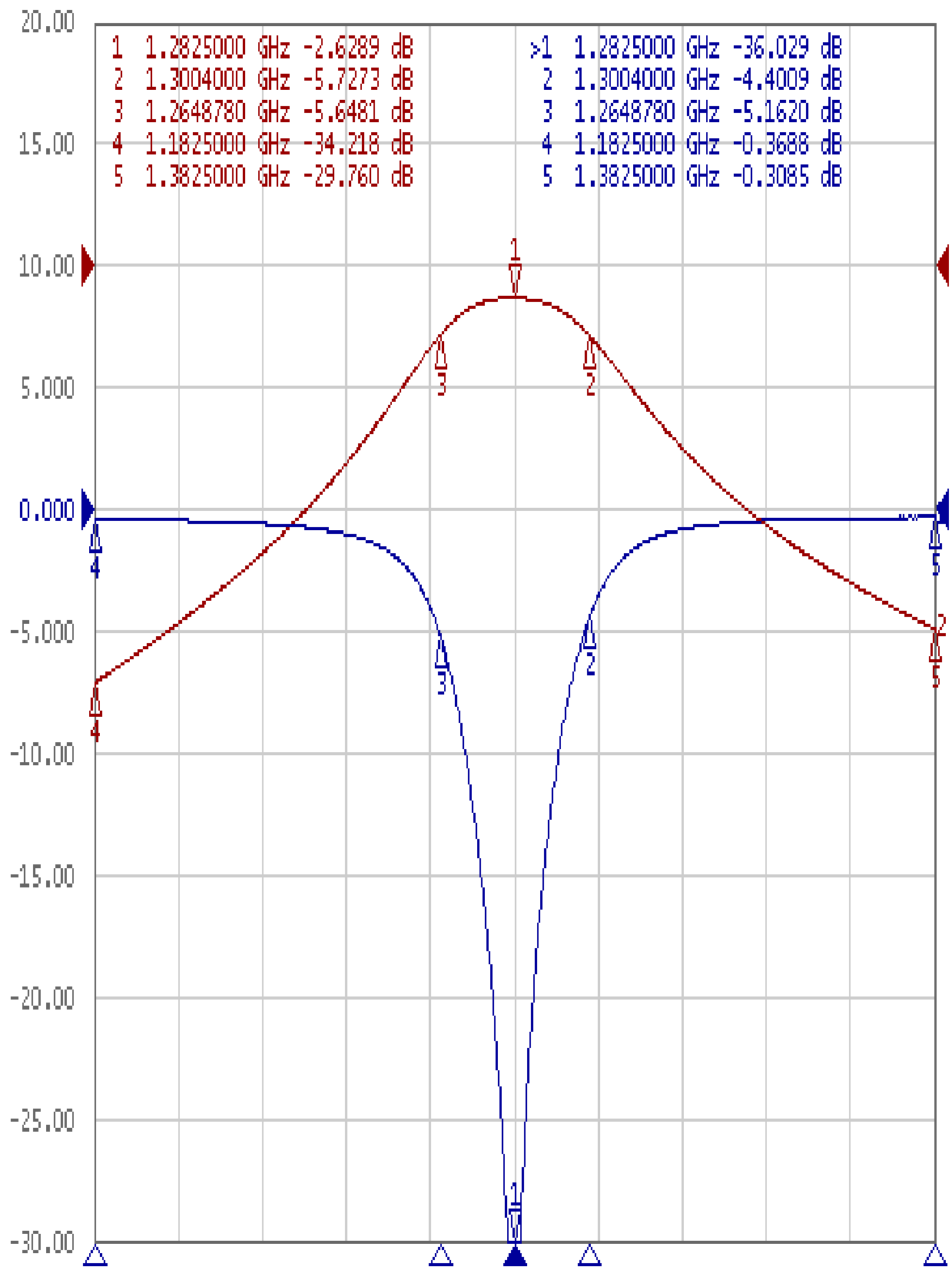
Approval C.Y.Chang	Supervisor C.K.Chang	Designer F.L.Lai	Aperture size 5W2S(3.8*4.0)(4.04) 5HW024RB3
-----------------------	-------------------------	---------------------	---

TEMWELL CORPORATION

Performance-TDW2575B-1282.5M

201107083CD

Tr1 S11 Log Mag 5.000dB/ Ref 0.000dB [F2]
Tr2 S21 Log Mag 10.00dB/ Ref 0.000dB [F2]



1 Center 1.2825 GHz IFBW 10 kHz Span 200 MHz Cor !