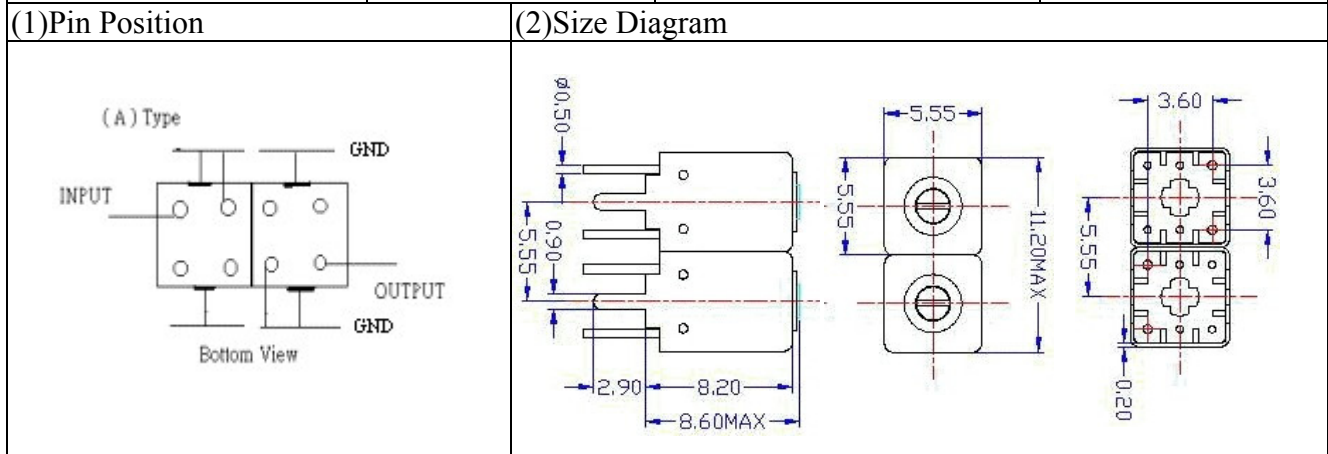


# VHF UHF Helical Filter Specification Sheet

Customer Name		Temwell's Part No.	TDR2633A-420M
Approval No. /dated		Temwell's Print Name.	2633A 420M
Work Instruction No.	201302026C	Date	Jul.26.2013



### (3)Electric Charasteric

Item	Specify
Center Freq.(Fo ) +/- 0.5 %	420 MHz
Insertion Loss	Typ. 2.5 dB
-3 dB Bandwidth	Typ. 20 MHz
Sensitivity (Attenuation )	Fo - 50 MHz Typ. 23 dBc
	Fo + 50 MHz Typ. 25 dBc
	Fo - ( )MHz Typ. dB
	Fo +( )MHz Typ. dB
Return Loss	Min. 12 dB
Ripple	< 1 dB
Impedance	In / Out : 50 Ω

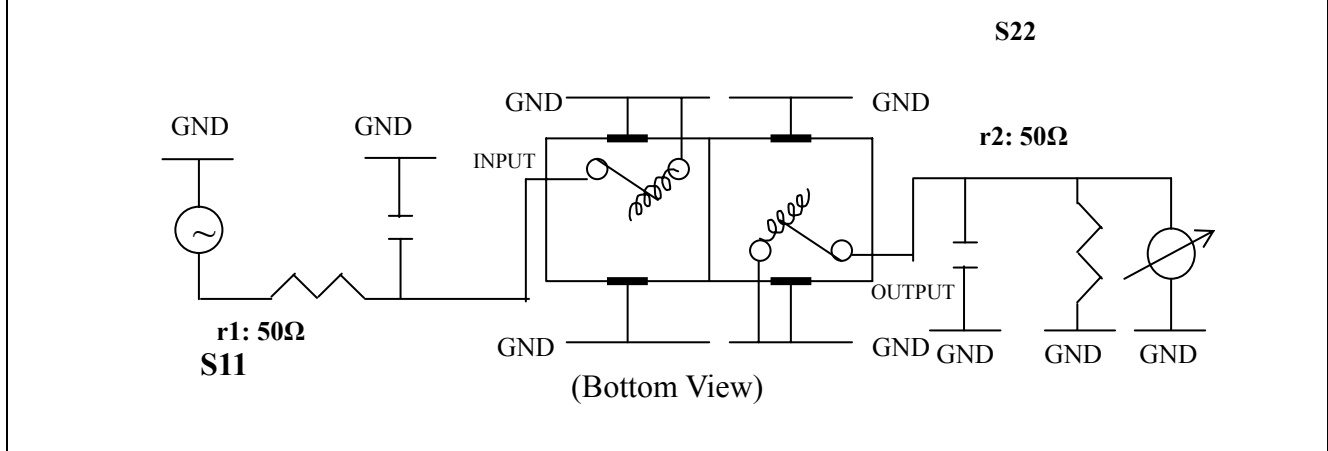
(4)Torque for Tuning Screw > 60gf • cm

### (5)Temperature Condition:

Operating Temperature	0°C ~ +60°C
Storage Temperature	-20°C ~ +70°C

(6)Input Power > 0.5Watt

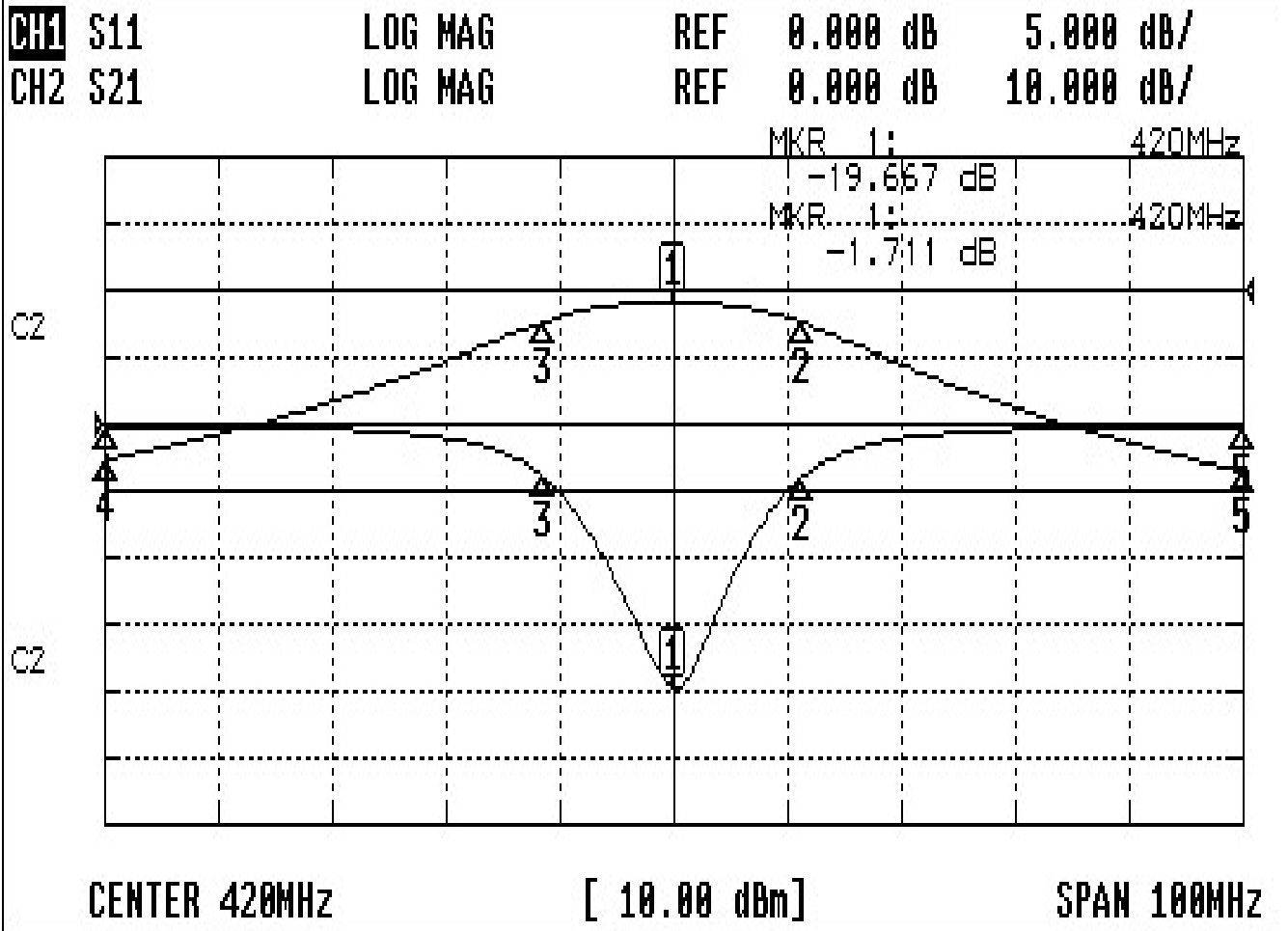
(7)Measuring Circuit: ※Easy to match Impedance 50Ω by parallel with about (--)



Approval	Supervisor	Designer	Aperture size
C.Y.Chang	C.K.Chang	C.KO.Chang	5WR2S(3.8*4.2)(4.23) 5HW024RB3
TEMWELL CORPORATION			

# Performance-TDR2633A-420M

201302026C



## CH1 MARKER LIST

1:	420.000MHz	-19.667 dB
2:	431.166MHz	-4.121 dB
3:	408.583MHz	-3.986 dB
4:	370.000MHz	-0.151 dB
5:	470.000MHz	-0.164 dB

## CH2 MARKER LIST

1:	420.000MHz	-1.712 dB
2:	431.166MHz	-4.733 dB
3:	408.583MHz	-4.719 dB
4:	370.000MHz	-25.455 dB
5:	470.000MHz	-27.029 dB