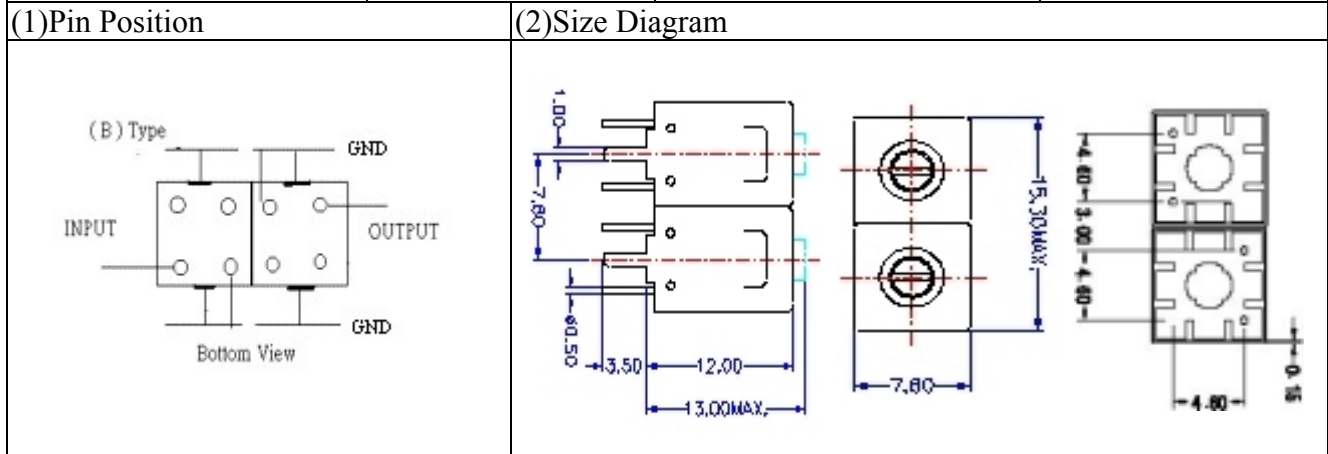


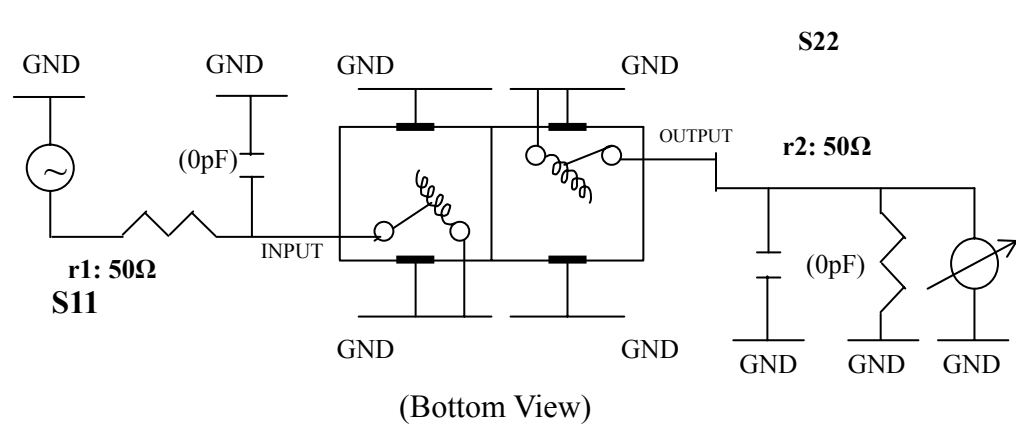
VHF UHF Helical Filter Specification Sheet

Customer Name		Temwell's Part No.	TD6835B-265M
Approval No. /dated	0801071APR	Customer's Part No.	6835B 265M
Work Instruction No.	0801071CD	Date	Mar.17.2008



(3)Electric Charasteric	
Item	Specify
Center Freq.(Fo) +/- 0.5 %	265 MHz
Insertion Loss	Typ. 3.5 dB
-3 dB Bandwidth	Typ. 7 MHz
Sensitivity (Attenuation)	Fo - 10 MHz Typ. 11 dBc
	Fo + 10 MHz Typ. 15 dBc
	Fo - ()MHz Typ. dBc
	Fo +()MHz Typ. dBc
Return Loss	Min. 12 dB
Ripple	< 1 dB
Impedance	In / Out : 50 Ω
(4)Torque for Tuning Screw	> 100gf cm
(5)Temperature Condition:	
Operating Temperature	0 ~ +60
Storage Temperature	-20 ~ +70
(6)Input Power	> 1Watt

(7)Measuring Circuit: Easy to match Impedance 50Ω by parallel with about (0) pF.

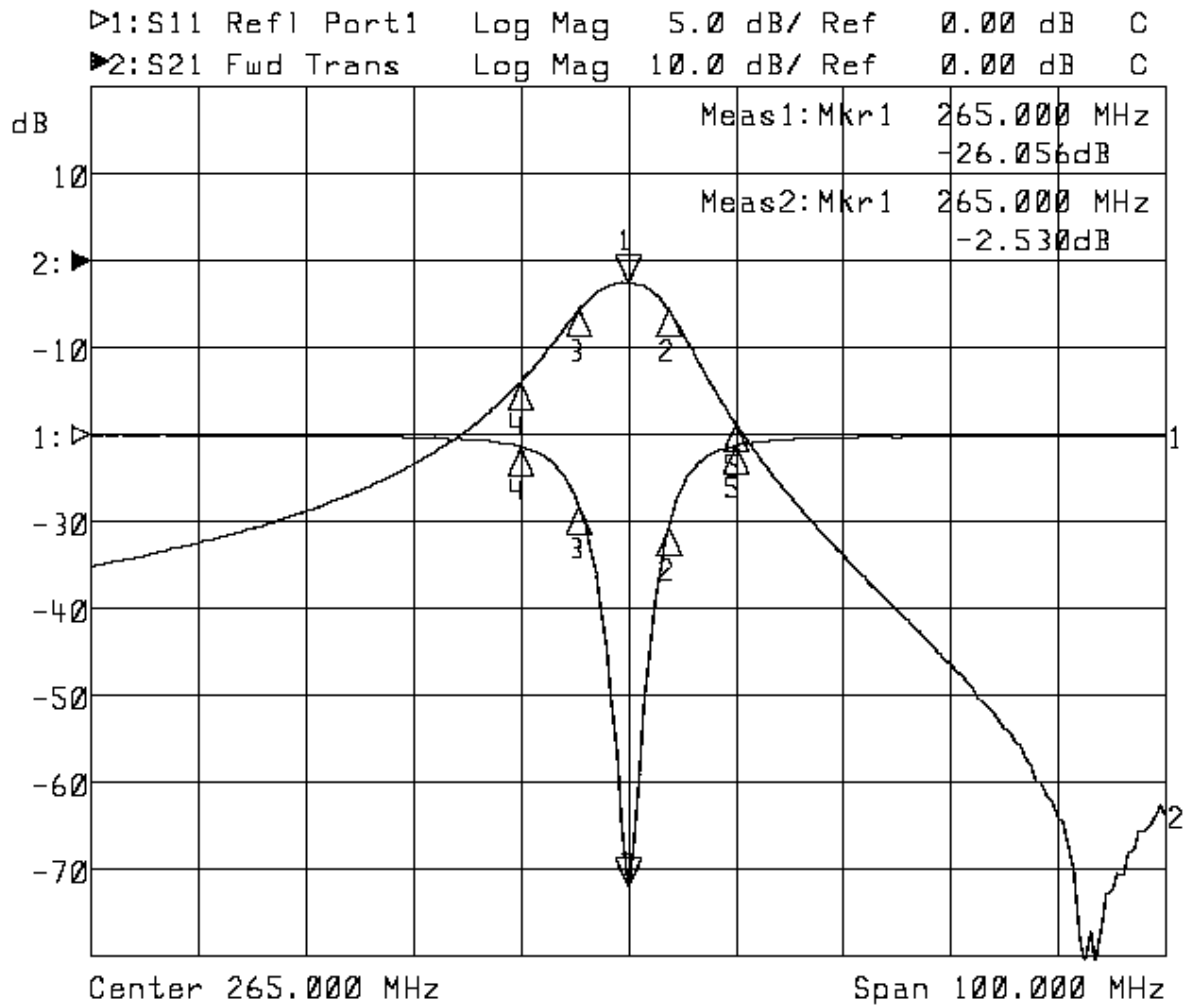


Approval C.Y.Chang	Supervisor C.S.Chang	Designer Y.H.Chuan	Aperture size 7H2(4*4.65F)*(4.0B) 7H024LB4
-----------------------	-------------------------	-----------------------	--

TEMWELL CORPORATION

Performance-TD6835B-265M

0801071CD



1: Mkr (MHz)	dB	2: Mkr (MHz)	dB
1> 265.0000	-26.056	1> 265.0000	-2.530
2: 268.7333	-5.421	2: 268.7333	-5.547
3: 260.5000	-4.167	3: 260.5000	-5.551
4: 255.0000	-0.707	4: 255.0000	-13.943
5: 275.0000	-0.651	5: 275.0000	-18.715