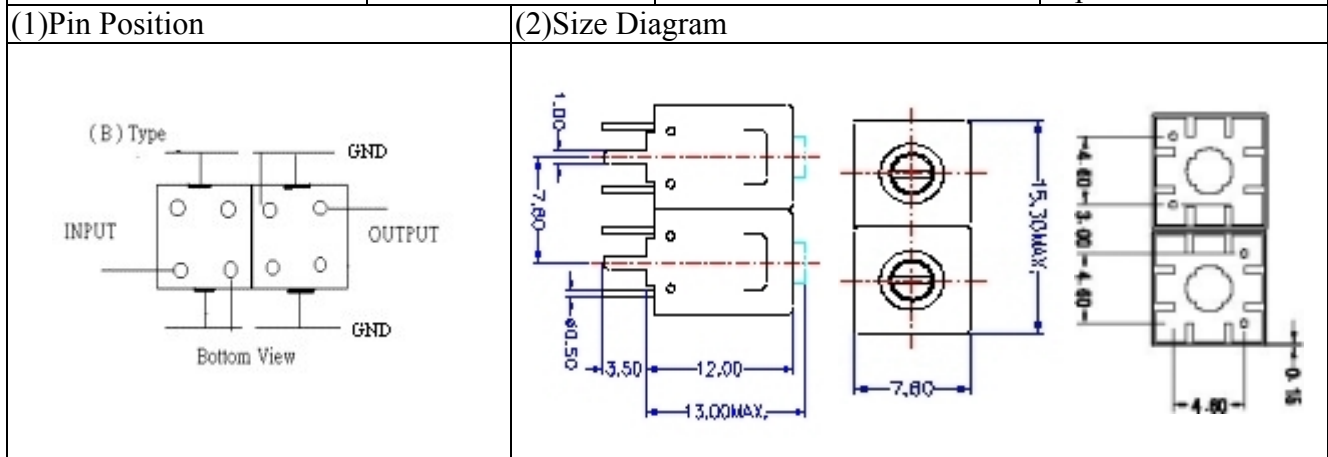


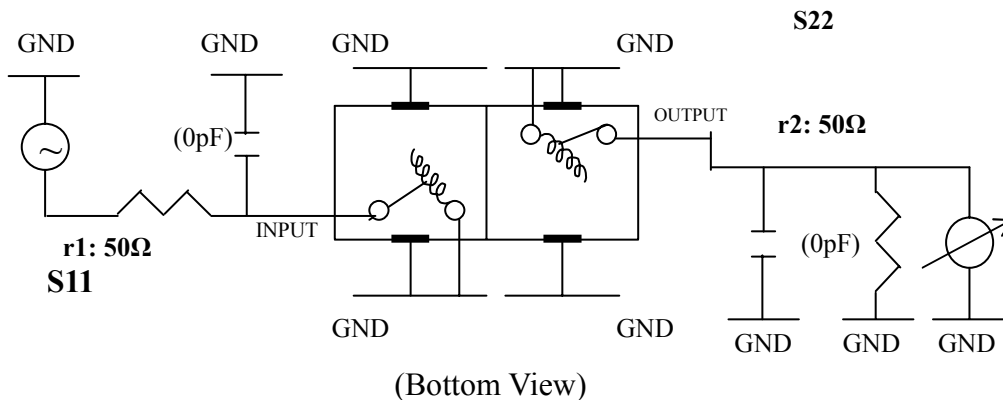
VHF UHF Helical Filter Specification Sheet

Customer Name		Temwell's Part No.	TD6790B-394M
Approval No. /dated	0709026APR	Temwell's Print Name.	6790B 394M
Work Instruction No.	0709026C	Date	Sep.13.2007



(3)Electric Charasteric	
Item	Specify
Center Freq.(Fo) +/- 0.5 %	394 MHz
Tunable Range:	394±4 MHz
Insertion Loss	Typ. 4 dB
-3 dB Bandwidth	Typ. 5 MHz
Sensitivity (Attenuation)	Fo - 50 MHz Typ. 38 dBc
	Fo + 50 MHz Typ. 36 dBc
	Fo - ()MHz Typ. dBc
	Fo +()MHz Typ. dBc
Return Loss	Min. 12 dB
Ripple	< 1 dB
Impedance	In / Out : 50 Ω
(4)Torque for Tuning Screw	> 100gf cm
(5)Temperature Condition:	
Operating Temperature	0 ~ +60
Storage Temperature	-20 ~ +70
(6)Input Power	> 1Watt

(7)Measuring Circuit: Easy to match Impedance 50Ω by parallel with about (0) pF.

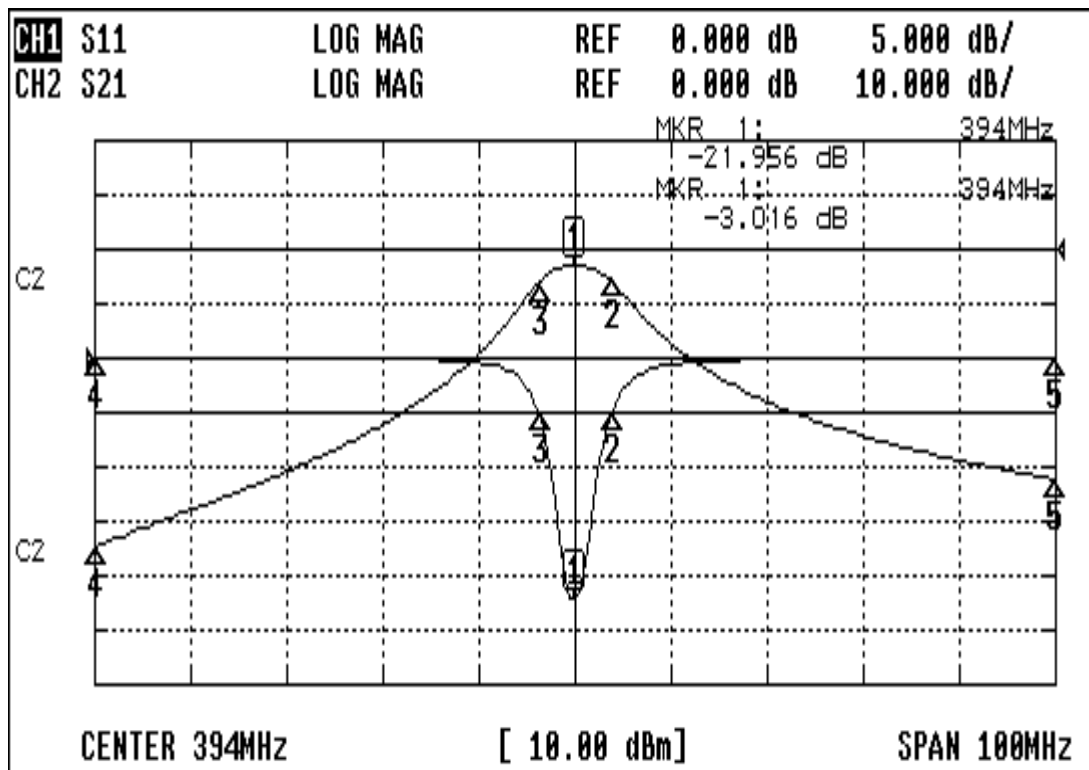


Approval	Supervisor	Designer	Aperture size
C.Y.Chang	C.S.Chang	P.H.Chiang	7H2S(4*4.65) 7H046LB4 聚 3

TEMWELL CORPORATION

Performance-TD6790B-394M

0709026C



CH1 MARKER LIST

1:	394.000MHz	-21.956 dB
2:	397.916MHz	-4.991 dB
3:	390.333MHz	-5.169 dB
4:	344.000MHz	0.021 dB
5:	444.000MHz	0.033 dB

CH2 MARKER LIST

1:	394.000MHz	-3.016 dB
2:	397.916MHz	-6.017 dB
3:	390.333MHz	-6.034 dB
4:	344.000MHz	-54.585 dB
5:	444.000MHz	-42.169 dB