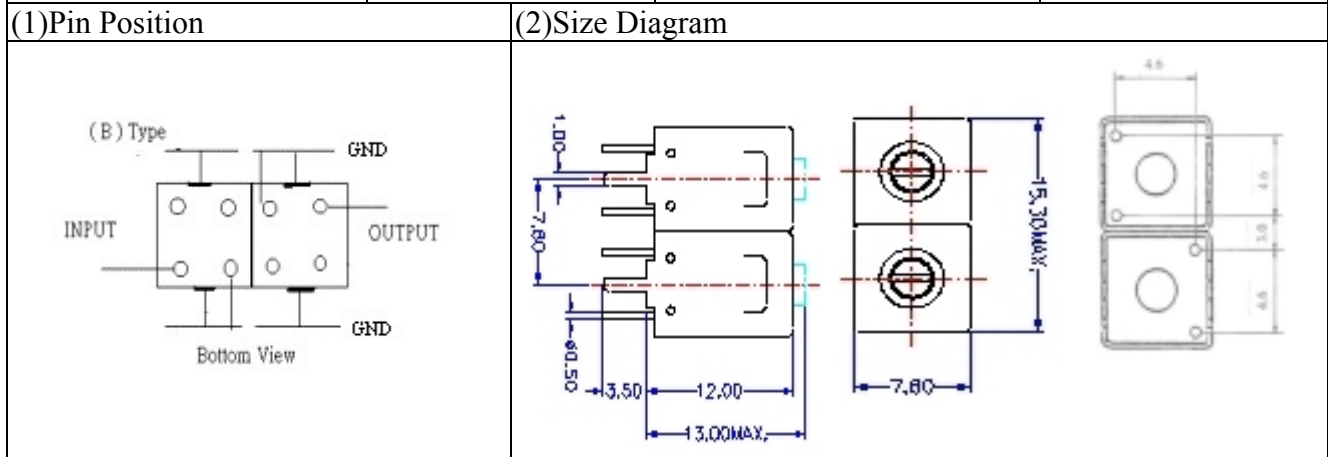


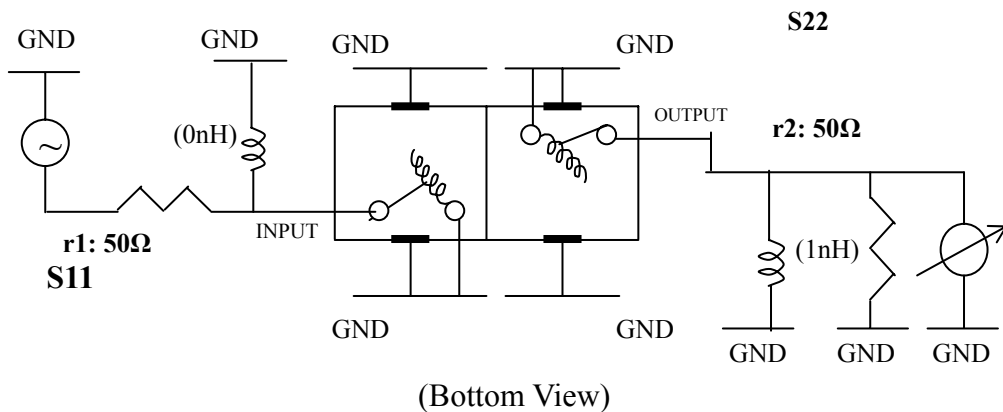
VHF UHF Helical Filter Specification Sheet

Customer Name		Temwell's Part No.	TD6790B-385M
Approval No. /dated		Customer's print name	6790B 385M
Work Instruction No.	20105038A	Date	Jun.05.2001



(3) Electric Characteristic	
Item	Specify
Center Freq.(Fo) +/- 0.5 %	385 MHz
Tunable Range	385±4 MHz
Insertion Loss	Typ. 2.5 dB
-1 dB Bandwidth	Typ. 10 MHz
-3 dB Bandwidth	Typ. 15 MHz
Sensitivity (Attenuation)	Fo - 50 MHz Typ. 15 dBc
	Fo + 50 MHz Typ. 15 dBc
	Fo - ()MHz Typ. dBc
	Fo +()MHz Typ. dBc
Return Loss	Min. 12 dB
Ripple	< 1 dB
Impedance	In / Out : 50 Ω
(4) Torque for Tuning Screw	
> 60gf cm	
(5) Temperature Condition:	
Operating Temperature	0 ~ +60
Storage Temperature	20 ~ +70
(6) Input Power	
> 1Watt	

(7) Measuring Circuit: Easy to match Impedance 50Ω/ by parallel with about (0)nH(1) nH.



Approval C. Y. Chang	Supervisor C.S.Chang	Designer P.H.C hiang	Aperture size 7H2(4*6.5)(6.59) 7H046LB4 聚 3
TEMWELL CORPORATION			

